

Varistor Type MYG

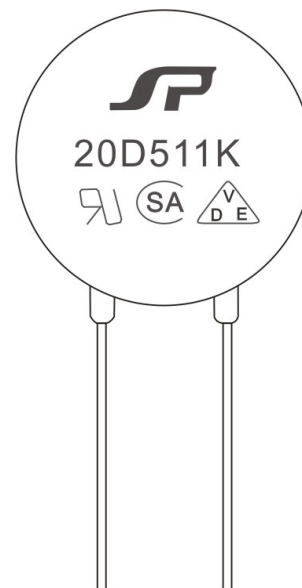
Type MYG Varistors are made of semiconductor ceramic materials composed mainly of zinc oxide. They have non-linear resistance that changes as a function of applied voltage. It has small size, high current capacity, and high protection level.

Features

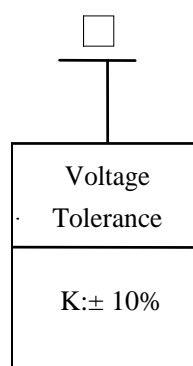
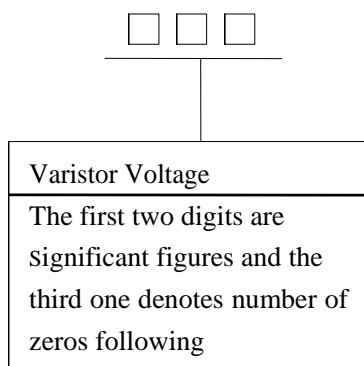
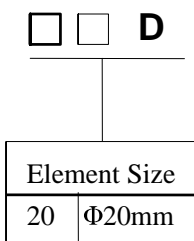
- > Wide Varistor voltage range (18V~1800V)
- > Excellent non-linearity and protection level
- > Large withstanding surge current
- > Fast response ($\leq 20\text{ns}$)

Recommended Applications

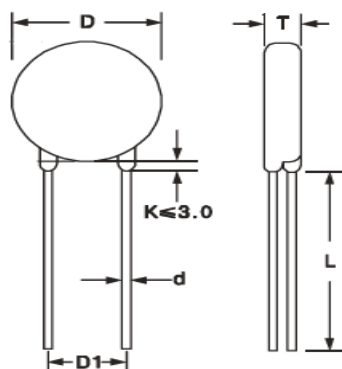
- > Protection of semiconductors
- > Surge protection of consumer equipment
- > Surge protection of communication, measuring or controller instrument
- > Relay or electromagnetic Valve surge absorption



Explanation of Part Numbers



Dimension



Range of voltage (V)	Dimensions(mm)				
	D max	T max	L min	d±0.1	D1± 1.0
18 - 68	23.0	4.1~5.5	25	1.0	10.0
82 - 1800	23.5	4.8~15.5	25	1.0	10.0

Specification and Electrical Characteristics

Part Number	Maximum Allowable Voltage		Maximum Energy	Withstanding Surge Current 8/20 μ s		Rated Wattage	Varistor Voltage	Maximum Clamping Voltage
	Acrms (V)	DC (V)	10/100 μ S (J)	1 time (A)	2times (A)	(W)	V _{1mA} (V)	V _{100A} (V)
20D182K	1000	1465	560.0	6500	4000	1.0	1800(1620-1980)	2970
20D152K	750	1300	420.0				1500(1350-1650)	2475
20D112K	680	895	280.0				1100(990-1210)	1815
20D102K	625	825	280.0				1000(900-1100)	1650
20D911K	550	745	280.0				910(819-1001)	1500
20D821K	510	670	266.0				820(738-902)	1355
20D781K	485	640	266.0				780(702-858)	1290
20D751K	460	615	266.0				750(675-825)	1240
20D681K	420	560	224.0				680(612-748)	1120
20D621K	385	505	224.0				620(558-682)	1025
20D561K	350	460	210.0				560(504-616)	920
20D511K	320	415	210.0				510(459-561)	845
* 20D471K	300	385	210.0				470(423-517)	775
20D431K	275	350	196.0				430(387-473)	710
20D391K	250	320	182.0				390(351-429)	650
20D361K	230	300	168.0				360(324-396)	595
20D331K	210	275	140.0				330(297-363)	550
20D301K	190	250	133.0				300(270-330)	505
* 20D271K	175	225	126.0				270(243-297)	455
20D241K	150	200	112.0				240(216-264)	395
20D221K	140	180	105.0				220(198-242)	360
20D201K	130	170	98.0				200(180-220)	330
20D181K	115	150	84.0				180(162-198)	300
20D151K	95	125	70.0				150(135-165)	250
20D121K	75	100	56.0	120(108-132)	200			
20D101K	60	85	42.0	100(90-110)	165			
* 20D820K	50	65	37.8	82(74-90)	135			
20D680K	40	56	23.8	68(61-75)	*135			
20D560K	35	45	19.6	56(50-62)	*110			
* 20D470K	30	38	16.8	47(42-52)	*93			
20D390K	25	31	13.2	39(35-43)	*77			
20D330K	20	26	11.2	33(30-36)	*65			
20D270K	17	22	9.1	27(24-30)	*53			
20D220K	14	18	7.4	22(20-24)	*43			
20D180K	11	14	6.1	18(15-21)	*38			

Note: 1、* Stand for commonly used models

2、Varistor voltage is measured at 0.1 mA for 05D, and at 1 mA for 07D, 10D, 14D, 20D, respectively.

3、Operating Temperature Range: $-40^{\circ}\text{C} \sim +85^{\circ}\text{C}$

Storage Temperature Range: $-40^{\circ}\text{C} \sim +125^{\circ}\text{C}$