

**W25X16, W25X16A, W25X32, W25X64**



***spiflash***<sup>®</sup>

**16M-BIT, 32M-BIT, AND 64M-BIT  
SERIAL FLASH MEMORY WITH  
4KB SECTORS AND DUAL OUTPUT SPI**



# W25X16, W25X16A, W25X32, W25X64



## Table of Contents

|        |                                                                           |    |
|--------|---------------------------------------------------------------------------|----|
| 1.     | GENERAL DESCRIPTION .....                                                 | 4  |
| 2.     | FEATURES .....                                                            | 4  |
| 3.     | PIN CONFIGURATION SOIC 150-MIL.....                                       | 5  |
| 4.     | PIN CONFIGURATION SOIC 208-MIL.....                                       | 5  |
| 5.     | PAD CONFIGURATION WSON 6X5-MM & 8X6-MM .....                              | 5  |
| 6.     | PIN CONFIGURATION PDIP 300-MIL .....                                      | 6  |
| 7.     | PIN DESCRIPTION SOIC 150 / 208-MIL, PDIP 300-MIL, WSON 6X5 / 8X6-MM ..... | 6  |
| 8.     | PIN CONFIGURATION SOIC 300-MIL.....                                       | 7  |
| 9.     | PIN DESCRIPTION SOIC 300-MIL .....                                        | 7  |
| 9.1    | Package Types .....                                                       | 8  |
| 9.2    | Chip Select (/CS) .....                                                   | 8  |
| 9.3    | Serial Data Output (DO) .....                                             | 8  |
| 9.4    | Write Protect (/WP).....                                                  | 8  |
| 9.5    | HOLD (/HOLD) .....                                                        | 8  |
| 9.6    | Serial Clock (CLK) .....                                                  | 8  |
| 9.7    | Serial Data Input / Output (DIO) .....                                    | 8  |
| 10.    | BLOCK DIAGRAM .....                                                       | 9  |
| 11.    | FUNCTIONAL DESCRIPTION .....                                              | 10 |
| 11.1   | SPI OPERATIONS .....                                                      | 10 |
| 11.1.1 | SPI Modes .....                                                           | 10 |
| 11.1.2 | Dual Output SPI.....                                                      | 10 |
| 11.1.3 | Hold Function .....                                                       | 10 |
| 11.2   | WRITE PROTECTION.....                                                     | 11 |
| 11.2.1 | Write Protect Features.....                                               | 11 |
| 12.    | CONTROL AND STATUS REGISTERS.....                                         | 12 |
| 12.1   | STATUS REGISTER .....                                                     | 12 |
| 12.1.1 | BUSY.....                                                                 | 12 |
| 12.1.2 | Write Enable Latch (WEL) .....                                            | 12 |
| 12.1.3 | Block Protect Bits (BP2, BP1, BP0).....                                   | 12 |
| 12.1.4 | Top/Bottom Block Protect (TB).....                                        | 12 |
| 12.1.5 | Reserved Bits .....                                                       | 12 |
| 12.1.6 | Status Register Protect (SRP).....                                        | 13 |
| 12.1.7 | Status Register Memory Protection .....                                   | 14 |
| 12.2   | INSTRUCTIONS.....                                                         | 16 |
| 12.2.1 | Manufacturer and Device Identification.....                               | 16 |

# W25X16, W25X16A, W25X32, W25X64



|         |                                                    |    |
|---------|----------------------------------------------------|----|
| 12.2.2  | Instruction Set.....                               | 17 |
| 12.2.3  | Write Enable (06h).....                            | 18 |
| 12.2.4  | Write Disable (04h).....                           | 18 |
| 12.2.5  | Read Status Register (05h) .....                   | 19 |
| 12.2.6  | Write Status Register (01h) .....                  | 20 |
| 12.2.7  | Read Data (03h).....                               | 21 |
| 12.2.8  | Fast Read (0Bh) .....                              | 22 |
| 12.2.9  | Fast Read Dual Output (3Bh) .....                  | 23 |
| 12.2.10 | Page Program (02h) .....                           | 24 |
| 12.2.11 | Sector Erase (20h) .....                           | 25 |
| 12.2.12 | Block Erase (D8h) .....                            | 26 |
| 12.2.13 | Chip Erase (C7h).....                              | 27 |
| 12.2.14 | Power-down (B9h).....                              | 28 |
| 12.2.15 | Release Power-down / Device ID (ABh) .....         | 29 |
| 12.2.16 | Read Manufacturer / Device ID (90h) .....          | 31 |
| 12.2.17 | JEDEC ID (9Fh).....                                | 32 |
| 13.     | ELECTRICAL CHARACTERISTICS.....                    | 33 |
| 13.1    | Absolute Maximum Ratings.....                      | 33 |
| 13.2    | Operating Ranges.....                              | 33 |
| 13.3    | Endurance and Data Retention .....                 | 34 |
| 13.4    | Power-up Timing and Write Inhibit Threshold .....  | 34 |
| 13.5    | DC Electrical Characteristics .....                | 35 |
| 13.6    | AC Measurement Conditions.....                     | 36 |
| 13.7    | AC Electrical Characteristics .....                | 37 |
| 13.8    | Serial Output Timing .....                         | 39 |
| 13.9    | Input Timing .....                                 | 39 |
| 13.10   | Hold Timing .....                                  | 39 |
| 14.     | PACKAGE SPECIFICATION .....                        | 40 |
| 14.1    | 8-Pin SOIC 150-mil (Package Code SN).....          | 40 |
| 14.2    | 8-Pin SOIC 208-mil (Package Code SS).....          | 41 |
| 14.3    | 8-Pin PDIP 300-mil (Package Code DA) .....         | 42 |
| 14.4    | 8-Contact 6x5mm WSON (Package Code ZP) .....       | 43 |
| 14.5    | 8-Contact 8x6mm WSON (Package Code ZE) .....       | 45 |
| 14.6    | 16-Pin SOIC 300-mil (Winbond Package Code SF)..... | 46 |
| 15.     | ORDERING INFORMATION .....                         | 47 |
| 16.     | REVISION HISTORY .....                             | 49 |

# W25X16, W25X16A, W25X32, W25X64



## 1. GENERAL DESCRIPTION

The W25X16/W25X16A (16M-bit), W25X32 (32M-bit), and W25X64 (64M-bit) Serial Flash memories provide a storage solution for systems with limited space, pins and power. The 25X series offers flexibility and performance well beyond ordinary Serial Flash devices. They are ideal for code download applications as well as storing voice, text and data. The devices operate on a single 2.7V to 3.6V power supply with current consumption as low as 5mA active and 1µA for power-down. All devices are offered in space-saving packages.

The W25X16/16A/32/64 array is organized into 8,192/16,384/32,768 programmable pages of 256-bytes each. Up to 256 bytes can be programmed at a time using the Page Program instruction. Pages can be erased in groups of 16 (sector erase), groups of 256 (block erase) or the entire chip (chip erase). The W25X16/16A/32/64 has 512/1024/2048 erasable sectors and 32/64/128 erasable blocks respectively. The small 4KB sectors allow for greater flexibility in applications that require data and parameter storage. (See figure 2.)

The W25X16/16A/32/64 supports the standard Serial Peripheral Interface (SPI), and a high performance dual output SPI using four pins: Serial Clock, Chip Select, Serial Data I/O and Serial Data Out. SPI clock frequencies of up to 75MHz are supported allowing equivalent clock rates of 150MHz when using the Fast Read Dual Output instruction. These transfer rates are comparable to those of 8 and 16-bit Parallel Flash memories.

A Hold pin, Write Protect pin and programmable write protect, with top or bottom array control features, provide further control flexibility. Additionally, the device supports JEDEC standard manufacturer and device identification.

## 2. FEATURES

- **Family of Serial Flash Memories**
    - W25X16/16A: 16M-bit/2M-byte (2,097,152)
    - W25X32: 32M-bit / 4M-byte (4,194,304)
    - W25X64: 64M-bit / 8M-byte (8,388,608)
    - 256-bytes per programmable page
    - Uniform 4K-byte Sectors / 64K-byte Blocks
  - **SPI with Single or Dual Outputs**
    - Clock, Chip Select, Data I/O, Data Out
    - Optional Hold function for SPI flexibility
  - **Data Transfer up to 150M-bits / second**
    - Clock operation to 75MHz
    - Fast Read Dual Output instruction
    - Auto-increment Read capability
  - **Flexible Architecture with 4KB sectors**
    - Sector Erase (4K-bytes)
    - Block Erase (64K-byte)
    - Page program up to 256 bytes <2ms
    - Minimum 100,000 erase/write cycles
    - 20-year retention
  - **Low Power Consumption, Wide Temperature Range**
    - Single 2.7 to 3.6V supply\*
    - 5mA active current, 1µA Power-down (typ)
    - -40° to +85°C operating range
  - **Software and Hardware Write Protection**
    - Write-Protect all or portion of memory
    - Enable/Disable protection with /WP pin
    - Top or bottom array protection
  - **Space Efficient Packaging**
    - 8-pin SOIC 150-mil (X16A)
    - 8-pin SOIC 208-mil (X16/16A, X32)
    - 8-pin PDIP 300-mil (X16/16A, X32, X64)
    - 16-pin SOIC 300-mil (X16/16A, X32, X64)
    - 8-pad WSON 6x5-mm (X16/16A)
    - 8-pad WSON 8x6-mm (X32, X64)
- \* Single 2.3V to 3.6V supply for W25X16AL

# W25X16, W25X16A, W25X32, W25X64



## 3. PIN CONFIGURATION SOIC 150-MIL

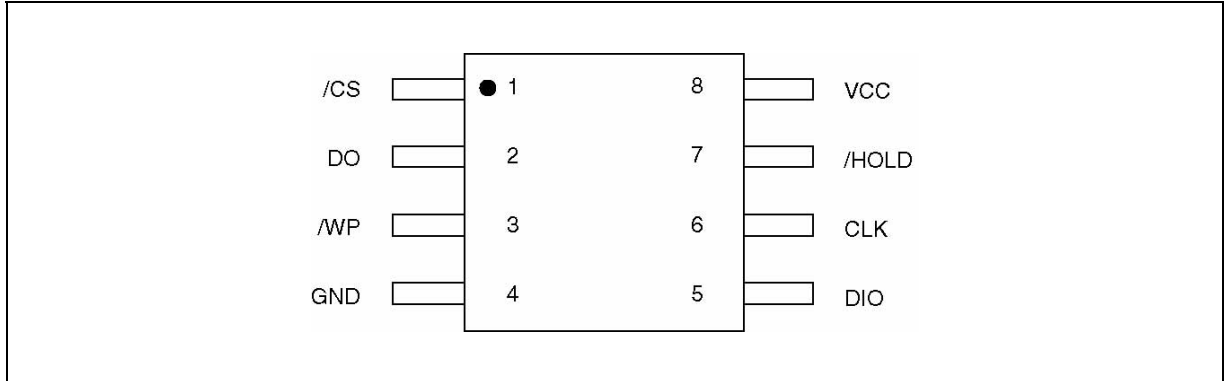


Figure 1a. W25X16A Pin Assignments, 8-pin SOIC (Package Code SN)

## 4. PIN CONFIGURATION SOIC 208-MIL

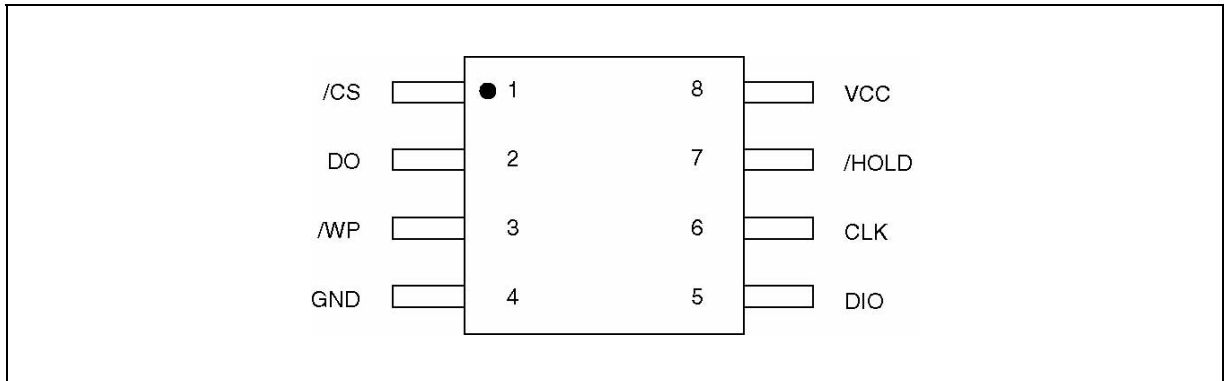


Figure 1b. W25X16/16A and W25X32 Pin Assignments, 8-pin SOIC (Package Code SS)

## 5. PAD CONFIGURATION WSON 6X5-MM & 8X6-MM

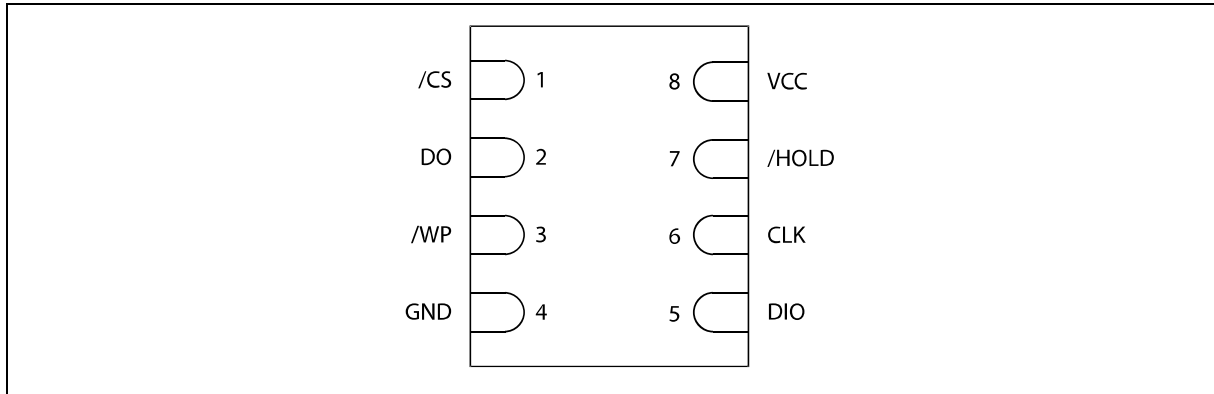


Figure 1c. W25X16/16A/32/64 Pad Assignments, 8-pad WSON 6x5-mm, 8x6-mm (Package Code ZP, ZE)

# W25X16, W25X16A, W25X32, W25X64



## 6. PIN CONFIGURATION PDIP 300-MIL

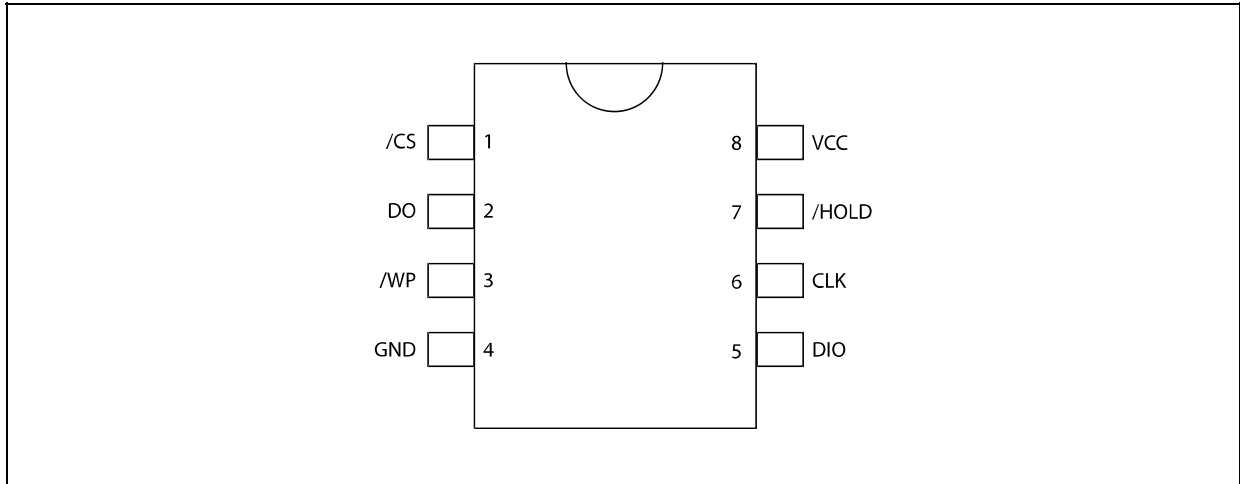


Figure 1d. W25X16/16A, W25X32, W25X64 Pin Assignments, 8-pin PDIP (Package Code DA)

## 7. PIN DESCRIPTION SOIC 150 / 208-MIL, PDIP 300-MIL, WSON 6X5 / 8X6-MM

| PIN NO. | PIN NAME | I/O | FUNCTION            |
|---------|----------|-----|---------------------|
| 1       | /CS      | I   | Chip Select Input   |
| 2       | DO       | O   | Data Output         |
| 3       | /WP      | I   | Write Protect Input |
| 4       | GND      |     | Ground              |
| 5       | DIO      | I/O | Data Input / Output |
| 6       | CLK      | I   | Serial Clock Input  |
| 7       | /HOLD    | I   | Hold Input          |
| 8       | VCC      |     | Power Supply        |

# W25X16, W25X16A, W25X32, W25X64



## 8. PIN CONFIGURATION SOIC 300-MIL

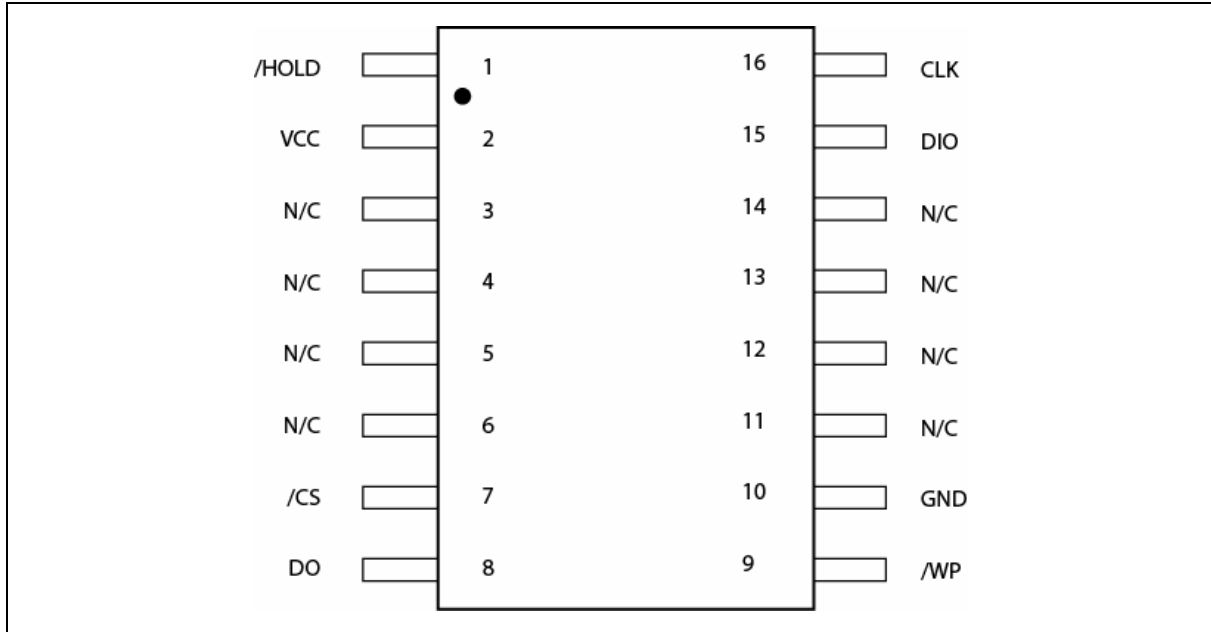


Figure 1e. W25X16/16A, W25X32 and W25X64 Pin Assignments, 16-pin SOIC 300-mil (Package Code SF)

## 9. PIN DESCRIPTION SOIC 300-MIL

| PIN NO. | PIN NAME | I/O | FUNCTION            |
|---------|----------|-----|---------------------|
| 1       | /HOLD    | I   | Hold Input          |
| 2       | VCC      |     | Power Supply        |
| 3       | N/C      |     | No Connect          |
| 4       | N/C      |     | No Connect          |
| 5       | N/C      |     | No Connect          |
| 6       | N/C      |     | No Connect          |
| 7       | /CS      | I   | Chip Select Input   |
| 8       | DO       | O   | Data Output         |
| 9       | /WP      | I   | Write Protect Input |
| 10      | GND      |     | Ground              |
| 11      | N/C      |     | No Connect          |
| 12      | N/C      |     | No Connect          |
| 13      | N/C      |     | No Connect          |
| 14      | N/C      |     | No Connect          |
| 15      | DIO      | I/O | Data Input / Output |
| 16      | CLK      | I   | Serial Clock Input  |

# W25X16, W25X16A, W25X32, W25X64



## 9.1 Package Types

At the time this datasheet was published not all package types had been finalized. Contact Winbond to confirm availability of these packages before designing to this specification. W25X16A is offered in an 8-pin plastic 150-mil width SOIC (package code SN). W25X16/16A and W25X32 are offered in an 8-pin plastic 208-mil width SOIC (package code SS). The W25X16/16A in 6x5-mm WSON (package code ZP) and 25X32 and 25X64 in 8x6-mm WSON (package code ZE). The 25X16/16A, W25X32 and W25X64 are offered in 16-pin plastic 300-mil width SOIC (package code SF) and 300-mil DIP (package code DA). See figures 1a-e. Package diagrams and dimensions are illustrated at the end of this datasheet.

## 9.2 Chip Select (/CS)

The SPI Chip Select (/CS) pin enables and disables device operation. When /CS is high the device is deselected and the Serial Data Output (DO) pin is at high impedance. When deselected, the device's power consumption will be at standby levels unless an internal erase, program or status register cycle is in progress. When /CS is brought low the device will be selected, power consumption will increase to active levels and instructions can be written to and data read from the device. After power-up, /CS must transition from high to low before a new instruction will be accepted. The /CS input must track the VCC supply level at power-up (see "Write Protection" and figure 20). If needed a pull-up resistor on /CS can be used to accomplish this.

## 9.3 Serial Data Output (DO)

The SPI Serial Data Output (DO) pin provides a means for data and status to be serially read from (shifted out of) the device. Data is shifted out on the falling edge of the Serial Clock (CLK) input pin.

## 9.4 Write Protect (/WP)

The Write Protect (/WP) pin can be used to prevent the Status Register from being written. Used in conjunction with the Status Register's Block Protect (BP2, BP1, and BP0) bits and Status Register Protect (SRP) bits, a portion or the entire memory array can be hardware protected. The /WP pin is active low.

## 9.5 HOLD (/HOLD)

The /HOLD pin allows the device to be paused while it is actively selected. When /HOLD is brought low, while /CS is low, the DO pin will be at high impedance and signals on the DIO and CLK pins will be ignored (don't care). When /HOLD is brought high, device operation can resume. The /HOLD function can be useful when multiple devices are sharing the same SPI signals. ("See Hold function")

## 9.6 Serial Clock (CLK)

The SPI Serial Clock Input (CLK) pin provides the timing for serial input and output operations. ("See SPI Operations")

## 9.7 Serial Data Input / Output (DIO)

The SPI Serial Data Input/Output (DIO) pin provides a means for instructions, addresses and data to be serially written to (shifted into) the device. Data is latched on the rising edge of the Serial Clock (CLK) input pin. The DIO pin is also used as an output when the Fast Read Dual Output instruction is executed.



# W25X16, W25X16A, W25X32, W25X64



## 10. BLOCK DIAGRAM

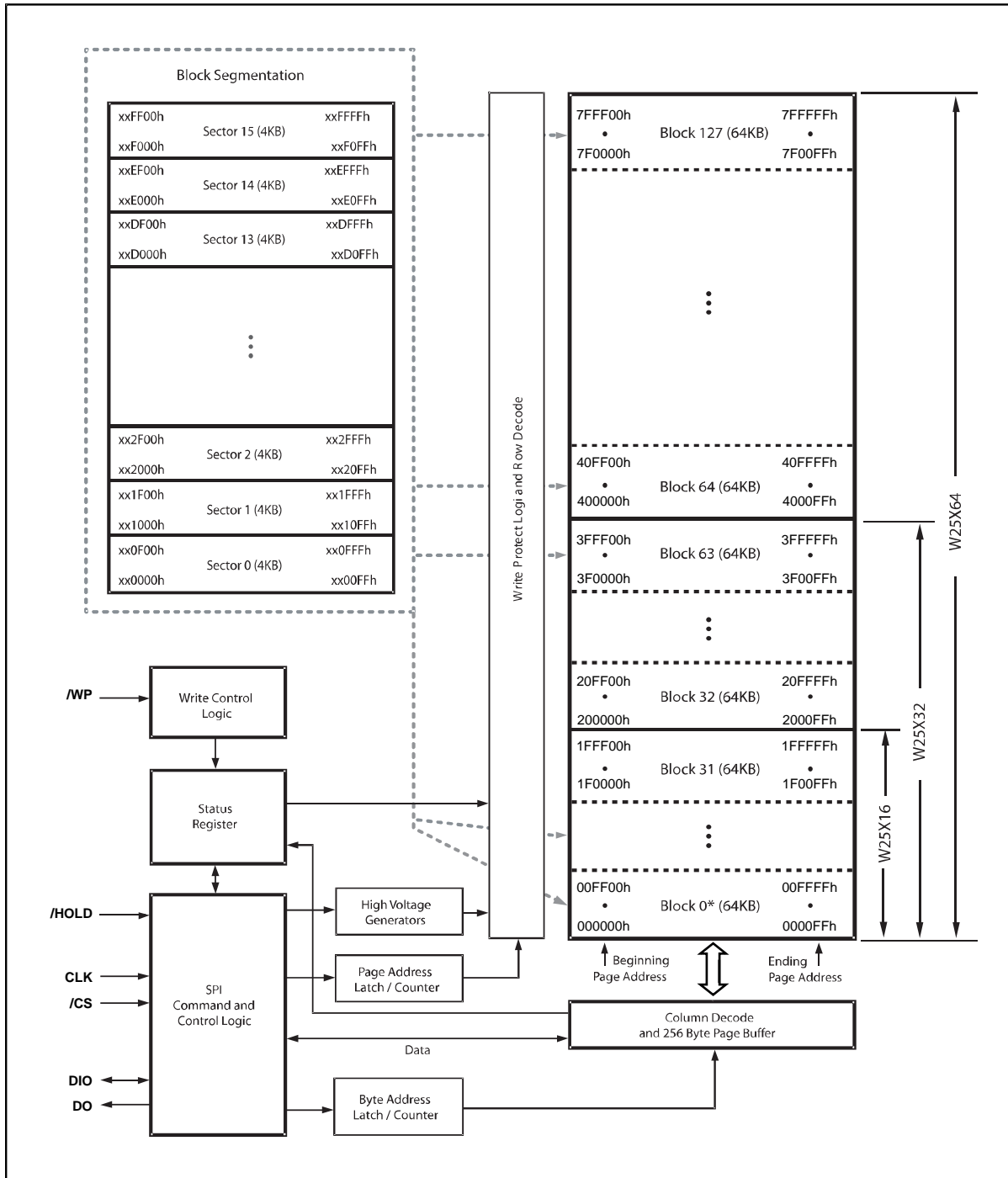


Figure 2. W25X16/16A, W25X32 and W25X64 Block Diagram

# W25X16, W25X16A, W25X32, W25X64



## 11. FUNCTIONAL DESCRIPTION

### 11.1 SPI OPERATIONS

#### 11.1.1 SPI Modes

The W25X16/16A/32/64 is accessed through an SPI compatible bus consisting of four signals: Serial Clock (CLK), Chip Select (/CS), Serial Data Input/Output (DIO) and Serial Data Output (DO). Both SPI bus operation Modes 0 (0,0) and 3 (1,1) are supported. The primary difference between Mode 0 and Mode 3 concerns the normal state of the CLK signal when the SPI bus master is in standby and data is not being transferred to the Serial Flash. For Mode 0 the CLK signal is normally low. For Mode 3 the CLK signal is normally high. In either case data input on the DIO pin is sampled on the rising edge of the CLK. Data on the DO and DIO pins are clocked out on the falling edge of CLK.

#### 11.1.2 Dual Output SPI

The W25X16/16A/32/64 supports Dual output operation when using the "Fast Read with Dual Output" (3B hex) instruction. This feature allows data to be transferred from the Serial Flash memory at twice the rate possible with the standard SPI. This instruction is ideal for quickly downloading code from Flash to RAM upon power-up (code-shadowing) or for applications that cache code-segments to RAM for execution. The Dual output feature simply allows the SPI input pin to also serve as an output during this instruction. All other operations use the standard SPI interface with single output signal.

#### 11.1.3 Hold Function

The /HOLD signal allows the W25X16/16A/32/64 operation to be paused while it is actively selected (when /CS is low). The /HOLD function may be useful in cases where the SPI data and clock signals are shared with other devices. For example, consider if the page buffer was only partially written when a priority interrupt requires use of the SPI bus. In this case the /HOLD function can save the state of the instruction and the data in the buffer so programming can resume where it left off once the bus is available again.

To initiate a /HOLD condition, the device must be selected with /CS low. A /HOLD condition will activate on the falling edge of the /HOLD signal if the CLK signal is already low. If the CLK is not already low the /HOLD condition will activate after the next falling edge of CLK. The /HOLD condition will terminate on the rising edge of the /HOLD signal if the CLK signal is already low. If the CLK is not already low the /HOLD condition will terminate after the next falling edge of CLK.

During a /HOLD condition, the Serial Data Output (DO) is high impedance, and Serial Data Input/Output (DIO) and Serial Clock (CLK) are ignored. The Chip Select (/CS) signal should be kept active (low) for the full duration of the /HOLD operation to avoid resetting the internal logic state of the device.

# W25X16, W25X16A, W25X32, W25X64



## 11.2 WRITE PROTECTION

Applications that use non-volatile memory must take into consideration the possibility of noise and other adverse system conditions that may compromise data integrity. To address this concern the W25X16/16A/32/64 provides several means to protect data from inadvertent writes.

### 11.2.1 Write Protect Features

- Device resets when VCC is below threshold.
- Time delay write disable after Power-up.
- Write enable/disable instructions.
- Automatic write disable after program and erase.
- Software write protection using Status Register.
- Hardware write protection using Status Register and /WP pin.
- Write Protection using Power-down instruction.

Upon power-up or at power-down the W25X16/16A/32/64 will maintain a reset condition while VCC is below the threshold value of  $V_{WI}$ , (See Power-up Timing and Voltage Levels and Figure 20). While reset, all operations are disabled and no instructions are recognized. During power-up and after the VCC voltage exceeds  $V_{WI}$ , all program and erase related instructions are further disabled for a time delay of  $t_{PUW}$ . This includes the Write Enable, Page Program, Sector Erase, Block Erase, Chip Erase and the Write Status Register instructions. Note that the chip select pin (/CS) must track the VCC supply level at power-up until the VCC-min level and  $t_{VSL}$  time delay is reached. If needed a pull-up resistor on /CS can be used to accomplish this.

After power-up the device is automatically placed in a write-disabled state with the Status Register Write Enable Latch (WEL) set to a 0. A Write Enable instruction must be issued before a Page Program, Sector Erase, Chip Erase or Write Status Register instruction will be accepted. After completing a program, erase or write instruction the Write Enable Latch (WEL) is automatically cleared to a write-disabled state of 0.

Software controlled write protection is facilitated using the Write Status Register instruction and setting the Status Register Protect (SRP) and Block Protect (TB, BP2, BP1, and BP0) bits. These Status Register bits allow a portion or all of the memory to be configured as read only. Used in conjunction with the Write Protect (/WP) pin, changes to the Status Register can be enabled or disabled under hardware control. See Status Register for further information.

Additionally, the Power-down instruction offers an extra level of write protection as all instructions are ignored except for the Release Power-down instruction.

# W25X16, W25X16A, W25X32, W25X64



## 12. CONTROL AND STATUS REGISTERS

The Read Status Register instruction can be used to provide status on the availability of the Flash memory array, if the device is write enabled or disabled, and the state of write protection. The Write Status Register instruction can be used to configure the devices write protection features. See Figure 3.

### 12.1 STATUS REGISTER

#### 12.1.1 BUSY

BUSY is a read only bit in the status register (S0) that is set to a 1 state when the device is executing a Page Program, Sector Erase, Block Erase, Chip Erase or Write Status Register instruction. During this time the device will ignore further instructions except for the Read Status Register instruction (see *tw*, *tPP*, *tSE*, *tBE*, and *tCE* in AC Characteristics). When the program, erase or write status register instruction has completed, the BUSY bit will be cleared to a 0 state indicating the device is ready for further instructions.

#### 12.1.2 Write Enable Latch (WEL)

Write Enable Latch (WEL) is a read only bit in the status register (S1) that is set to a 1 after executing a Write Enable Instruction. The WEL status bit is cleared to a 0 when the device is write disabled. A write disable state occurs upon power-up or after any of the following instructions: Write Disable, Page Program, Sector Erase, Block Erase, Chip Erase and Write Status Register.

#### 12.1.3 Block Protect Bits (BP2, BP1, BP0)

The Block Protect Bits (BP2, BP1, and BP0) are non-volatile read/write bits in the status register (S4, S3, and S2) that provide Write Protection control and status. Block Protect bits can be set using the Write Status Register Instruction (see *tw* in AC characteristics). All, none or a portion of the memory array can be protected from Program and Erase instructions (see Status Register Memory Protection table). The factory default setting for the Block Protection Bits is 0, none of the array protected. The Block Protect bits can not be written to if the Status Register Protect (SRP) bit is set to 1 and the Write Protect (/WP) pin is low.

#### 12.1.4 Top/Bottom Block Protect (TB)

The Top/Bottom bit (TB) controls if the Block Protect Bits (BP2, BP1, BP0) protect from the Top (TB=0) or the Bottom (TB=1) of the array as shown in the Status Register Memory Protection table. The TB bit is non-volatile and the factory default setting is TB=0. The TB bit can be set with the Write Status Register Instruction provided that the Write Enable instruction has been issued. The TB bit can not be written to if the Status Register Protect (SRP) bit is set to 1 and the Write Protect (/WP) pin is low.

#### 12.1.5 Reserved Bits

Status register bit location S6 is reserved for future use. Current devices will read 0 for this bit location. It is recommended to mask out the reserved bit when testing the Status Register. Doing this will ensure compatibility with future devices.

# W25X16, W25X16A, W25X32, W25X64



## 12.1.6 Status Register Protect (SRP)

The Status Register Protect (SRP) bit is a non-volatile read/write bit in status register (S7) that can be used in conjunction with the Write Protect (/WP) pin to disable writes to status register. When the SRP bit is set to a 0 state (factory default) the /WP pin has no control over status register. When the SRP pin is set to a 1, the Write Status Register instruction is locked out while the /WP pin is low. When the /WP pin is high the Write Status Register instruction is allowed.

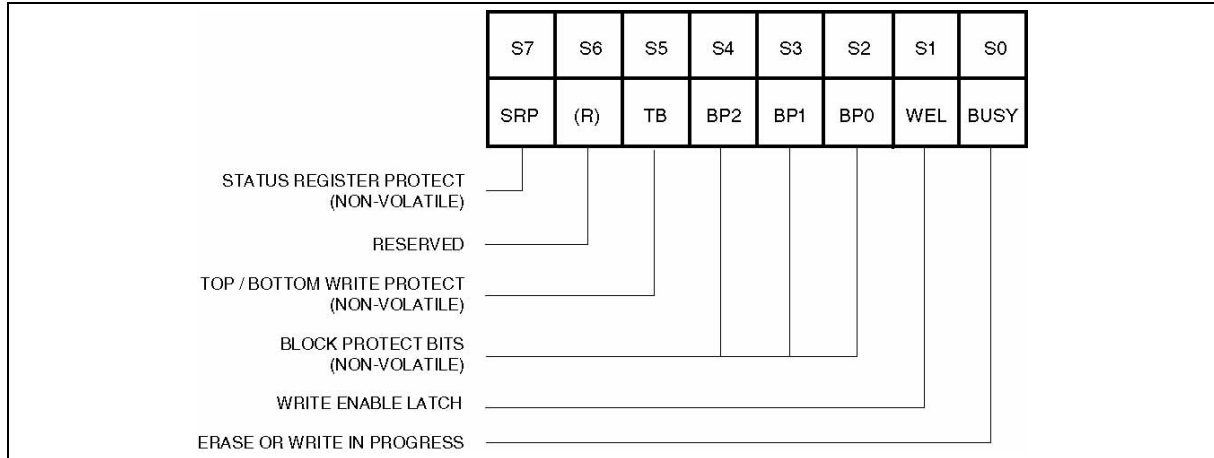


Figure 3. Status Register Bit Locations

# W25X16, W25X16A, W25X32, W25X64



## 12.1.7 Status Register Memory Protection

| STATUS REGISTER <sup>(1)</sup> |     |     |     | W25X64 (64M-BIT) MEMORY PROTECTION |                    |         |            |
|--------------------------------|-----|-----|-----|------------------------------------|--------------------|---------|------------|
| TB                             | BP2 | BP1 | BP0 | BLOCK(S)                           | ADDRESSES          | DENSITY | PORTION    |
| x                              | 0   | 0   | 0   | NONE                               | NONE               | NONE    | NONE       |
| 0                              | 0   | 0   | 1   | 126 and 127                        | 7E0000h - 7FFFFFFh | 128KB   | Upper 1/64 |
| 0                              | 0   | 1   | 0   | 124 and 127                        | 7C0000h - 7FFFFFFh | 256KB   | Upper 1/32 |
| 0                              | 0   | 1   | 1   | 120 thru 127                       | 780000h - 7FFFFFFh | 512KB   | Upper 1/16 |
| 0                              | 1   | 0   | 0   | 112 thru 127                       | 700000h - 7FFFFFFh | 1MB     | Upper 1/8  |
| 0                              | 1   | 0   | 1   | 96 thru 127                        | 600000h - 7FFFFFFh | 2MB     | Upper 1/4  |
| 0                              | 1   | 1   | 0   | 64 thru 127                        | 400000h - 7FFFFFFh | 4MB     | Upper 1/2  |
| 1                              | 0   | 0   | 1   | 0 and 1                            | 000000h - 01FFFFh  | 128KB   | Lower 1/64 |
| 1                              | 0   | 1   | 0   | 0 thru 3                           | 000000h - 03FFFFh  | 256KB   | Lower 1/32 |
| 1                              | 0   | 1   | 1   | 0 thru 7                           | 000000h - 07FFFFh  | 512KB   | Lower 1/16 |
| 1                              | 1   | 0   | 0   | 0 thru 15                          | 000000h - 0FFFFFFh | 1MB     | Lower 1/8  |
| 1                              | 1   | 0   | 1   | 0 thru 31                          | 000000h - 1FFFFFFh | 2MB     | Lower 1/4  |
| 1                              | 1   | 1   | 0   | 0 thru 63                          | 000000h - 3FFFFFFh | 4MB     | Lower 1/2  |
| x                              | 1   | 1   | 1   | 0 thru 127                         | 000000h - 7FFFFFFh | 8MB     | ALL        |

| STATUS REGISTER <sup>(1)</sup> |     |     |     | W25X32 (32M-BIT) MEMORY PROTECTION |                    |         |            |
|--------------------------------|-----|-----|-----|------------------------------------|--------------------|---------|------------|
| TB                             | BP2 | BP1 | BP0 | BLOCK(S)                           | ADDRESSES          | DENSITY | PORTION    |
| x                              | 0   | 0   | 0   | NONE                               | NONE               | NONE    | NONE       |
| 0                              | 0   | 0   | 1   | 63                                 | 3F0000h - 3FFFFFFh | 64KB    | Upper 1/64 |
| 0                              | 0   | 1   | 0   | 62 and 63                          | 3E0000h - 3FFFFFFh | 128KB   | Upper 1/32 |
| 0                              | 0   | 1   | 1   | 60 thru 63                         | 3C0000h - 3FFFFFFh | 256KB   | Upper 1/16 |
| 0                              | 1   | 0   | 0   | 56 thru 63                         | 380000h - 3FFFFFFh | 512KB   | Upper 1/8  |
| 0                              | 1   | 0   | 1   | 48 thru 63                         | 300000h - 3FFFFFFh | 1MB     | Upper 1/4  |
| 0                              | 1   | 1   | 0   | 32 thru 63                         | 200000h - 3FFFFFFh | 2MB     | Upper 1/2  |
| 1                              | 0   | 0   | 1   | 0                                  | 000000h - 00FFFFh  | 64KB    | Lower 1/64 |
| 1                              | 0   | 1   | 0   | 0 and 1                            | 000000h - 01FFFFh  | 128KB   | Lower 1/32 |
| 1                              | 0   | 1   | 1   | 0 thru 3                           | 000000h - 03FFFFh  | 256KB   | Lower 1/16 |
| 1                              | 1   | 0   | 0   | 0 thru 7                           | 000000h - 07FFFFh  | 512KB   | Lower 1/8  |
| 1                              | 1   | 0   | 1   | 0 thru 15                          | 000000h - 0FFFFFFh | 1MB     | Lower 1/4  |
| 1                              | 1   | 1   | 0   | 0 thru 31                          | 000000h - 1FFFFFFh | 2MB     | Lower 1/2  |
| x                              | 1   | 1   | 1   | 0 thru 63                          | 000000h - 3FFFFFFh | 4MB     | ALL        |

# W25X16, W25X16A, W25X32, W25X64



| STATUS REGISTER <sup>(1)</sup> |     |     |     | W25X16/16A (16M-BIT) MEMORY PROTECTION |                    |         |            |
|--------------------------------|-----|-----|-----|----------------------------------------|--------------------|---------|------------|
| TB                             | BP2 | BP1 | BP0 | BLOCK(S)                               | ADDRESSES          | DENSITY | PORTION    |
| x                              | 0   | 0   | 0   | NONE                                   | NONE               | NONE    | NONE       |
| 0                              | 0   | 0   | 1   | 31                                     | 1F0000h - 1FFFFFFh | 64KB    | Upper 1/32 |
| 0                              | 0   | 1   | 0   | 30 and 31                              | 1E0000h - 1FFFFFFh | 128KB   | Upper 1/16 |
| 0                              | 0   | 1   | 1   | 28 thru 31                             | 1C0000h - 1FFFFFFh | 256KB   | Upper 1/8  |
| 0                              | 1   | 0   | 0   | 24 thru 31                             | 180000h - 1FFFFFFh | 512KB   | Upper 1/4  |
| 0                              | 1   | 0   | 1   | 16 thru 31                             | 100000h - 1FFFFFFh | 1MB     | Upper 1/2  |
| 1                              | 0   | 0   | 1   | 0                                      | 000000h - 00FFFFh  | 64KB    | Lower 1/32 |
| 1                              | 0   | 1   | 0   | 0 and 1                                | 000000h - 01FFFFh  | 128KB   | Lower 1/16 |
| 1                              | 0   | 1   | 1   | 0 thru 3                               | 000000h - 03FFFFh  | 256KB   | Lower 1/8  |
| 1                              | 1   | 0   | 0   | 0 thru 7                               | 000000h - 07FFFFh  | 512KB   | Lower 1/4  |
| 1                              | 1   | 0   | 1   | 0 thru 15                              | 000000h - 0FFFFFFh | 1MB     | Lower 1/2  |
| x                              | 1   | 1   | x   | 0 thru 31                              | 000000h - 1FFFFFFh | 2MB     | ALL        |

**Note:**

1. x = don't care

# W25X16, W25X16A, W25X32, W25X64



## 12.2 INSTRUCTIONS

The instruction set of the W25X16/16A/32/64 consists of fifteen basic instructions that are fully controlled through the SPI bus (see Instruction Set table). Instructions are initiated with the falling edge of Chip Select (/CS). The first byte of data clocked into the DIO input provides the instruction code. Data on the DIO input is sampled on the rising edge of clock with most significant bit (MSB) first.

Instructions vary in length from a single byte to several bytes and may be followed by address bytes, data bytes, dummy bytes (don't care), and in some cases, a combination. Instructions are completed with the rising edge of edge /CS. Clock relative timing diagrams for each instruction are included in figures 4 through 19. All read instructions can be completed after any clocked bit. However, all instructions that Write, Program or Erase must complete on a byte boundary (CS driven high after a full 8-bits have been clocked) otherwise the instruction will be terminated. This feature further protects the device from inadvertent writes. Additionally, while the memory is being programmed or erased, or when the Status Register is being written, all instructions except for Read Status Register will be ignored until the program or erase cycle has completed.

### 12.2.1 Manufacturer and Device Identification

|                        |                  |                   |
|------------------------|------------------|-------------------|
| <b>MANUFACTURER ID</b> | <b>(M7-M0)</b>   |                   |
| Winbond Serial Flash   | EFH              |                   |
|                        |                  |                   |
| <b>Device ID</b>       | <b>(ID7-ID0)</b> | <b>(ID15-ID0)</b> |
| <b>Instruction</b>     | <b>ABh, 90h</b>  | <b>9Fh</b>        |
| W25X16/16A             | 14h              | 3015h             |
| W25X32                 | 15h              | 3016h             |
| W25X64                 | 16h              | 3017h             |



# W25X16, W25X16A, W25X32, W25X64



## 12.2.2 Instruction Set <sup>(1)</sup>

| INSTRUCTION NAME                       | BYTE 1 CODE | BYTE 2                 | BYTE 3                 | BYTE 4             | BYTE 5                   | BYTE 6                                   | N-BYTES                             |
|----------------------------------------|-------------|------------------------|------------------------|--------------------|--------------------------|------------------------------------------|-------------------------------------|
| Write Enable                           | 06h         |                        |                        |                    |                          |                                          |                                     |
| Write Disable                          | 04h         |                        |                        |                    |                          |                                          |                                     |
| Read Status Register                   | 05h         | (S7-S0) <sup>(1)</sup> |                        |                    |                          |                                          | <sup>(2)</sup>                      |
| Write Status Register                  | 01h         | S7-S0                  |                        |                    |                          |                                          |                                     |
| Read Data                              | 03h         | A23-A16                | A15-A8                 | A7-A0              | (D7-D0)                  | (Next byte)                              | continuous                          |
| Fast Read                              | 0Bh         | A23-A16                | A15-A8                 | A7-A0              | dummy                    | (D7-D0)                                  | (Next Byte) continuous              |
| Fast Read Dual Output                  | 3Bh         | A23-A16                | A15-A8                 | A7-A0              | dummy                    | I/O = (D6,D4,D2,D0)<br>O = (D7,D5,D3,D1) | (one byte per 4 clocks, continuous) |
| Page Program                           | 02h         | A23-A16                | A15-A8                 | A7-A0              | (D7-D0)                  | (Next byte)                              | Up to 256 bytes                     |
| Block Erase (64KB)                     | D8h         | A23-A16                | A15-A8                 | A7-A0              |                          |                                          |                                     |
| Sector Erase (4KB)                     | 20h         | A23-A16                | A15-A8                 | A7-A0              |                          |                                          |                                     |
| Chip Erase                             | C7h         |                        |                        |                    |                          |                                          |                                     |
| Power-down                             | B9h         |                        |                        |                    |                          |                                          |                                     |
| Release Power-down / Device ID         | ABh         | dummy                  | dummy                  | dummy              | (ID7-ID0) <sup>(4)</sup> |                                          |                                     |
| Manufacturer/ Device ID <sup>(3)</sup> | 90h         | dummy                  | dummy                  | 00h                | (M7-M0)                  | (ID7-ID0)                                |                                     |
| JEDEC ID                               | 9Fh         | (M7-M0) Manufacturer   | (ID15-ID8) Memory Type | (ID7-ID0) Capacity |                          |                                          |                                     |

### Notes:

1. Data bytes are shifted with Most Significant Bit first. Byte fields with data in parenthesis "( )" indicate data being read from the device on the DO pin.
2. The Status Register contents will repeat continuously until /CS terminates the instruction.
3. See Manufacturer and Device Identification table for Device ID information.
4. The Device ID will repeat continuously until /CS terminates the instruction.

# W25X16, W25X16A, W25X32, W25X64



## 12.2.3 Write Enable (06h)

The Write Enable instruction (Figure 4) sets the Write Enable Latch (WEL) bit in the Status Register to a 1. The WEL bit must be set prior to every Page Program, Sector Erase, Block Erase, Chip Erase and Write Status Register instruction. The Write Enable instruction is entered by driving /CS low, shifting the instruction code "06h" into the Data Input (DI) pin on the rising edge of CLK, and then driving /CS high.

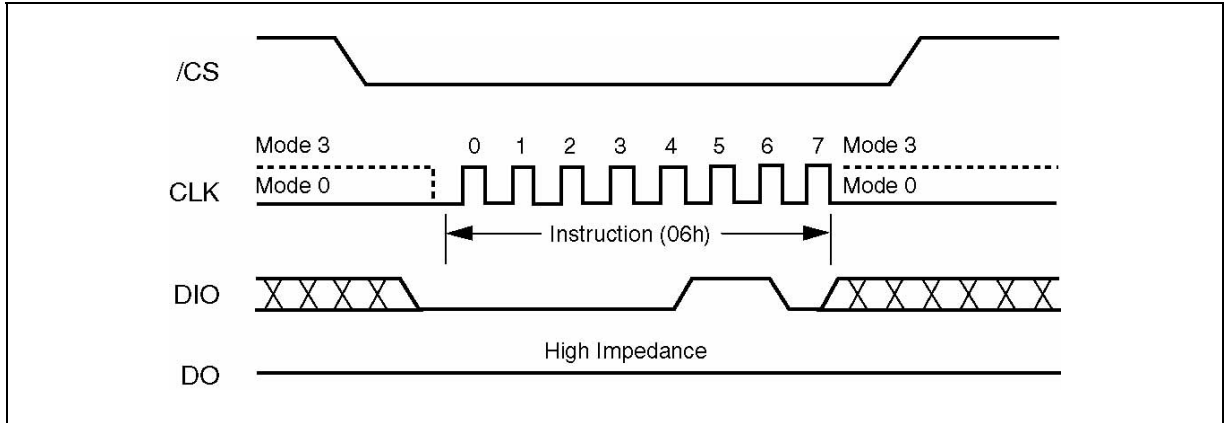


Figure 4. Write Enable Instruction Sequence Diagram

## 12.2.4 Write Disable (04h)

The Write Dissable instruction (Figure 5) resets the Write Enable Latch (WEL) bit in the Status Register to a 0. The Write Disable instruction is entered by driving /CS low, shifting the instruction code "04h" into the DIO pin and then driving /CS high. Note that the WEL bit is automatically reset after Power-up and upon completion of the Write Status Register, Page Program, Sector Erase, Block Erase and Chip Erase instructions.

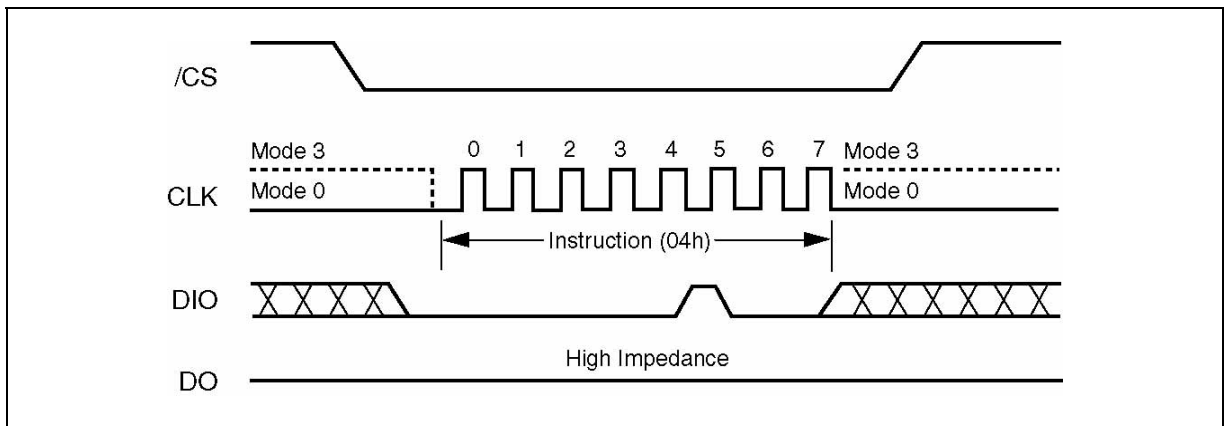


Figure 5. Write Disable Instruction Sequence Diagram

# W25X16, W25X16A, W25X32, W25X64



## 12.2.5 Read Status Register (05h)

The Read Status Register instruction allows the 8-bit Status Register to be read. The instruction is entered by driving /CS low and shifting the instruction code "05h" into the DIO pin on the rising edge of CLK. The status register bits are then shifted out on the DO pin at the falling edge of CLK with most significant bit (MSB) first as shown in figure 6. The Status Register bits are shown in figure 3 and include the BUSY, WEL, BP2-BP0, TB and SRP bits (see description of the Status Register earlier in this datasheet).

The Status Register instruction may be used at any time, even while a Program, Erase or Write Status Register cycle is in progress. This allows the BUSY status bit to be checked to determine when the cycle is complete and if the device can accept another instruction. The Status Register can be read continuously, as shown in Figure 6. The instruction is completed by driving /CS high.

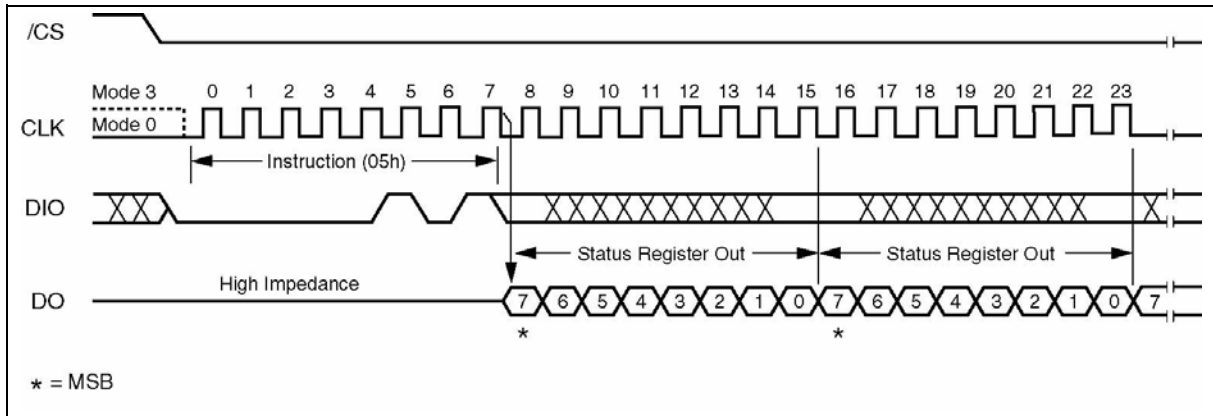


Figure 6. Read Status Register Instruction Sequence Diagram

# W25X16, W25X16A, W25X32, W25X64



## 12.2.6 Write Status Register (01h)

The Write Status Register instruction allows the Status Register to be written. A Write Enable instruction must previously have been executed for the device to accept the Write Status Register Instruction (Status Register bit WEL must equal 1). Once write enabled, the instruction is entered by driving /CS low, sending the instruction code "01h", and then writing the status register data byte as illustrated in figure 7. The Status Register bits are shown in figure 3 and described earlier in this datasheet.

Only non-volatile Status Register bits SRP, TB, BP2, BP1 and BP0 (bits 7, 5, 4, 3 and 2) can be written to. All other Status Register bit locations are read-only and will not be affected by the Write Status Register instruction.

The /CS pin must be driven high after the eighth bit of the last byte has been latched. If this is not done the Write Status Register instruction will not be executed. After /CS is driven high, the self-timed Write Status Register cycle will commence for a time duration of  $t_w$  (See AC Characteristics). While the Write Status Register cycle is in progress, the Read Status Register instruction may still be accessed to check the status of the BUSY bit. The BUSY bit is a 1 during the Write Status Register cycle and a 0 when the cycle is finished and ready to accept other instructions again. After the Write Register cycle has finished the Write Enable Latch (WEL) bit in the Status Register will be cleared to 0.

The Write Status Register instruction allows the Block Protect bits (TB, BP2, BP1 and BP0) to be set for protecting all, a portion, or none of the memory from erase and program instructions. Protected areas become read-only (see Status Register Memory Protection table). The Write Status Register instruction also allows the Status Register Protect bit (SRP) to be set. This bit is used in conjunction with the Write Protect (/WP) pin to disable writes to the status register. When the SRP bit is set to a 0 state (factory default) the /WP pin has no control over the status register. When the SRP pin is set to a 1, the Write Status Register instruction is locked out while the /WP pin is low. When the /WP pin is high the Write Status Register instruction is allowed.

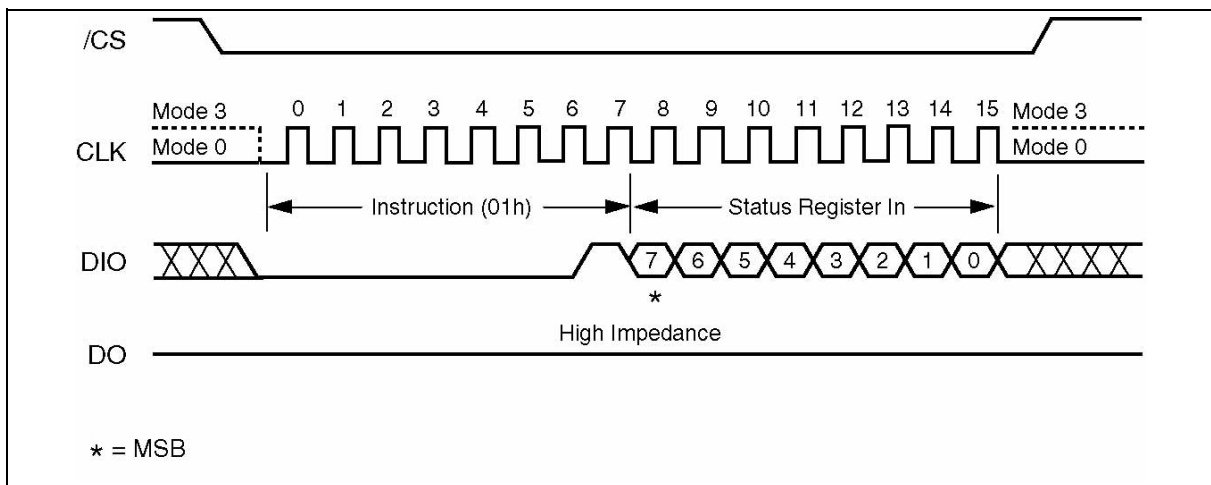


Figure 7. Write Status Register Instruction Sequence Diagram

# W25X16, W25X16A, W25X32, W25X64



## 12.2.7 Read Data (03h)

The Read Data instruction allows one more data bytes to be sequentially read from the memory. The instruction is initiated by driving the /CS pin low and then shifting the instruction code "03h" followed by a 24-bit address (A23-A0) into the DIO pin. The code and address bits are latched on the rising edge of the CLK pin. After the address is received, the data byte of the addressed memory location will be shifted out on the DO pin at the falling edge of CLK with most significant bit (MSB) first. The address is automatically incremented to the next higher address after each byte of data is shifted out allowing for a continuous stream of data. This means that the entire memory can be accessed with a single instruction as long as the clock continues. The instruction is completed by driving /CS high. The Read Data instruction sequence is shown in figure 8. If a Read Data instruction is issued while an Erase, Program or Write cycle is in process (BUSY=1) the instruction is ignored and will not have any effects on the current cycle. The Read Data instruction allows clock rates from D.C. to a maximum of  $f_r$  (see AC Electrical Characteristics).

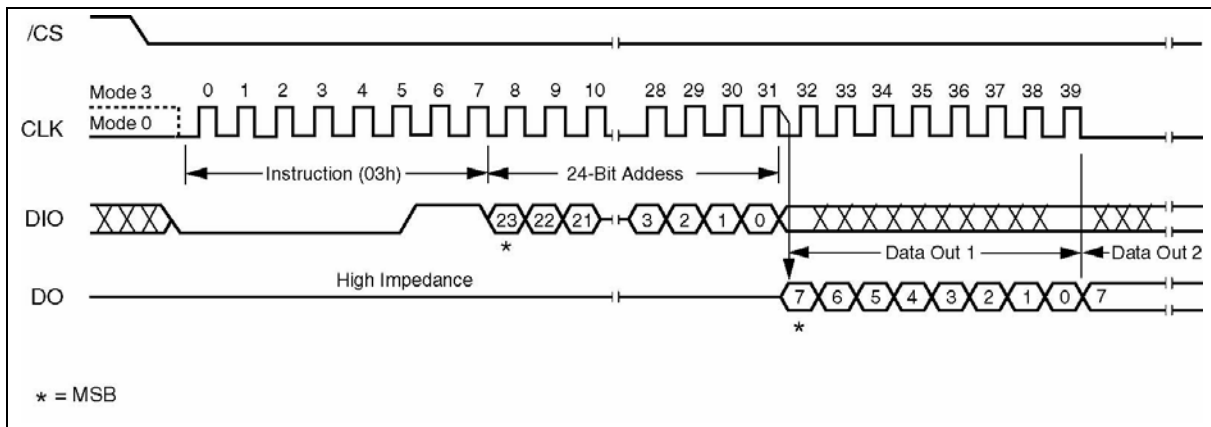


Figure 8. Read Data Instruction Sequence Diagram

# W25X16, W25X16A, W25X32, W25X64



## 12.2.8 Fast Read (0Bh)

The Fast Read instruction is similar to the Read Data instruction except that it can operate at the highest possible frequency of FR (see AC Electrical Characteristics). This is accomplished by adding eight “dummy” clocks after the 24-bit address as shown in figure 9. The dummy clocks allow the devices internal circuits additional time for setting up the initial address. During the dummy clocks the data value on the DIO pin is a “don’t care”.

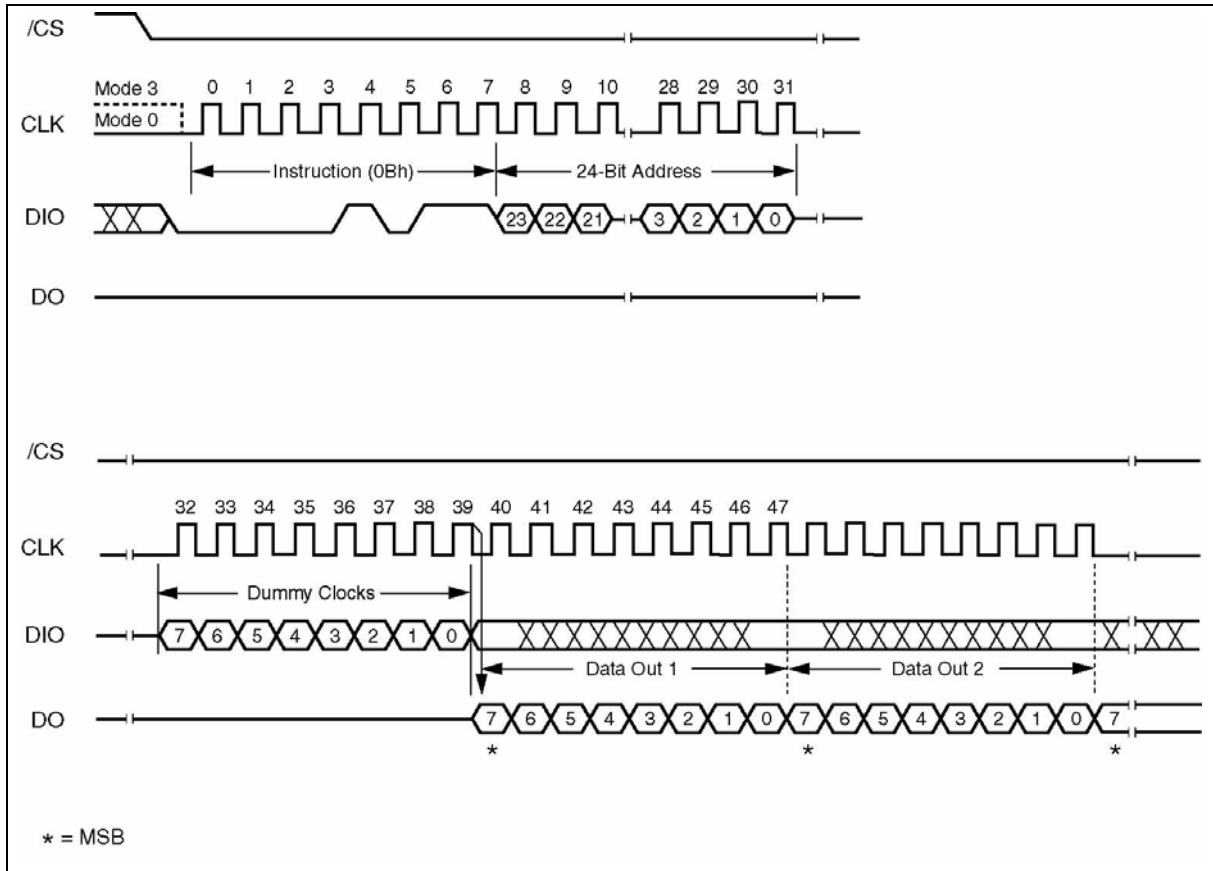


Figure 9. Fast Read Instruction Sequence Diagram

# W25X16, W25X16A, W25X32, W25X64



## 12.2.9 Fast Read Dual Output (3Bh)

The Fast Read Dual Output (3Bh) instruction is similar to the standard Fast Read (0Bh) instruction except that data is output on two pins, DO and DIO, instead of just DO. This allows data to be transferred from the W25X16/32/64 at twice the rate of standard SPI devices. The Fast Read Dual Output instruction is ideal for quickly downloading code from Flash to RAM upon power-up or for applications that cache code-segments to RAM for execution.

Similar to the Fast Read instruction, the Fast Read Dual Output instruction can operate at the highest possible frequency of FR (see AC Electrical Characteristics). This is accomplished by adding eight “dummy” clocks after the 24-bit address as shown in figure 10. The dummy clocks allow the device’s internal circuits additional time for setting up the initial address. The input data during the dummy clocks is “don’t care”. However, the DIO pin should be high-impedance prior to the falling edge of the first data out clock.

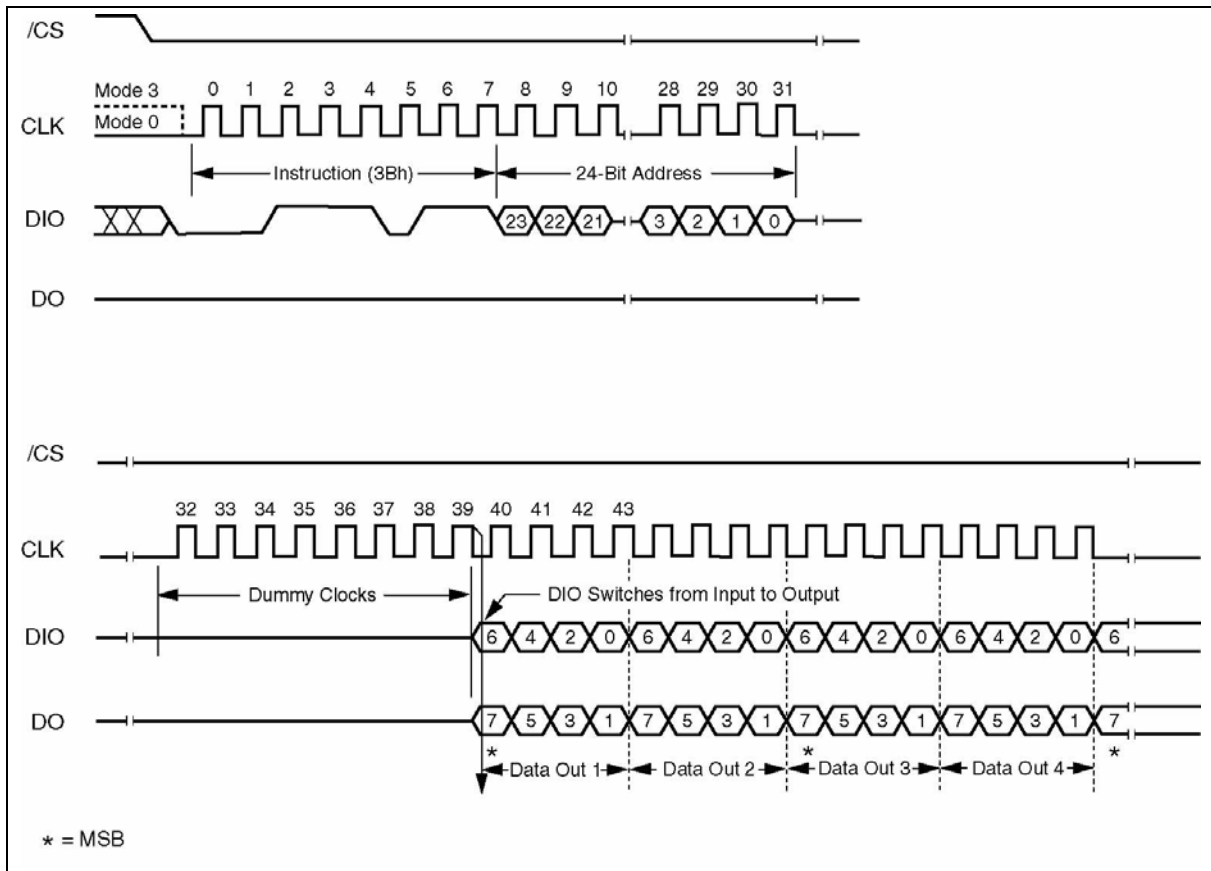


Figure 10. Fast Read Dual Output Instruction Sequence Diagram

# W25X16, W25X16A, W25X32, W25X64



## 12.2.10 Page Program (02h)

The Page Program instruction allows up to 256 bytes of data to be programmed at previously erased to all 1s (FFh) memory locations. A Write Enable instruction must be executed before the device will accept the Page Program Instruction (Status Register bit WEL must equal 1). The instruction is initiated by driving the /CS pin low then shifting the instruction code "02h" followed by a 24-bit address (A23-A0) and at least one data byte, into the DIO pin. The /CS pin must be held low for the entire length of the instruction while data is being sent to the device. The Page Program instruction sequence is shown in figure 11.

If an entire 256 byte page is to be programmed, the last address byte (the 8 least significant address bits) should be set to 0. If the last address byte is not zero, and the number of clocks exceed the remaining page length, the addressing will wrap to the beginning of the page. In some cases, less than 256 bytes (a partial page) can be programmed without having any effect on other bytes within the same page. One condition to perform a partial page program is that the number of clocks can not exceed the remaining page length. If more than 256 bytes are sent to the device the addressing will wrap to the beginning of the page and overwrite previously sent data.

As with the write and erase instructions, the /CS pin must be driven high after the eighth bit of the last byte has been latched. If this is not done the Page Program instruction will not be executed. After /CS is driven high, the self-timed Page Program instruction will commence for a time duration of t<sub>pp</sub> (See AC Characteristics). While the Page Program cycle is in progress, the Read Status Register instruction may still be accessed for checking the status of the BUSY bit. The BUSY bit is a 1 during the Page Program cycle and becomes a 0 when the cycle is finished and the device is ready to accept other instructions again. After the Page Program cycle has finished the Write Enable Latch (WEL) bit in the Status Register is cleared to 0. The Page Program instruction will not be executed if the addressed page is protected by the Block Protect (BP2, BP1, and BP0) bits (see Status Register Memory Protection table).

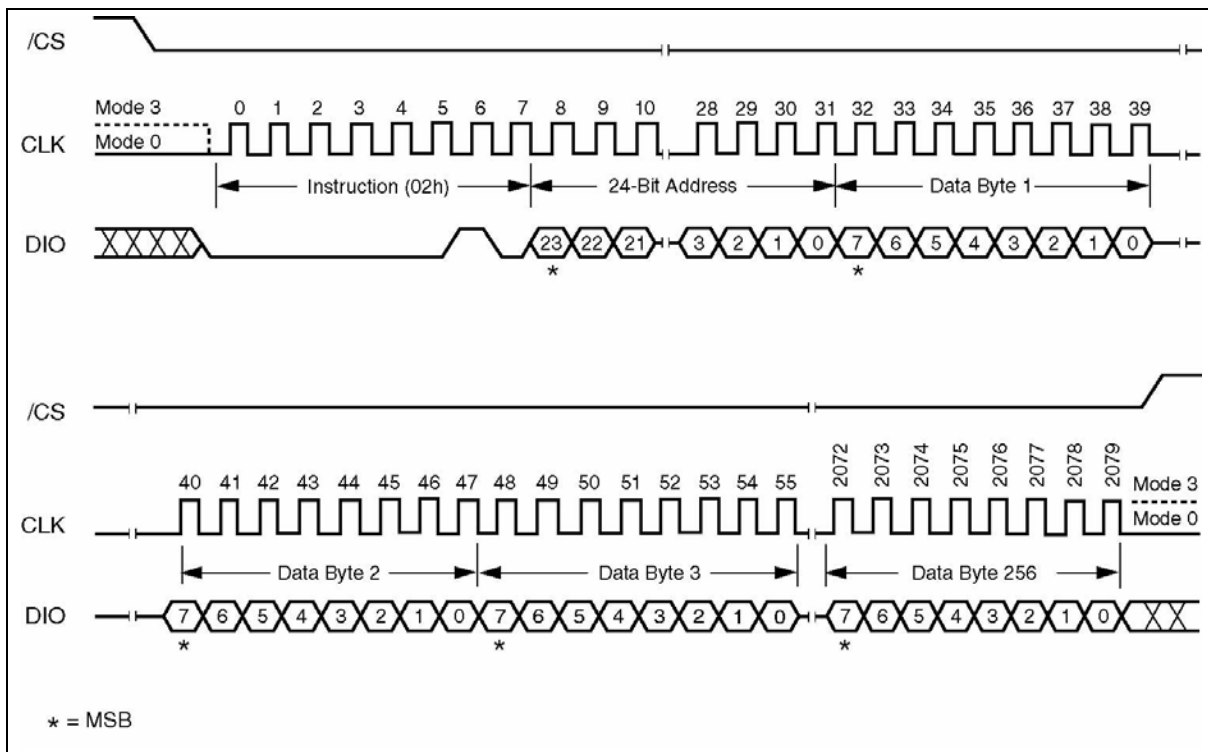


Figure 11. Page Program Instruction Sequence Diagram



# W25X16, W25X16A, W25X32, W25X64



## 12.2.11 Sector Erase (20h)

The Sector Erase instruction sets all memory within a specified sector (4K-bytes) to the erased state of all 1s (FFh). A Write Enable instruction must be executed before the device will accept the Sector Erase Instruction (Status Register bit WEL must equal 1). The instruction is initiated by driving the /CS pin low and shifting the instruction code "20h" followed a 24-bit sector address (A23-A0) (see Figure 2). The Sector Erase instruction sequence is shown in figure 12.

The /CS pin must be driven high after the eighth bit of the last byte has been latched. If this is not done the Sector Erase instruction will not be executed. After /CS is driven high, the self-timed Sector Erase instruction will commence for a time duration of tSE (See AC Characteristics). While the Sector Erase cycle is in progress, the Read Status Register instruction may still be accessed for checking the status of the BUSY bit. The BUSY bit is a 1 during the Sector Erase cycle and becomes a 0 when the cycle is finished and the device is ready to accept other instructions again. After the Sector Erase cycle has finished the Write Enable Latch (WEL) bit in the Status Register is cleared to 0. The Sector Erase instruction will not be executed if the addressed page is protected by the Block Protect (TB, BP2, BP1, and BP0) bits (see Status Register Memory Protection table).

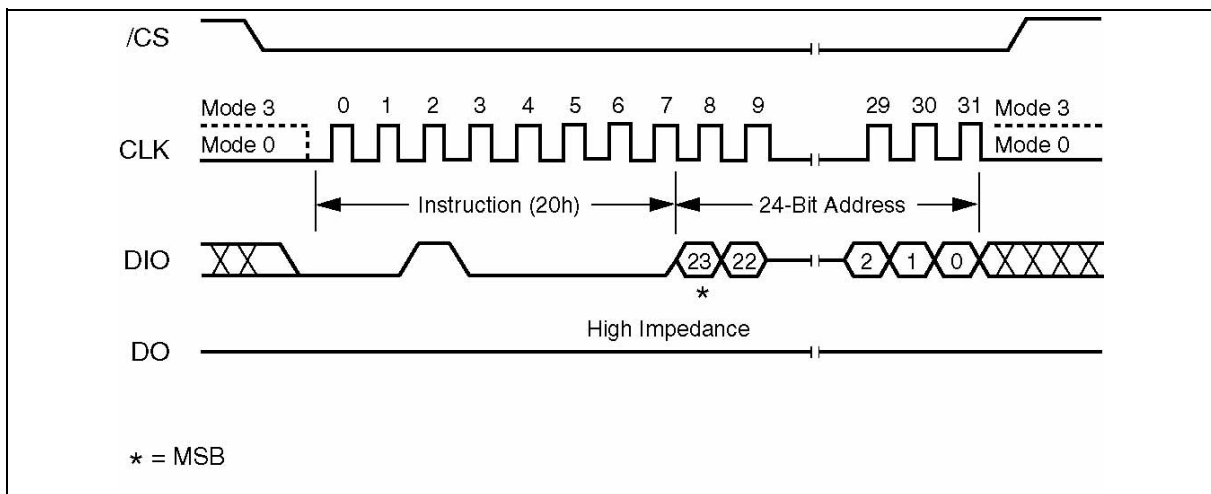


Figure 12. Sector Erase Instruction Sequence Diagram

# W25X16, W25X16A, W25X32, W25X64



## 12.2.12 Block Erase (D8h)

The Block Erase instruction sets all memory within a specified block (64K-bytes) to the erased state of all 1s (FFh). A Write Enable instruction must be executed before the device will accept the Block Erase Instruction (Status Register bit WEL must equal 1). The instruction is initiated by driving the /CS pin low and shifting the instruction code "D8h" followed a 24-bit block address (A23-A0) (see Figure 2). The Block Erase instruction sequence is shown in figure 13.

The /CS pin must be driven high after the eighth bit of the last byte has been latched. If this is not done the Block Erase instruction will not be executed. After /CS is driven high, the self-timed Block Erase instruction will commence for a time duration of tBE (See AC Characteristics). While the Block Erase cycle is in progress, the Read Status Register instruction may still be accessed for checking the status of the BUSY bit. The BUSY bit is a 1 during the Block Erase cycle and becomes a 0 when the cycle is finished and the device is ready to accept other instructions again. After the Block Erase cycle has finished the Write Enable Latch (WEL) bit in the Status Register is cleared to 0. The Block Erase instruction will not be executed if the addressed page is protected by the Block Protect (TB, BP2, BP1, and BP0) bits (see Status Register Memory Protection table).

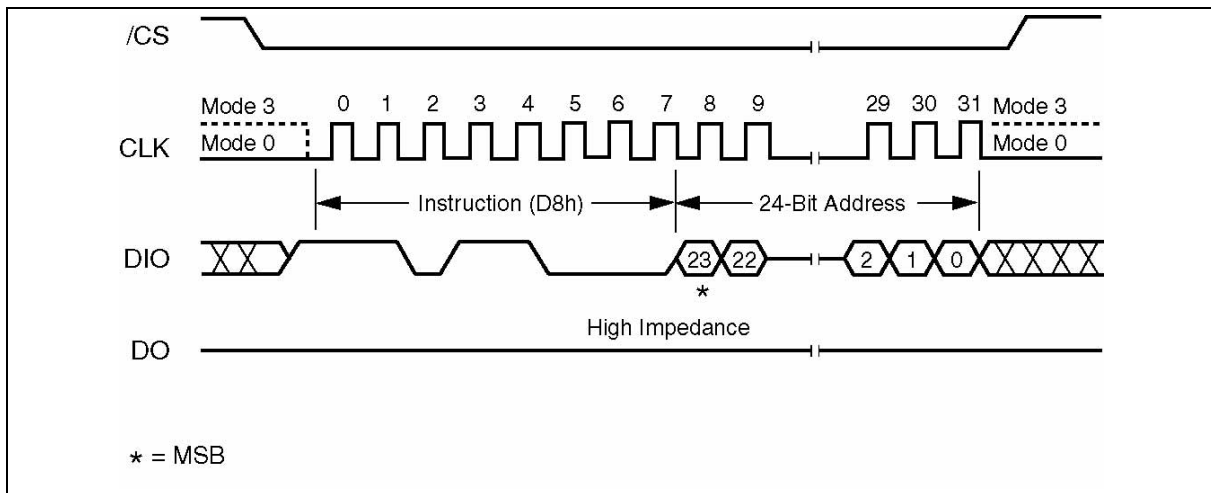


Figure 13. Block Erase Instruction Sequence Diagram

# W25X16, W25X16A, W25X32, W25X64



## 12.2.13 Chip Erase (C7h)

The Chip Erase instruction sets all memory within the device to the erased state of all 1s (FFh). A Write Enable instruction must be executed before the device will accept the Chip Erase Instruction (Status Register bit WEL must equal 1). The instruction is initiated by driving the /CS pin low and shifting the instruction code "C7h". The Chip Erase instruction sequence is shown in figure 14.

The /CS pin must be driven high after the eighth bit has been latched. If this is not done the Chip Erase instruction will not be executed. After /CS is driven high, the self-timed Chip Erase instruction will commence for a time duration of tCE (See AC Characteristics). While the Chip Erase cycle is in progress, the Read Status Register instruction may still be accessed to check the status of the BUSY bit. The BUSY bit is a 1 during the Chip Erase cycle and becomes a 0 when finished and the device is ready to accept other instructions again. After the Chip Erase cycle has finished the Write Enable Latch (WEL) bit in the Status Register is cleared to 0. The Chip Erase instruction will not be executed if any page is protected by the Block Protect (BP2, BP1, and BP0) bits (see Status Register Memory Protection table).

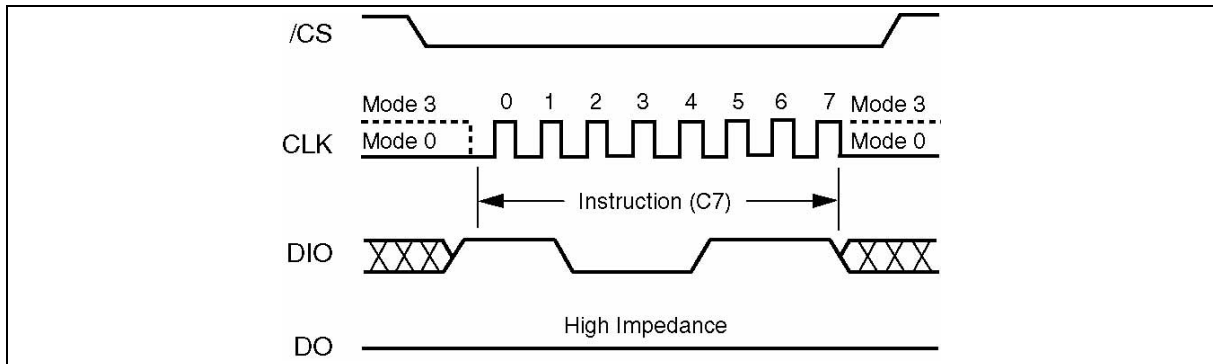


Figure 14. Chip Erase Instruction Sequence Diagram

# W25X16, W25X16A, W25X32, W25X64



## 12.2.14 Power-down (B9h)

Although the standby current during normal operation is relatively low, standby current can be further reduced with the Power-down instruction. The lower power consumption makes the Power-down instruction especially useful for battery powered applications (See ICC1 and ICC2 in AC Characteristics). The instruction is initiated by driving the /CS pin low and shifting the instruction code "B9h" as shown in figure 15.

The /CS pin must be driven high after the eighth bit has been latched. If this is not done the Power-down instruction will not be executed. After /CS is driven high, the power-down state will entered within the time duration of tDP (See AC Characteristics). While in the power-down state only the Release from Power-down / Device ID instruction, which restores the device to normal operation, will be recognized. All other instructions are ignored. This includes the Read Status Register instruction, which is always available during normal operation. Ignoring all but one instruction makes the Power Down state a useful condition for securing maximum write protection. The device always powers-up in the normal operation with the standby current of ICC1.

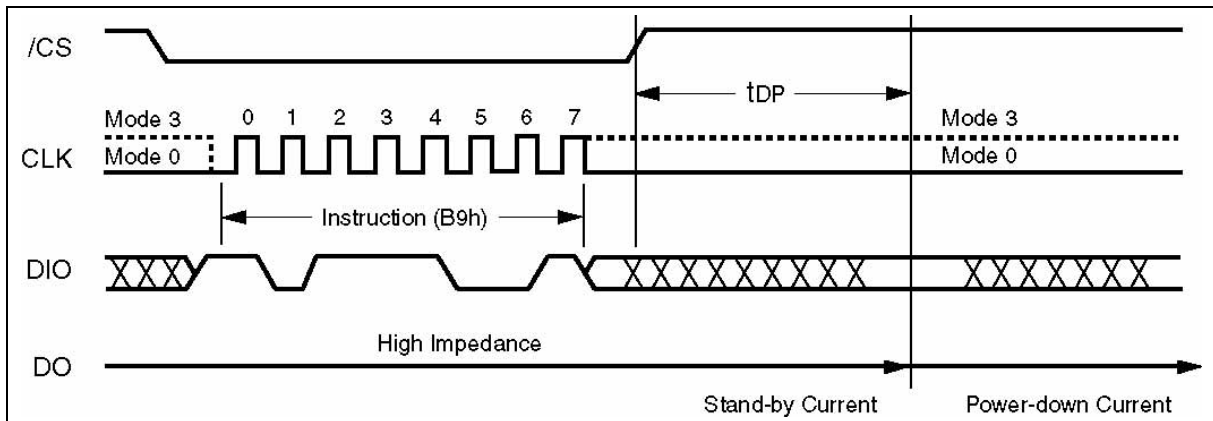


Figure 15. Deep Power-down Instruction Sequence Diagram

# W25X16, W25X16A, W25X32, W25X64



## 12.2.15 Release Power-down / Device ID (ABh)

The Release from Power-down / Device ID instruction is a multi-purpose instruction. It can be used to release the device from the power-down state, obtain the devices electronic identification (ID) number or do both.

When used only to release the device from the power-down state, the instruction is issued by driving the /CS pin low, shifting the instruction code "ABh" and driving /CS high as shown in figure 16. After the time duration of  $t_{RES1}$  (See AC Characteristics) the device will resume normal operation and other instructions will be accepted. The /CS pin must remain high during the  $t_{RES1}$  time duration.

When used only to obtain the Device ID while not in the power-down state, the instruction is initiated by driving the /CS pin low and shifting the instruction code "ABh" followed by 3-dummy bytes. The Device ID bits are then shifted out on the falling edge of CLK with most significant bit (MSB) first as shown in figure 17. The Device ID values for the W25X16/16A, W25X32, and W25X64 are listed in Manufacturer and Device Identification table. The Device ID can be read continuously. The instruction is completed by driving /CS high.

When used to release the device from the power-down state and obtain the Device ID, the instruction is the same as previously described, and shown in figure 17, except that after /CS is driven high it must remain high for a time duration of  $t_{RES2}$  (See AC Characteristics). After this time duration the device will resume normal operation and other instructions will be accepted.

If the Release from Power-down / Device ID instruction is issued while an Erase, Program or Write cycle is in process (when BUSY equals 1) the instruction is ignored and will not have any effects on the current cycle

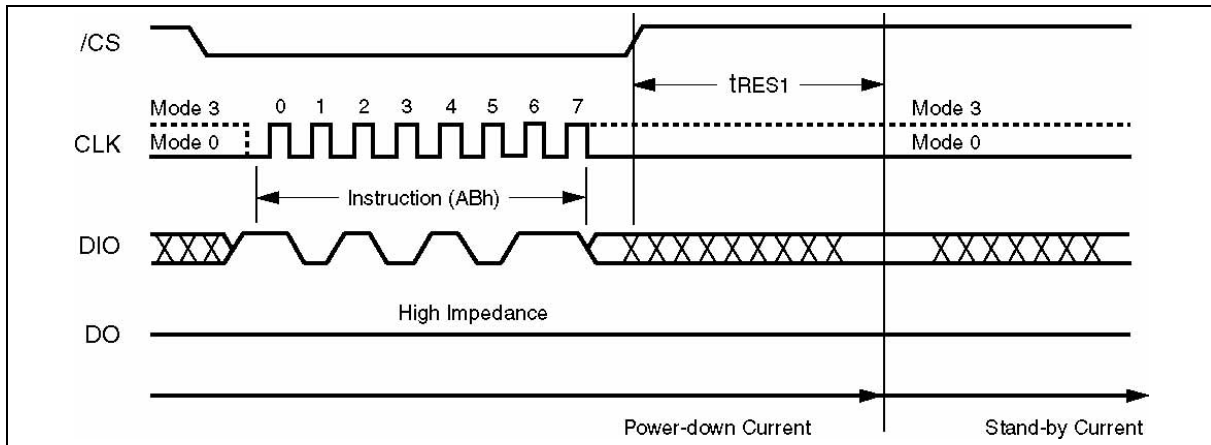


Figure 16. Release Power-down Instruction Sequence

# W25X16, W25X16A, W25X32, W25X64

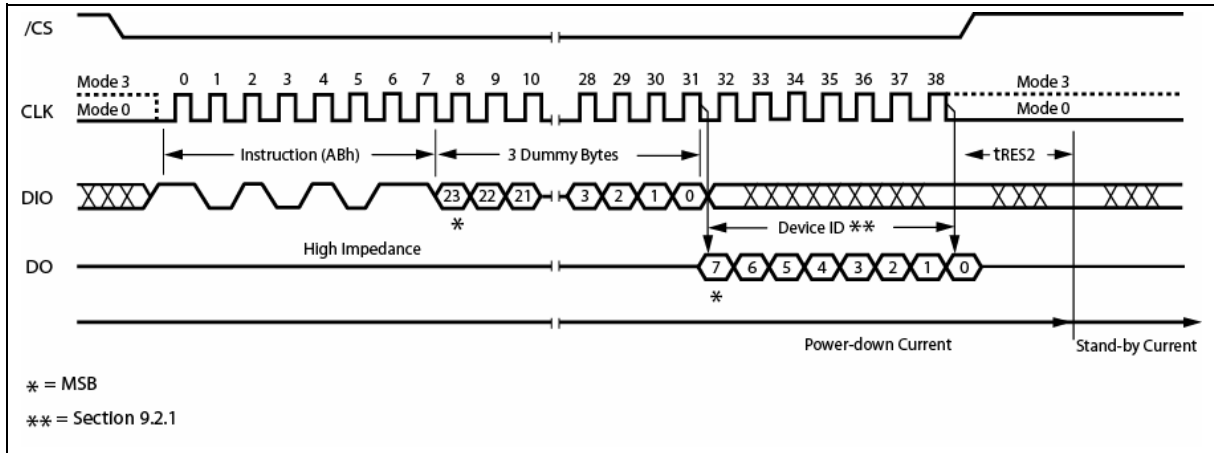


Figure 17. Release Power-down / Device ID Instruction Sequence Diagram

# W25X16, W25X16A, W25X32, W25X64



## 12.2.16 Read Manufacturer / Device ID (90h)

The Read Manufacturer/Device ID instruction is an alternative to the Release from Power-down / Device ID instruction that provides both the JEDEC assigned manufacturer ID and the specific device ID.

The Read Manufacturer/Device ID instruction is very similar to the Release from Power-down / Device ID instruction. The instruction is initiated by driving the /CS pin low and shifting the instruction code "90h" followed by a 24-bit address (A23-A0) of 000000h. After which, the Manufacturer ID for Winbond (EFh) and the Device ID are shifted out on the falling edge of CLK with most significant bit (MSB) first as shown in figure 18. The Device ID values for the W25X16/16A, W25X32, AND W25X64 are listed in Manufacturer and Device Identification table. If the 24-bit address is initially set to 000001h the Device ID will be read first and then followed by the Manufacturer ID. The Manufacturer and Device IDs can be read continuously, alternating from one to the other. The instruction is completed by driving /CS high.

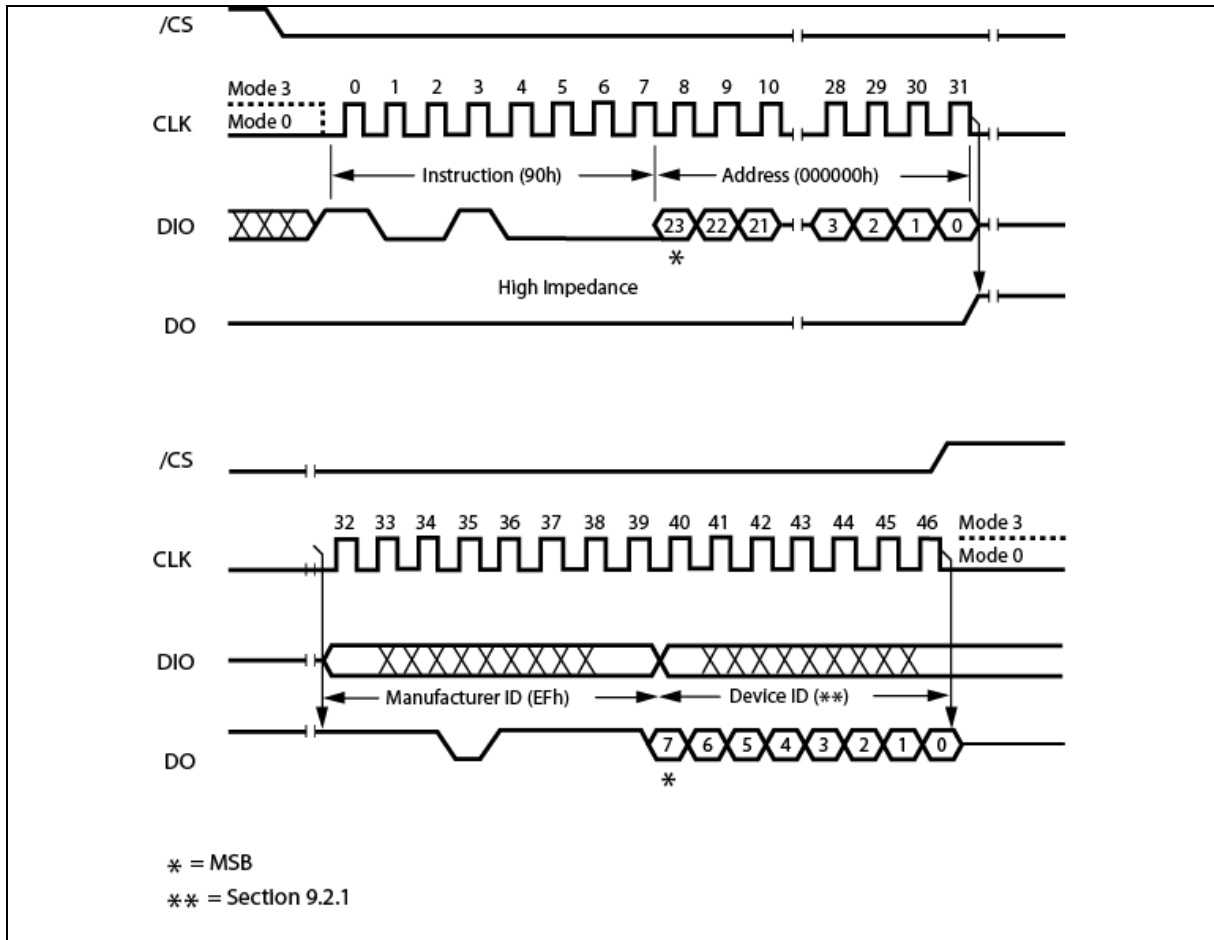


Figure 18. Read Manufacturer / Device ID Diagram

# W25X16, W25X16A, W25X32, W25X64



## 12.2.17 JEDEC ID (9Fh)

For compatibility reasons, the W25X16/16A/32/64 provides several instructions to electronically determine the identity of the device. The Read JEDEC ID instruction is compatible with the JEDEC standard for SPI compatible serial memories that was adopted in 2003.

The instruction is initiated by driving the /CS pin low and shifting the instruction code "9Fh". The JEDEC assigned Manufacturer ID byte for Winbond (EFh) and two Device ID bytes, Memory Type (ID15-ID8) and Capacity (ID7-ID0) are then shifted out on the falling edge of CLK with most significant bit (MSB) first as shown in figure 19. For memory type and capacity values refer to Manufacturer and Device Identification table.

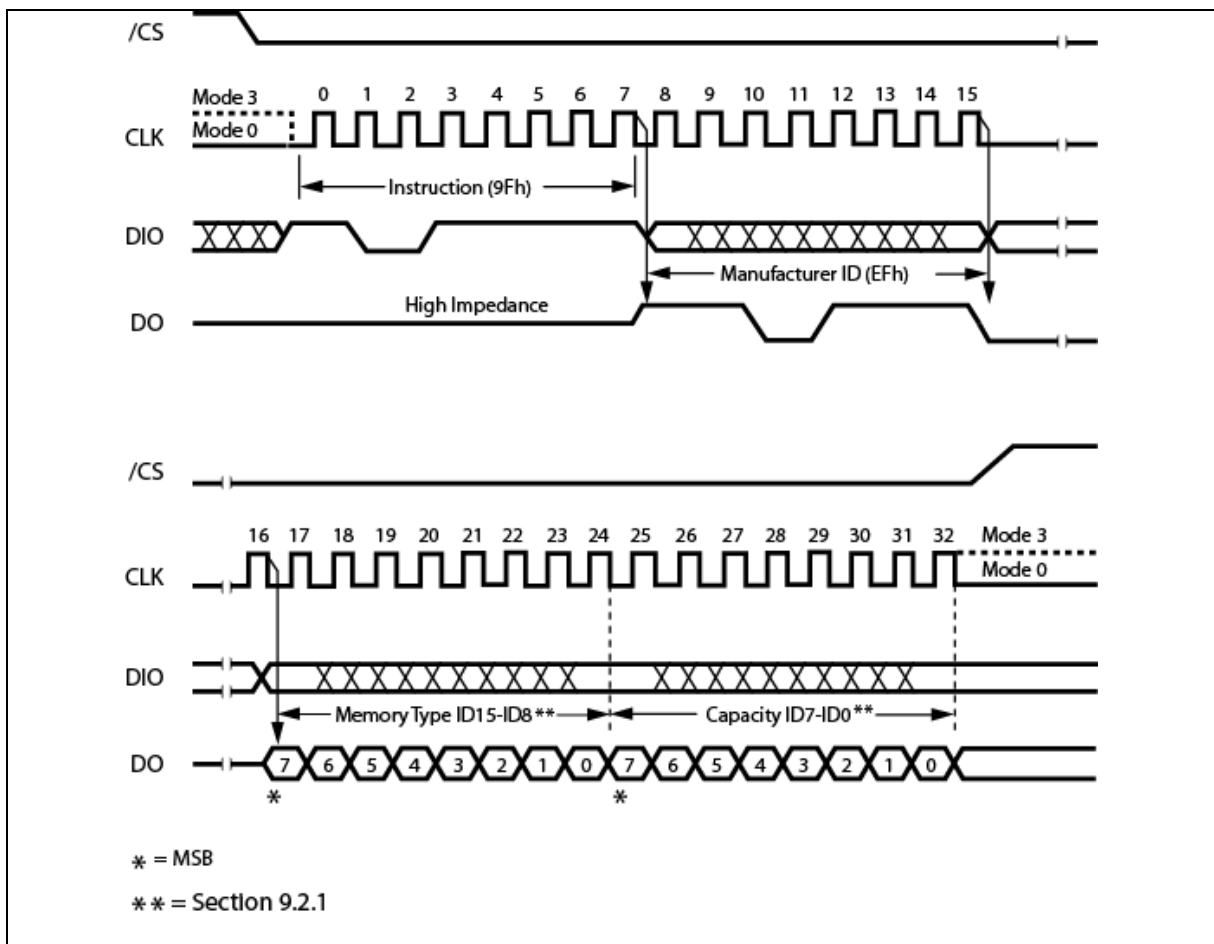


Figure 19. Read JEDEC ID



# W25X16, W25X16A, W25X32, W25X64



## 13. ELECTRICAL CHARACTERISTICS <sup>(1)</sup>

### 13.1 Absolute Maximum Ratings <sup>(2)</sup>

| PARAMETERS                      | SYMBOL | CONDITIONS                            | RANGE                   | UNIT |
|---------------------------------|--------|---------------------------------------|-------------------------|------|
| Supply Voltage                  | VCC    |                                       | -0.6 to +4.0            | V    |
| Voltage applied to any Pin      | VIO    | Relative to Ground                    | -0.6 to VCC +0.4        | V    |
| Transient Voltage on any Pin    | VIOT   | <20nS Transient<br>Relative to Ground | -2.0V to VCC+2.0V       | V    |
| Storage Temperature             | TSTG   |                                       | -65 to +150             | °C   |
| Lead Temperature                | TLEAD  |                                       | See Note <sup>(3)</sup> | °C   |
| Electrostatic Discharge Voltage | VESD   | Human Body Model <sup>(4)</sup>       | -2000 to +2000          | V    |

#### Notes:

1. Specifications for W25X16A, W25X32 and W25X64 are preliminary. See preliminary designation at the end of this datasheet.
2. This device has been designed and tested for the specified operation ranges. Proper operation outside of these levels is not guaranteed. Exposure to absolute maximum ratings may affect device reliability. Exposure beyond absolute maximum ratings may cause permanent damage.
3. Compliant with JEDEC Standard J-STD-20C for small body Sn-Pb or Pb-free (Green) assembly and the European directive on restrictions on hazardous substances (RoHS) 2002/95/EU.
4. JEDEC Std JESD22-A114A (C1=100 pF, R1=1500 ohms, R2=500 ohms).

### 13.2 Operating Ranges

| PARAMETER                      | SYMBOL | CONDITIONS                                     | SPEC |     | UNIT |
|--------------------------------|--------|------------------------------------------------|------|-----|------|
|                                |        |                                                | MIN  | MAX |      |
| Supply Voltage <sup>(1)</sup>  | VCC    | F <sub>R</sub> = 50MHz, f <sub>R</sub> = 33MHz | 2.3  | 3.6 | V    |
|                                |        | F <sub>R</sub> = 75MHz, f <sub>R</sub> = 33MHz | 2.7  | 3.6 |      |
| Ambient Temperature, Operating | TA     | Industrial                                     | -40  | +85 | °C   |

#### Note:

1. Lower Supply Voltage range (2.3V to 3.6V) only applies to W25X16AL.

# W25X16, W25X16A, W25X32, W25X64



## 13.3 Endurance and Data Retention

| PARAMETER            | CONDITIONS                           | MIN     | MAX | UNIT   |
|----------------------|--------------------------------------|---------|-----|--------|
| Erase/Program Cycles | 4KB sector, 64KB block or full chip. | 100,000 |     | cycles |
| Data Retention       | 55°C                                 |         | 20  | years  |

## 13.4 Power-up Timing and Write Inhibit Threshold

| PARAMETER                           | SYMBOL              | SPEC |     | UNIT |
|-------------------------------------|---------------------|------|-----|------|
|                                     |                     | MIN  | MAX |      |
| VCC (min) to /CS Low                | tVSL <sup>(1)</sup> | 10   |     | μs   |
| Time Delay Before Write Instruction | tPUW <sup>(1)</sup> | 1    | 10  | ms   |
| Write Inhibit Threshold Voltage     | VWI <sup>(1)</sup>  | 1    | 2   | V    |

**Note:**

1. These parameters are characterized only.

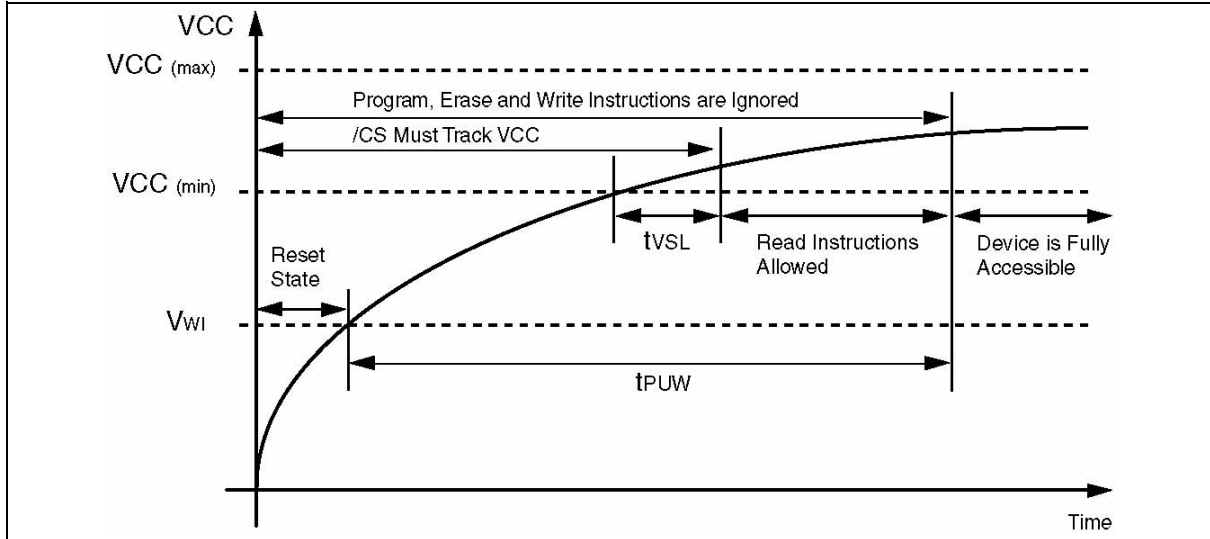


Figure 20. Power-up Timing and Voltage Levels

# W25X16, W25X16A, W25X32, W25X64



## 13.5 DC Electrical Characteristics

| PARAMETER                                                       | SYMBOL                          | CONDITIONS                           | SPEC      |       |           | UNIT |
|-----------------------------------------------------------------|---------------------------------|--------------------------------------|-----------|-------|-----------|------|
|                                                                 |                                 |                                      | MIN       | TYP   | MAX       |      |
| Input Capacitance                                               | C <sub>IN</sub> <sup>(1)</sup>  | V <sub>IN</sub> = 0V <sup>(2)</sup>  |           |       | 6         | pF   |
| Output Capacitance                                              | C <sub>OUT</sub> <sup>(1)</sup> | V <sub>OUT</sub> = 0V <sup>(2)</sup> |           |       | 8         | pF   |
| Input Leakage                                                   | I <sub>LI</sub>                 |                                      |           |       | ±2        | μA   |
| I/O Leakage                                                     | I <sub>LO</sub>                 |                                      |           |       | ±2        | μA   |
| Standby Current                                                 | I <sub>CC1</sub>                | /CS = VCC,<br>VIN = GND or VCC       |           | 25    | 50        | μA   |
| Power-down Current                                              | I <sub>CC2</sub>                | /CS = VCC,<br>VIN = GND or VCC       |           | <1    | 10        | μA   |
| Current Read Data /<br>Dual Output Read<br>1MHz <sup>(2)</sup>  | I <sub>CC3</sub>                | C = 0.1 VCC / 0.9 VCC<br>DO = Open   |           | 5/6   | 7/8       | mA   |
| Current Read Data /<br>Dual Output Read<br>33MHz <sup>(2)</sup> | I <sub>CC3</sub>                | C = 0.1 VCC / 0.9 VCC<br>DO = Open   |           | 7/8   | 11/12     | mA   |
| Current Read Data /<br>Dual Output Read<br>50MHz <sup>(2)</sup> | I <sub>CC3</sub>                | C = 0.1 VCC / 0.9 VCC<br>DO = Open   |           | 9/10  | 13/15     | mA   |
| Current Read Data /<br>Dual Output Read<br>75MHz <sup>(2)</sup> | I <sub>CC3</sub>                | C = 0.1 VCC / 0.9 VCC<br>DO = Open   |           | 11/12 | 16/18     | mA   |
| Current Page<br>Program                                         | I <sub>CC4</sub>                | /CS = VCC                            |           | 20    | 25        | mA   |
| Current Write Status<br>Register                                | I <sub>CC5</sub>                | /CS = VCC                            |           | 10    | 18        | mA   |
| Current Sector/Block<br>Erase                                   | I <sub>CC6</sub>                | /CS = VCC                            |           | 20    | 25        | mA   |
| Current Chip Erase                                              | I <sub>CC7</sub>                | /CS = VCC                            |           | 20    | 25        | mA   |
| Input Low Voltage                                               | V <sub>IL</sub>                 |                                      | -0.5      |       | VCC x 0.3 | V    |
| Input High Voltage                                              | V <sub>IH</sub>                 |                                      | VCC x 0.7 |       | VCC + 0.4 | V    |
| Output Low Voltage                                              | V <sub>OL</sub>                 | I <sub>OL</sub> = 1.6 mA             |           |       | 0.4       | V    |
| Output High Voltage                                             | V <sub>OH</sub>                 | I <sub>OH</sub> = -100 μA            | VCC - 0.2 |       |           | V    |

**Notes:**

1. Tested on sample basis and specified through design and characterization data. TA=25° C, VCC 3V.
2. Checker Board Pattern.

# W25X16, W25X16A, W25X32, W25X64



## 13.6 AC Measurement Conditions

| PARAMETER                                 | SYMBOL | SPEC               |     | UNIT |
|-------------------------------------------|--------|--------------------|-----|------|
|                                           |        | MIN                | MAX |      |
| Load Capacitance                          | CL     |                    | 30  | pF   |
| Load Capacitance for FR <sub>1</sub> only |        |                    | 15  |      |
| Input Rise and Fall Times                 | TR, TF |                    | 5   | ns   |
| Input Pulse Voltages                      | VIN    | 0.2 VCC to 0.8 VCC |     | V    |
| Input Timing Reference Voltages           | IN     | 0.3 VCC to 0.7 VCC |     | V    |
| Output Timing Reference Voltages          | OUT    | 0.5 VCC to 0.5 VCC |     | V    |

**Note:**

1. Output Hi-Z is defined as the point where data out is no longer driven.

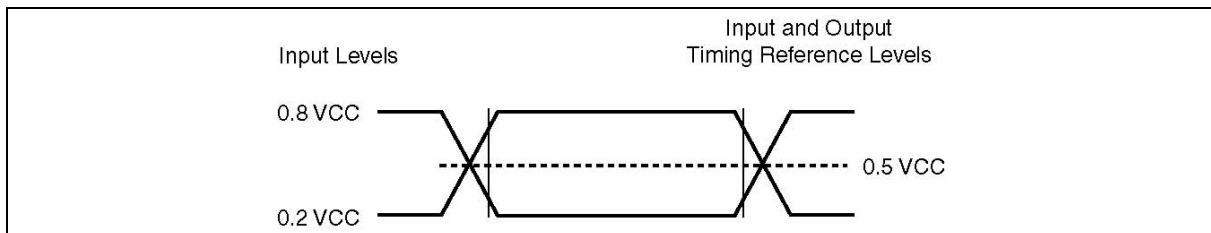


Figure 21. AC Measurement I/O Waveform

# W25X16, W25X16A, W25X32, W25X64



## 13.7 AC Electrical Characteristics

| DESCRIPTION                                                                                                   | SYMBOL                                                  | ALT              | SPEC   |     |            | UNIT |
|---------------------------------------------------------------------------------------------------------------|---------------------------------------------------------|------------------|--------|-----|------------|------|
|                                                                                                               |                                                         |                  | MIN    | TYP | MAX        |      |
| Clock frequency<br>for all instructions, except Read Data (03h)<br>2.3V-3.6V VCC & Industrial Temp (W25X16AL) | F <sub>R</sub>                                          | f <sub>C</sub>   | D.C.   |     | 50         | MHz  |
| Clock frequency<br>for all instructions, except Read Data (03h)<br>2.7V-3.6V VCC & Industrial Temperature     | F <sub>R</sub>                                          | f <sub>C</sub>   | D.C.   |     | 75         | MHz  |
| Clock freq. Read Data instruction 03h                                                                         | f <sub>R</sub>                                          |                  | D.C.   |     | 33         | MHz  |
| Clock High, Low Time, for Fast Read (0Bh, 3Bh) /<br>other instructions except Read Data (03h)                 | t <sub>CLH</sub> ,<br>t <sub>CLL</sub> <sup>(1)</sup>   |                  | 6/7    |     |            | ns   |
| Clock High, Low Time, for all instructions<br>2.3V-3.6V VCC (W25X16AL)                                        | t <sub>CLH</sub> ,<br>t <sub>CLL</sub> <sup>(1)</sup>   |                  | 8      |     |            | ns   |
| Clock High, Low Time for Read Data (03h)<br>instruction                                                       | t <sub>CRLH</sub> ,<br>t <sub>CRLL</sub> <sup>(1)</sup> |                  | 8      |     |            | ns   |
| Clock Rise Time peak to peak                                                                                  | t <sub>CLCH</sub> <sup>(2)</sup>                        |                  | 0.1    |     |            | V/ns |
| Clock Fall Time peak to peak                                                                                  | t <sub>CHCL</sub> <sup>(2)</sup>                        |                  | 0.1    |     |            | V/ns |
| /CS Active Setup Time relative to CLK                                                                         | t <sub>SLCH</sub>                                       | t <sub>CSS</sub> | 5      |     |            | ns   |
| /CS Not Active Hold Time relative to CLK                                                                      | t <sub>CHSL</sub>                                       |                  | 5      |     |            | ns   |
| Data In Setup Time                                                                                            | t <sub>DVCH</sub>                                       | t <sub>DSU</sub> | 2      |     |            | ns   |
| Data In Hold Time                                                                                             | t <sub>CHDX</sub>                                       | t <sub>DH</sub>  | 5      |     |            | ns   |
| /CS Active Hold Time relative to CLK                                                                          | t <sub>CHSH</sub>                                       |                  | 5      |     |            | ns   |
| /CS Not Active Setup Time relative to CLK                                                                     | t <sub>SHCH</sub>                                       |                  | 5      |     |            | ns   |
| /CS Deselect Time (for Array Read → Array Read /<br>Erase or Program → Read Status Register)                  | t <sub>SHSL</sub>                                       | t <sub>CSH</sub> | 50/100 |     |            | ns   |
| Output Disable Time                                                                                           | t <sub>SHQZ</sub> <sup>(2)</sup>                        | t <sub>DIS</sub> |        |     | 7          | ns   |
| Clock Low to Output Valid<br>2.7V-3.6V / 3.0V-3.6V<br>2.3V-3.6V (W25X16AL)                                    | t <sub>CLQV</sub>                                       | t <sub>V</sub>   |        |     | 7 / 6<br>9 | ns   |
| Output Hold Time                                                                                              | t <sub>CLQX</sub>                                       | t <sub>HO</sub>  | 0      |     |            | ns   |

Continued – next page

# W25X16, W25X16A, W25X32, W25X64



## AC Electrical Characteristics (cont'd)

| DESCRIPTION                                                    | SYMBOL               | ALT | SPEC |      |     | UNIT |
|----------------------------------------------------------------|----------------------|-----|------|------|-----|------|
|                                                                |                      |     | MIN  | TYP  | MAX |      |
| /HOLD Active Setup Time relative to CLK                        | tHLCH                |     | 5    |      |     | ns   |
| /HOLD Active Hold Time relative to CLK                         | tCHHH                |     | 5    |      |     | ns   |
| /HOLD Not Active Setup Time relative to CLK                    | tHHCH                |     | 5    |      |     | ns   |
| /HOLD Not Active Hold Time relative to CLK                     | tCHHL                |     | 5    |      |     | ns   |
| /HOLD to Output Low-Z                                          | tHHQX <sup>(2)</sup> | tLZ |      |      | 7   | ns   |
| /HOLD to Output High-Z                                         | tHLQZ <sup>(2)</sup> | tHZ |      |      | 12  | ns   |
| Write Protect Setup Time Before /CS Low                        | tWHSL <sup>(3)</sup> |     | 20   |      |     | ns   |
| Write Protect Hold Time After /CS High                         | tSHWL <sup>(3)</sup> |     | 100  |      |     | ns   |
| /CS High to Power-down Mode                                    | tDP <sup>(2)</sup>   |     |      |      | 3   | μs   |
| /CS High to Standby Mode without Electronic Signature Read     | tRES1 <sup>(2)</sup> |     |      |      | 3   | μs   |
| /CS High to Standby Mode with Electronic Signature Read        | tRES2 <sup>(2)</sup> |     |      |      | 1.8 | μs   |
| Write Status Register Time                                     | tW                   |     |      | 10   | 15  | ms   |
| Byte Program Time (First Byte) <sup>(4)</sup>                  | t <sub>BP1</sub>     |     |      | 30   | 50  | μs   |
| Additional Byte Program Time (After First Byte) <sup>(4)</sup> | t <sub>BP2</sub>     |     |      | 6    | 12  | μs   |
| Page Program Time                                              | tPP                  |     |      | 1.6  | 3   | ms   |
| Sector Erase Time (4KB) W25X16, W25X32                         | tSE                  |     |      | 150  | 300 | ms   |
| Sector Erase Time (4KB) W25X16A, W25X64                        |                      |     |      | 120  | 200 | ms   |
| Block Erase Time (64KB) W25X16, W25X32                         | tBE                  |     |      | 0.8  | 2   | s    |
| Block Erase Time (64KB) W25X16A, W25X64                        |                      |     |      | 0.32 | 1   | s    |
| Chip Erase Time W25X16                                         | tCE                  |     |      | 25   | 40  | s    |
| Chip Erase Time W25X16A                                        |                      |     |      | 10   | 20  | s    |
| Chip Erase Time W25X32, W25X64                                 |                      |     |      | 40   | 80  | s    |

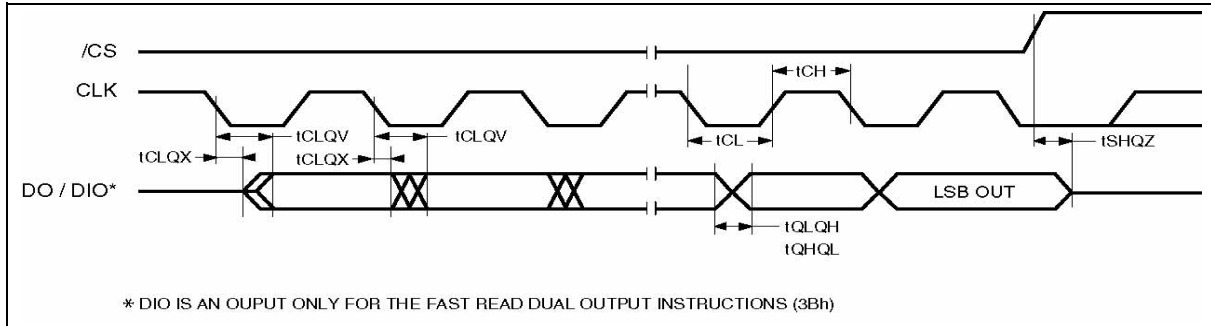
### Notes:

1. Clock high + Clock low must be less than or equal to 1/fc.
2. Value guaranteed by design and/or characterization, not 100% tested in production.
3. Only applicable as a constraint for a Write Status Register instruction when Sector Protect Bit is set to 1.
4. For multiple bytes after first byte within a page,  $t_{BPN} = t_{BP1} + t_{BP2} * N$  (typical) and  $t_{BPN} = t_{BP1} + t_{BP2} * N$  (max), where N = number of bytes programmed.

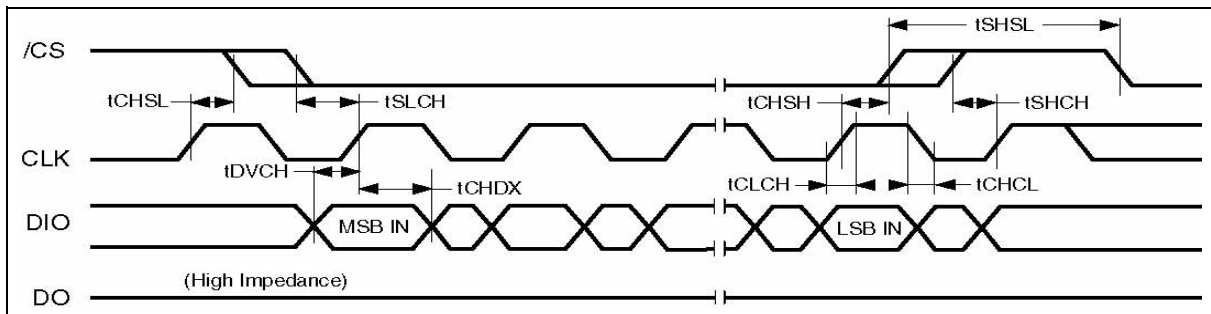
# W25X16, W25X16A, W25X32, W25X64



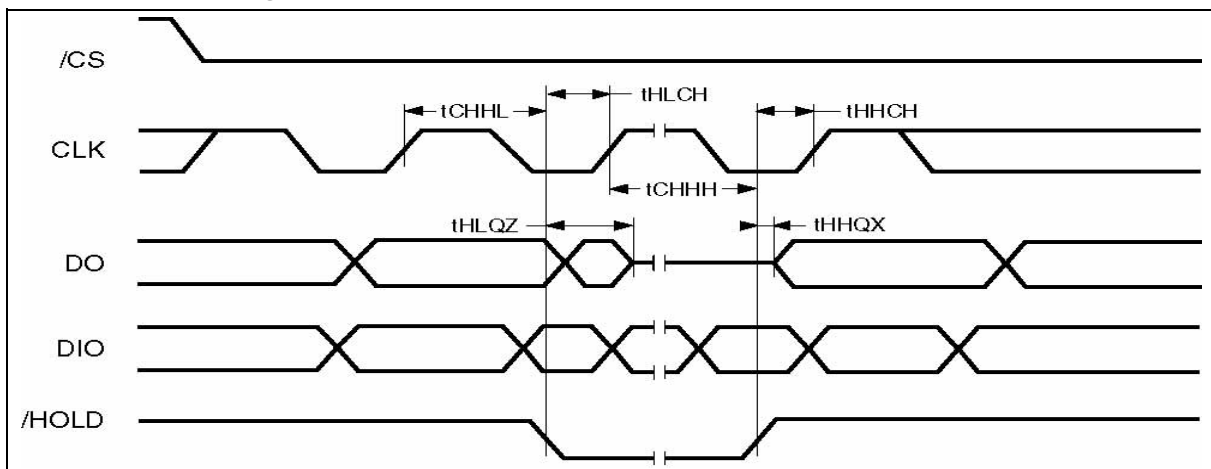
## 13.8 Serial Output Timing



## 13.9 Input Timing



## 13.10 Hold Timing

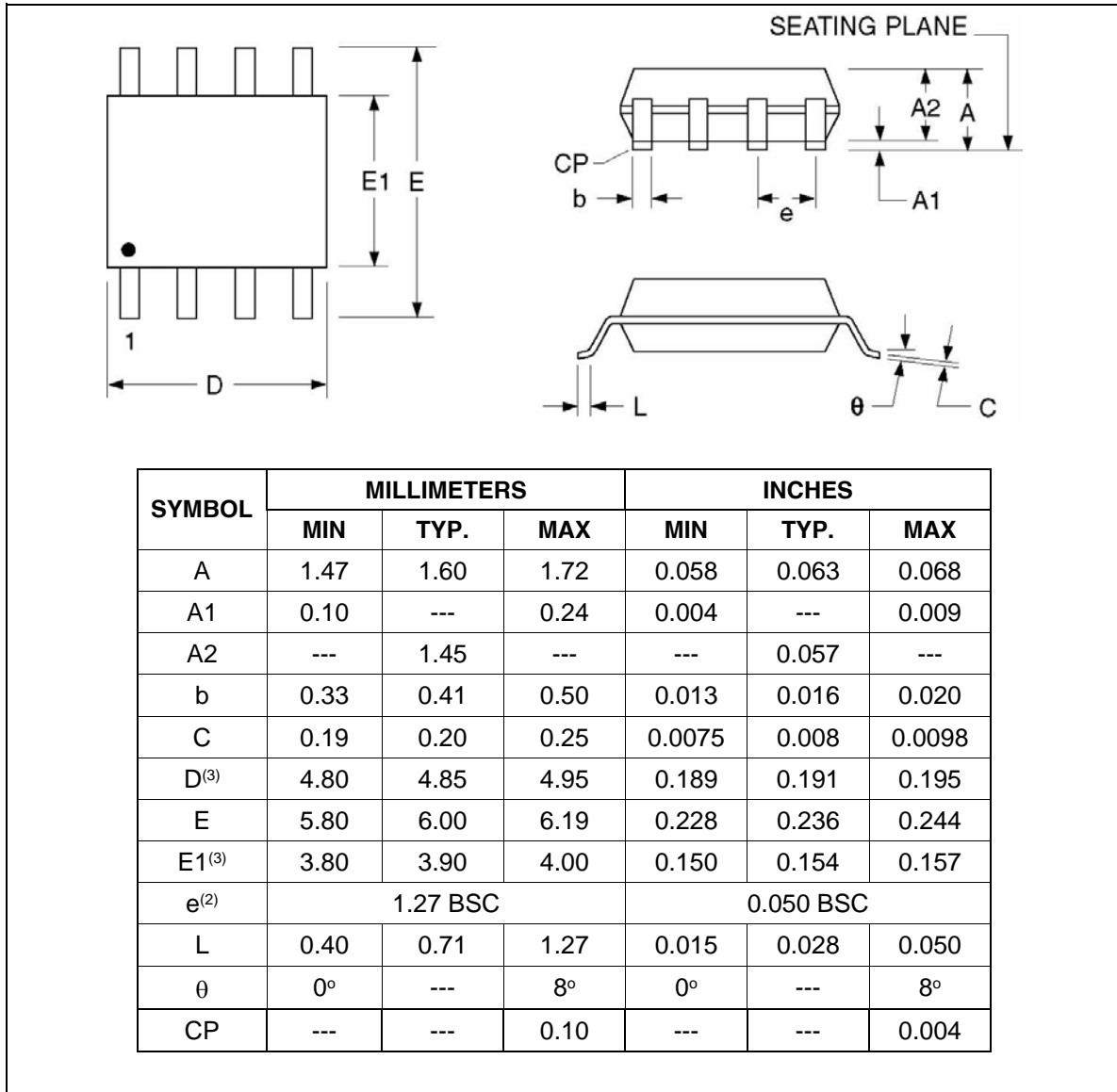


# W25X16, W25X16A, W25X32, W25X64



## 14. PACKAGE SPECIFICATION

### 14.1 8-Pin SOIC 150-mil (Package Code SN)



**Notes:**

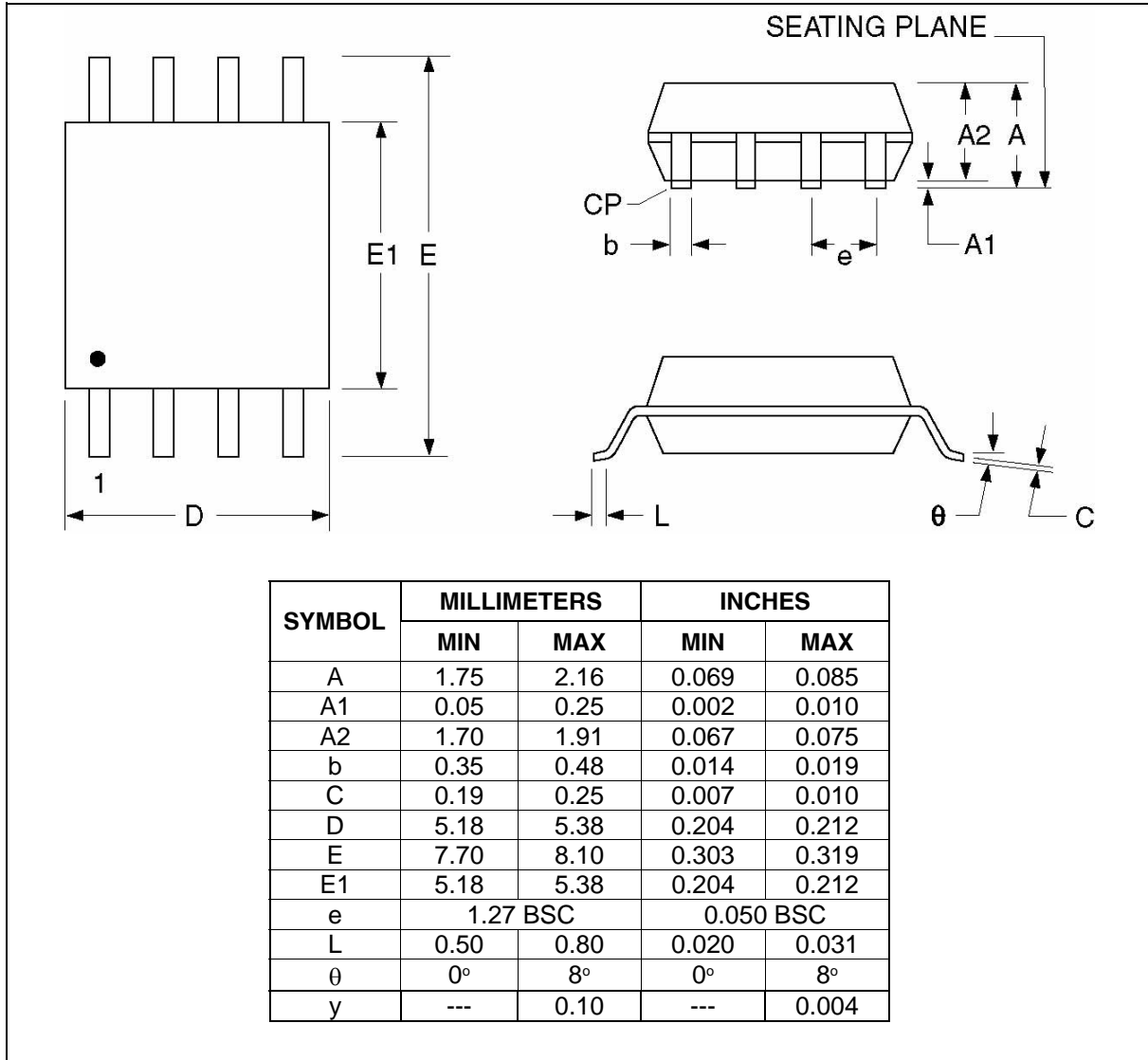
1. Controlling dimensions: inches, unless otherwise specified.
2. BSC = Basic lead spacing between centers.
3. Dimensions D and E1 do not include mold flash protrusions and should be measured from the bottom of the package.
4. Formed leads shall be planar with respect to one another within .0004 inches at the seating plane.



# W25X16, W25X16A, W25X32, W25X64



## 14.2 8-Pin SOIC 208-mil (Package Code SS)



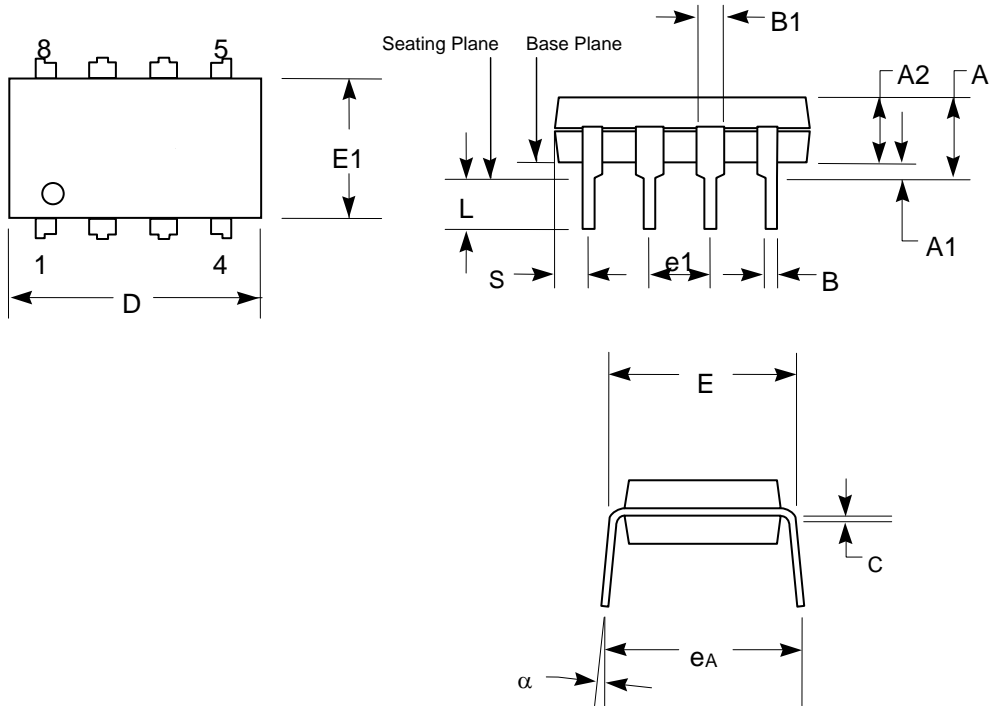
**Notes:**

1. Controlling dimensions: inches, unless otherwise specified.
2. BSC = Basic lead spacing between centers.
3. Dimensions D and E1 do not include mold flash protrusions and should be measured from the bottom of the package.
4. Formed leads shall be planar with respect to one another within .0004 inches at the seating plane.

# W25X16, W25X16A, W25X32, W25X64



## 14.3 8-Pin PDIP 300-mil (Package Code DA)

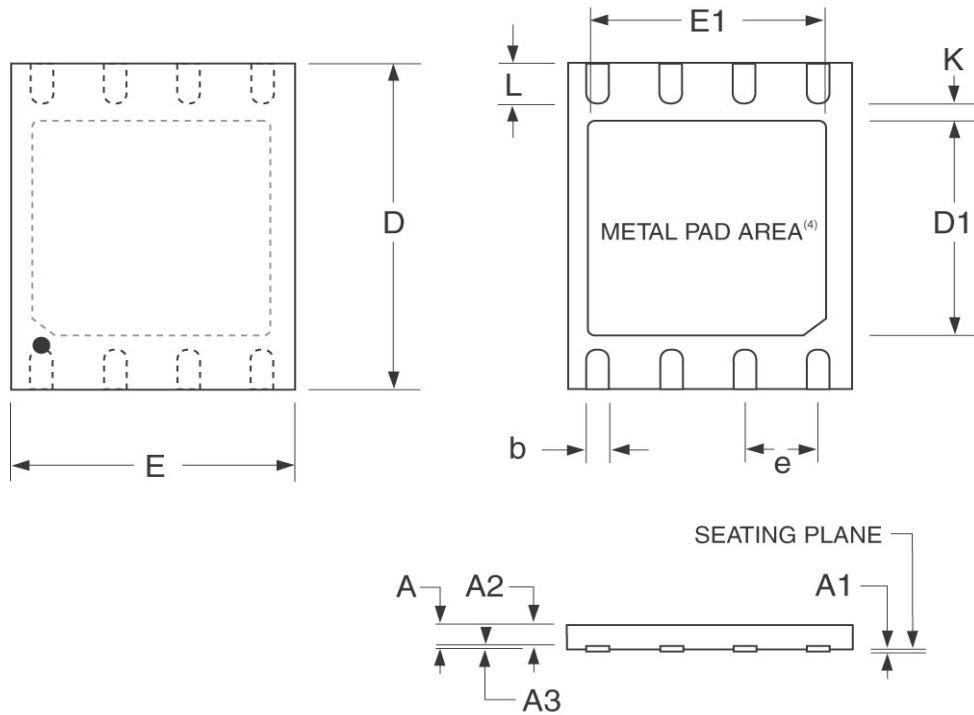


| SYMBOL | MILLIMETERS |      |       | INCHES |       |       |
|--------|-------------|------|-------|--------|-------|-------|
|        | MIN         | TYP. | MAX   | MIN    | TYP.  | MAX   |
| A      | ---         | ---  | 5.33  | ---    | ---   | 0.210 |
| A1     | 0.38        | ---  | ---   | 0.015  | ---   | ---   |
| A2     | 3.18        | 3.30 | 3.43  | 0.125  | 0.130 | 0.135 |
| B      | 0.41        | 0.46 | 0.56  | 0.016  | 0.018 | 0.022 |
| B1     | 1.47        | 1.52 | 1.63  | 0.058  | 0.060 | 0.064 |
| c      | 0.20        | 0.25 | 0.36  | 0.008  | 0.010 | 0.014 |
| D      | 9.02        | 9.27 | 10.16 | 0.355  | 0.365 | 0.400 |
| E      | 7.37        | 7.62 | 7.87  | 0.290  | 0.300 | 0.310 |
| E1     | 6.22        | 6.35 | 6.48  | 0.245  | 0.250 | 0.255 |
| e1     | 2.29        | 2.54 | 2.79  | 0.090  | 0.100 | 0.110 |
| L      | 2.92        | 3.30 | 3.81  | 0.115  | 0.130 | 0.150 |
| α      | 0           | 7    | 15    | 0      | 7     | 15    |
| eA     | 8.51        | 9.02 | 9.53  | 0.335  | 0.355 | 0.375 |
| S      | ---         | ---  | 1.14  | ---    | ---   | 0.045 |

# W25X16, W25X16A, W25X32, W25X64



## 14.4 8-Contact 6x5mm WSON (Package Code ZP)

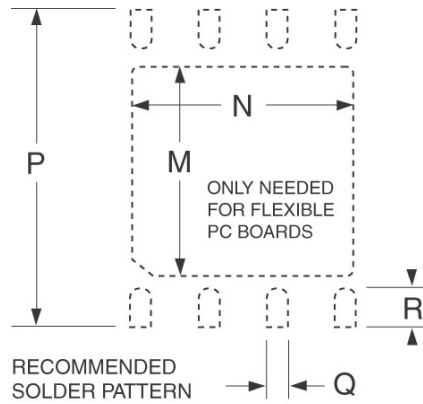


| SYMBOL            | MILLIMETERS |       |      | INCHES     |        |        |
|-------------------|-------------|-------|------|------------|--------|--------|
|                   | MIN         | TYP.  | MAX  | MIN        | TYP.   | MAX    |
| A                 | 0.70        | 0.75  | 0.80 | 0.0276     | 0.0295 | 0.0315 |
| A1                | 0.00        | 0.02  | 0.05 | 0.0000     | 0.0008 | 0.0019 |
| A2                |             | 0.55  |      |            | 0.0126 |        |
| A3                | 0.19        | .0.20 | 0.25 | 0.0075     | 0.0080 | 0.0098 |
| b                 | 0.36        | 0.40  | 0.48 | 0.0138     | 0.0157 | 0.0190 |
| D <sup>(3)</sup>  | 5.90        | 6.00  | 6.10 | 0.2320     | 0.2360 | 0.2400 |
| D1                | 3.30        | 3.40  | 3.50 | 0.1299     | 0.1338 | 0.1377 |
| E                 | 4.90        | 5.00  | 5.10 | 0.1930     | 0.1970 | 0.2010 |
| E1 <sup>(3)</sup> | 4.20        | 4.30  | 4.40 | 0.1653     | 0.1692 | 0.1732 |
| e <sup>(2)</sup>  | 1.27 BSC    |       |      | 0.0500 BSC |        |        |
| K                 | 0.20        |       |      | 0.0080     |        |        |
| L                 | 0.50        | 0.60  | 0.75 | 0.0197     | 0.0236 | 0.0295 |

# W25X16, W25X16A, W25X32, W25X64



## 8-Contact 6x5mm WSON Cont'd.



| SYMBOL                | MILLIMETERS |      |     | INCHES |        |     |
|-----------------------|-------------|------|-----|--------|--------|-----|
|                       | MIN         | TYP. | MAX | MIN    | TYP.   | MAX |
| <b>SOLDER PATTERN</b> |             |      |     |        |        |     |
| M                     |             | 3.40 |     |        | 0.1338 |     |
| N                     |             | 4.30 |     |        | 0.1692 |     |
| P                     |             | 6.00 |     |        | 0.2360 |     |
| Q                     |             | 0.50 |     |        | 0.0196 |     |
| R                     |             | 0.75 |     |        | 0.0255 |     |

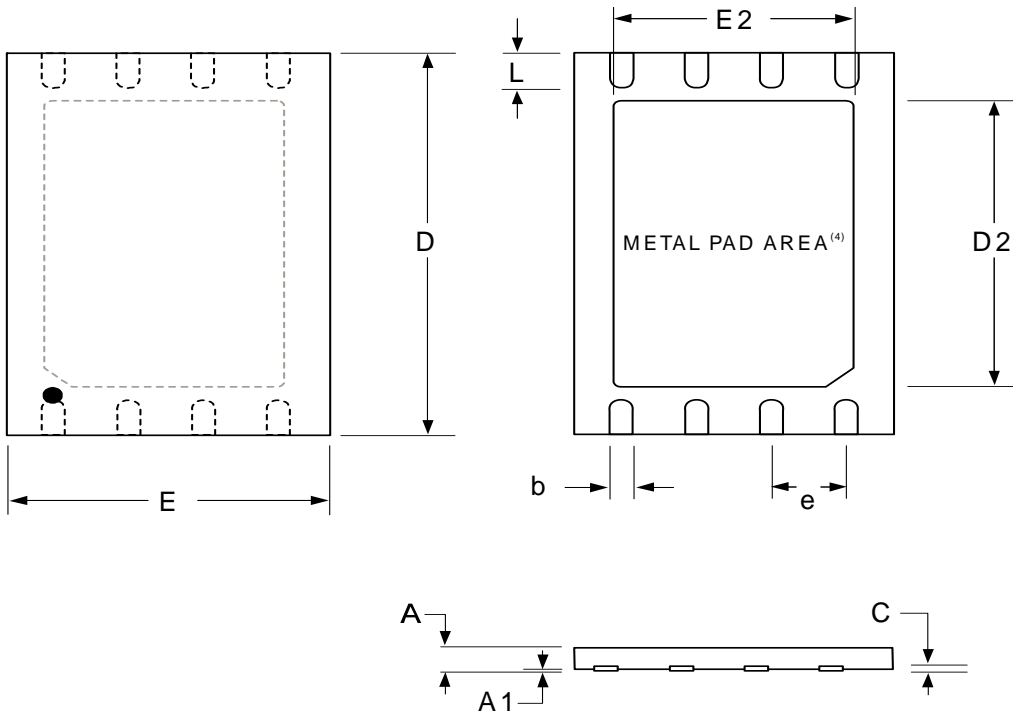
### Notes:

1. Advanced Packaging Information; please contact Winbond for the latest minimum and maximum specifications.
2. BSC = Basic lead spacing between centers.
3. Dimensions D and E1 do not include mold flash protrusions and should be measured from the bottom of the package.
4. The metal pad area on the bottom center of the package is connected to the device ground (GND pin). Avoid placement of exposed PCB vias under the pad.

# W25X16, W25X16A, W25X32, W25X64



## 14.5 8-Contact 8x6mm WSON (Package Code ZE)

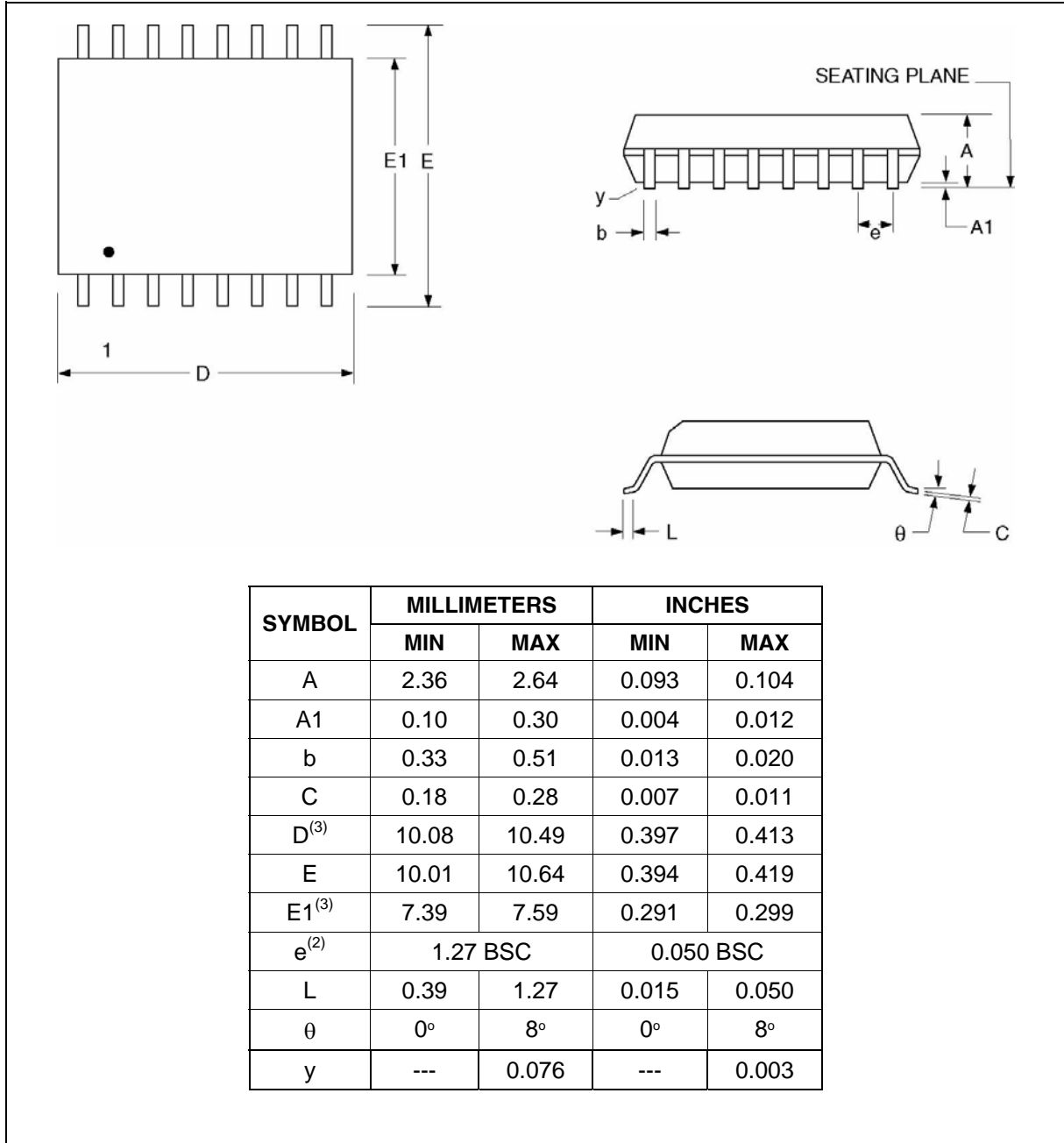


| SYMBOL | MILLIMETERS |       |      | INCHES     |        |        |
|--------|-------------|-------|------|------------|--------|--------|
|        | MIN         | TYP.  | MAX  | MIN        | TYP.   | MAX    |
| A      | 0.70        | 0.75  | 0.80 | 0.0276     | 0.0295 | 0.0315 |
| A1     | 0.00        | 0.02  | 0.05 | 0.0000     | 0.0008 | 0.0019 |
| b      | 0.35        | 0.40  | 0.48 | 0.0138     | 0.0157 | 0.0189 |
| C      | 0.19        | .0.20 | 0.25 | 0.0075     | 0.0079 | 0.0098 |
| D      | 7.90        | 8.00  | 8.10 | 0.3110     | 0.3150 | 0.3189 |
| D2     | 4.60        | 4.65  | 4.70 | 0.1811     | 0.1831 | 0.1850 |
| E      | 5.90        | 6.00  | 6.10 | 0.2323     | 0.2362 | 0.2402 |
| E2     | 5.15        | 5.20  | 5.25 | 0.2028     | 0.2047 | 0.2067 |
| e      | 1.27 BSC    |       |      | 0.0500 BSC |        |        |
| L      | 0.45        | 0.50  | 0.55 | 0.0177     | 0.0197 | 0.0217 |

# W25X16, W25X16A, W25X32, W25X64



## 14.6 16-Pin SOIC 300-mil (Winbond Package Code SF)



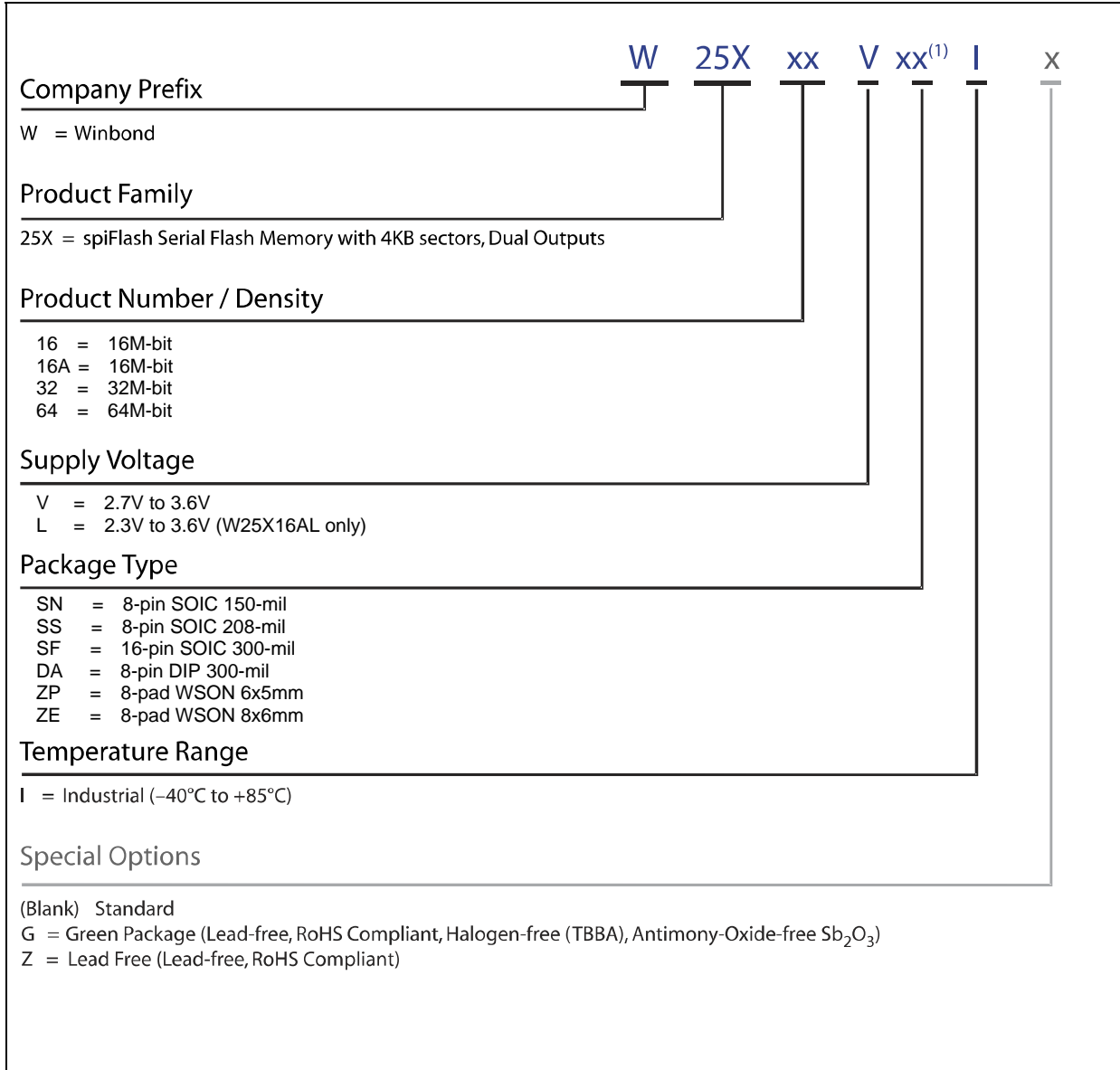
**Notes:**

1. Controlling dimensions: inches, unless otherwise specified.
2. BSC = Basic lead spacing between centers.
3. Dimensions D and E1 do not include mold flash protrusions and should be measured from the bottom of the package.

# W25X16, W25X16A, W25X32, W25X64



## 15. ORDERING INFORMATION <sup>(1)</sup>



### Notes:

- 1a. Only the 2<sup>nd</sup> letter is used for the part marking; WSON package types ZP & ZE are not used for the top marking.
- 1b. Standard bulk shipments are in Tube (shape E). Please specify alternate packing method, such as Tape and Reel (shape T), when placing orders.
- 1c. The "W" prefix is not included on the part marking.

# W25X16, W25X16A, W25X32, W25X64



## Valid Part Numbers and Top Side Marking:

The following table provides the valid part numbers for the 25X16/16A/32/64 SpiFlash Memories. Please contact *Winbond* for specific availability by density and package type. *Winbond* SpiFlash memories use an 11-digit Product Number for ordering. However, due to limited space, the Top Side Marking on all packages use an abbreviated 9-digit number.

| PACKAGE TYPE                | DENSITY | PRODUCT NUMBER | TOP SIDE MARKING |
|-----------------------------|---------|----------------|------------------|
| <b>SN</b><br>SOIC-8 150mil  | 16M-bit | W25X16AVSNIG   | 25X16AVNIG       |
|                             |         | W25X16ALSNIG   | 25X16ALNIG       |
| <b>SS</b><br>SOIC-8 208mil  | 16M-bit | W25X16VSSIG    | 25X16VVSIG       |
|                             | 32M-bit | W25X16AVSSIG   | 25X16AVSIG       |
|                             |         | W25X16ALSSIG   | 25X16ALSIG       |
| <b>SF</b><br>SOIC-16 300mil | 16M-bit | W25X16VSFIG    | 25X16VFIG        |
|                             | 32M-bit | W25X16AVSFIG   | 25X16AVFIG       |
|                             |         | W25X16ALSFIG   | 25X15ALFIG       |
|                             | 64M-bit | W25X32VSFIG    | 25X32VFIG        |
| <b>ZP</b><br>WSON-8 6x5mm   | 16M-bit | W25X16VZPIG    | 25X16VIG         |
|                             |         | W25X16AVZPIG   | 25X16AVIG        |
|                             |         | W25X16ALZPIG   | 25X16ALIG        |
| <b>ZE</b><br>WSON-8 8x6mm   | 32M-bit | W25X32VZEIG    | 25X32VIG         |
|                             | 64M-bit | W25X64VZEIG    | 25X64VIG         |
| <b>DA</b><br>PDIP-8 300mil  | 16M-bit | W25X16VDAIZ    | 25X16VAIZ        |
|                             | 32M-bit | W25X16AVDAIZ   | 25X16AVAIZ       |
|                             |         | W25X16ALDAIZ   | 25X16ALAIZ       |
|                             | 64M-bit | W25X32VDAIZ    | 25X32VAIZ        |
|                             |         | W25X64VDAIZ    | 25X64VAIZ        |

### Notes:

1. For WSON packages, the package type ZP, ZE are not used in the top side marking.



# W25X16, W25X16A, W25X32, W25X64



## 16. REVISION HISTORY

| VERSION | DATE     | PAGE                     | DESCRIPTION                                                                                                                                                                                                                                                                                                                                                                                                                     |
|---------|----------|--------------------------|---------------------------------------------------------------------------------------------------------------------------------------------------------------------------------------------------------------------------------------------------------------------------------------------------------------------------------------------------------------------------------------------------------------------------------|
| A       | 02/13/06 |                          | New Create                                                                                                                                                                                                                                                                                                                                                                                                                      |
| B       | 06/28/06 | 1-4, 6, 32-36, 41 & 42   | Added W25X64 in the product family. Added 300mil PDIP package. Added 6x5 mm WSON package. Updated Endurance and Data Retention table (11.3), ICC's in DC Parameter table (11.5 & 11.6). Reduced tPP (max) from 5mS to 3mS. Changed tSHCH from 5nS to 0nS. Added byte programming parameters (tBP1 & tBPn. Added additional byte programming parameter, tBP2 and moved multiple byte programming tBPn with formula to foot note. |
| C       | 10/19/06 | 18, 35, 37 & 45          | Changed tCHSH and tSHCH respectively from 10nS and 0nS to 5nS and 5nS. Modified the ordering information table to eliminate the hyphen in the part number. Corrected Write Enable/Disable text. Change ICC2 from 5uA to 10uA.. Added footnotes in the ordering information table. Updated ICC3 specs.                                                                                                                           |
| D       | 2/1/07   | 4 - 8 & 45               | Updated package and ordering information.                                                                                                                                                                                                                                                                                                                                                                                       |
| E       | 2/26/07  | 6-9, 29, 33, 35, 38 & 45 | Updated Figure 2.<br>Updated ICC3 specs.<br>Added Valid Combinations for ordering info.<br>Added transient voltage specification.<br>Removed preliminary designation for 25X16.<br>Updated typical ratings on erase operations.                                                                                                                                                                                                 |
| F       | 3/21/07  | 34, 35, 41 & 46          | Updated table 12.3.<br>Updated ICC3 and ICC5 specs.<br>Added 300mil DIP package.<br>Added valid part number and marking table.                                                                                                                                                                                                                                                                                                  |
| G       | 10/11/07 | All, 37, 38 & 44         | Added W25X16A.<br>Added WSON 8x6-MM drawing.<br>Updated Erase Time, tSHSL, tBP1.                                                                                                                                                                                                                                                                                                                                                |
| H       | 02/21/08 | 1, 33, 37, 46 & 47       | Added W25X16A 150mil SOIC package.<br>Added W25X16AL (2.3V-3.6V).<br>Updated clock frequency.<br>Added note for WSON top side marking.                                                                                                                                                                                                                                                                                          |
| I       | 05/05/08 | 42                       | Update 8-pin PDIP package dimensions                                                                                                                                                                                                                                                                                                                                                                                            |

# W25X16, W25X16A, W25X32, W25X64



## Preliminary Designation

The "Preliminary" designation on a *Winbond* datasheet indicates that the product is not fully characterized. The specifications are subject to change and are not guaranteed. *Winbond* or an authorized sales representative should be consulted for current information before using this product.

## Trademarks

*Winbond* and *SpiFlash* are trademarks of *Winbond Electronics Corporation*. All other marks are the property of their respective owner.

## Important Notice

Winbond products are not designed, intended, authorized or warranted for use as components in systems or equipment intended for surgical implantation, atomic energy control instruments, airplane or spaceship instruments, transportation instruments, traffic signal instruments, combustion control instruments, or for other applications intended to support or sustain life. Further more, Winbond products are not intended for applications wherein failure of Winbond products could result or lead to a situation wherein personal injury, death or severe property or environmental damage could occur. Winbond customers using or selling these products for use in such applications do so at their own risk and agree to fully indemnify Winbond for any damages resulting from such improper use or sales.

Information in this document is provided solely in connection with Winbond products. Winbond reserves the right to make changes, corrections, modifications or improvements to this document and the products and services described herein at any time, without notice.

---

Please note that all data and specifications are subject to change without notice.  
All the trademarks of products and companies mentioned in this datasheet belong to their respective owners.