

### PRODUCT DESCRIPTION

The SD06 is a low noise, low voltage, and low power operational amplifier that can be designed into a wide range of applications. The SD06 has a high gain-bandwidth product of 6MHz, a slew rate of 3.7V/ $\mu$ s, and a quiescent current of 960 $\mu$ A at 5V.

The SD06 is designed to provide optimal performance in low voltage and low noise system. It provides rail-to-rail output swing into heavy load. The input common mode voltage range includes ground, and the maximum input offset voltage is 3.5mV for SD06. The operating range is from 2V to 5.5V.

The SD06 is available in Green SOIC-8 package. It is specified over the extended industrial temperature range (-40°C to +125°C).

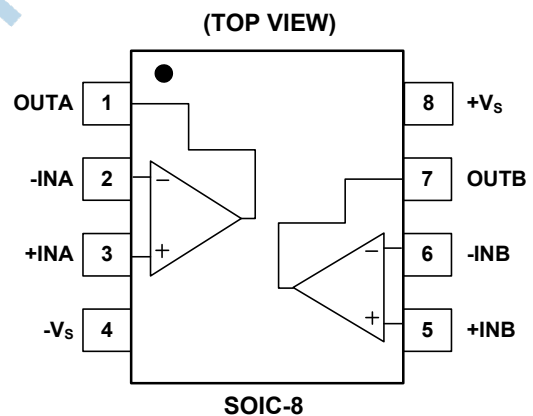
### APPLICATIONS

- Sensors
- Audio
- Active Filters
- A/D Converters
- Communications
- Test Equipment
- Cellular and Cordless Phones
- Laptops and PDAs
- Photodiode Amplification
- Battery-Powered Instrumentation

### FEATURES

- Rail-to-Rail Input and Output
- 0.9mV Typical  $V_{OS}$
- High Gain-Bandwidth Product: 6MHz
- High Slew Rate: 3.7V/ $\mu$ s
- Settling Time to 0.1% with 2V Step: 0.5 $\mu$ s
- Overload Recovery Time: 0.9 $\mu$ s
- Low Noise: 13nV/ $\sqrt{\text{Hz}}$  at 1kHz
- Supply Voltage Range: 2V to 5.5V
- Input Voltage Range: -0.1V to +5.6V with  $V_S = 5.5V$
- Low Supply Current: 960 $\mu$ A (TYP)
- Available in Green SOIC-8 Package

### PIN CONFIGURATION



**SD06**

**PACKAGE/ORDERING INFORMATION**

MODEL	PACKAGE DESCRIPTION	SPECIFIED TEMPERATURE RANGE	ORDERING NUMBER	PACKAGE MARKING	PACKING OPTION
SD06	SOIC-8	-40°C to +125°C	SD06/TR	SD06 XXXXX	Tape and Reel, 2500

NOTE: XXXXX = Date Code and Vendor Code.

Green (RoHS & HSF): SG Micro Corp defines "Green" to mean Pb-Free (RoHS compatible) and free of halogen substances. If you have additional comments or questions, please contact your SGMICRO representative directly.

**ABSOLUTE MAXIMUM RATINGS**

Supply Voltage, +V<sub>S</sub> to -V<sub>S</sub> .....6V  
 Input Common Mode Voltage Range  
 ..... (-V<sub>S</sub>) - 0.3V to (+V<sub>S</sub>) + 0.3V  
 Storage Temperature Range .....-65°C to +150°C  
 Junction Temperature .....150°C  
 Package Thermal Resistance @ T<sub>A</sub> = 25°C  
 SOIC-8, θ<sub>JA</sub> ..... 125°C/W  
 Lead Temperature (Soldering 10sec)  
 .....260°C  
 ESD Susceptibility  
 HBM ..... 8000V  
 MM ..... 400V  
 CDM ..... 1000V

**RECOMMENDED OPERATING CONDITIONS**

Operating Temperature Range .....-40°C to +125°C

**OVERSTRESS CAUTION**

Stresses beyond those listed may cause permanent damage to the device. Functional operation of the device at these or any other conditions beyond those indicated in the operational section of the specification is not implied. Exposure to absolute maximum rating conditions for extended periods may affect reliability.

**ESD SENSITIVITY CAUTION**

This integrated circuit can be damaged by ESD if you don't pay attention to ESD protection. SGMICRO recommends that all integrated circuits be handled with appropriate precautions. Failure to observe proper handling and installation procedures can cause damage. ESD damage can range from subtle performance degradation to complete device failure. Precision integrated circuits may be more susceptible to damage because very small parametric changes could cause the device not to meet its published specifications.

**DISCLAIMER**

SG Micro Corp reserves the right to make any change in circuit design, specification or other related things if necessary without notice at any time.

SGMICRO CONFIDENTIAL  
RELEASED TO FREEMAN TECHNOLOGY  
DO NOT DISTRIBUTE

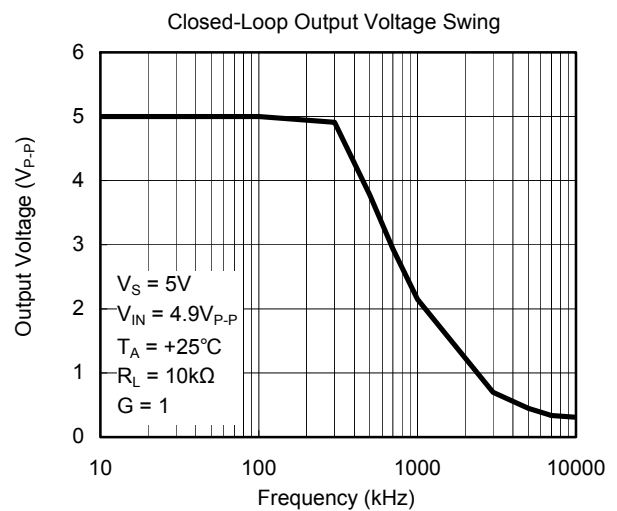
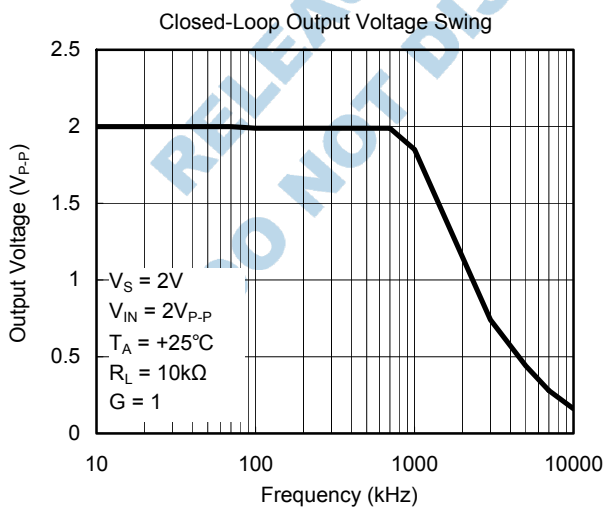
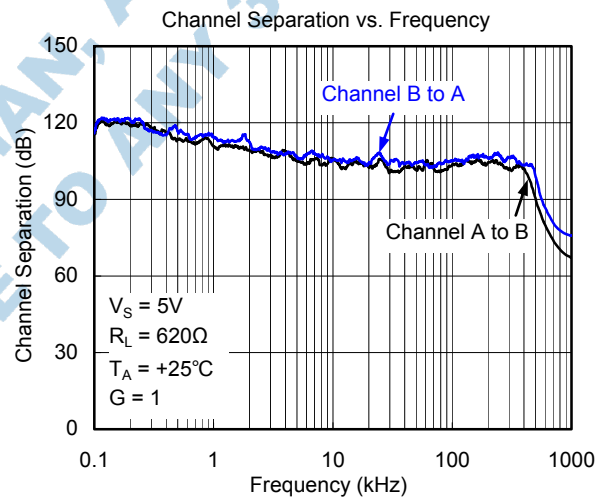
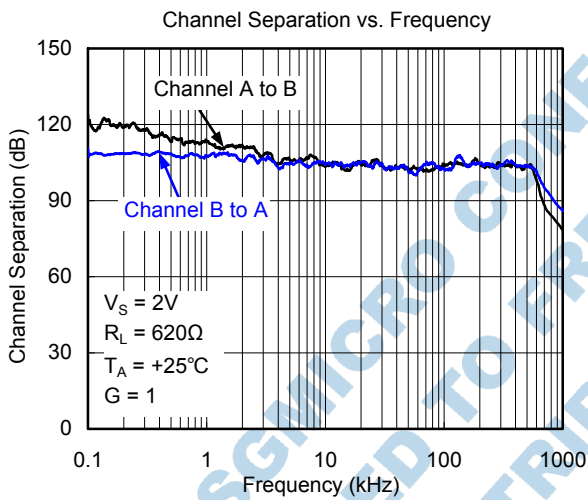
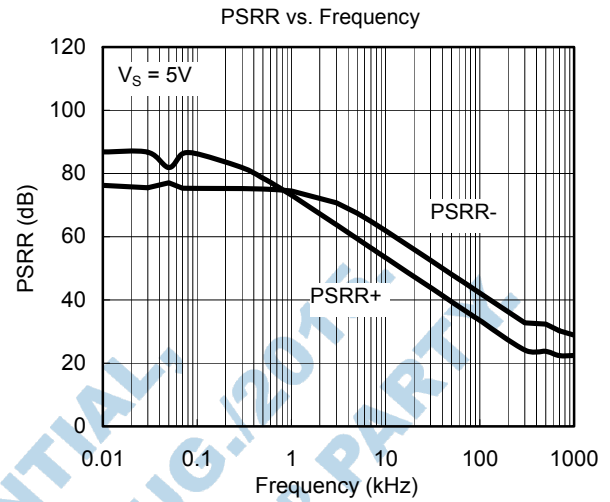
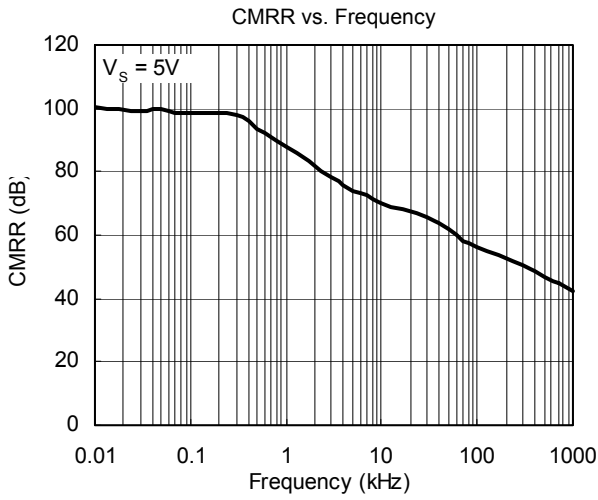
## ELECTRICAL CHARACTERISTICS

(At  $T_A = +25^\circ\text{C}$ ,  $V_S = +5\text{V}$ ,  $V_{CM} = V_S/2$ ,  $R_L = 600\Omega$ , unless otherwise noted.)

PARAMETER	CONDITIONS	SD06						
		TYP	MIN/MAX OVER TEMPERATURE				UNITS	MIN/MAX
		+25°C	+25°C	-40°C to +85°C	-40°C to +125°C			
<b>INPUT CHARACTERISTICS</b>								
Input Offset Voltage ( $V_{OS}$ )		0.9	3.5	3.7	3.8	mV	MAX	
Input Bias Current ( $I_B$ )		1				pA	TYP	
Input Offset Current ( $I_{OS}$ )		1				pA	TYP	
Input Common Mode Voltage Range ( $V_{CM}$ )	$V_S = 5.5\text{V}$	-0.1 to 5.6				V	TYP	
Common Mode Rejection Ratio (CMRR)	$V_S = 5.5\text{V}$ , $V_{CM} = -0.1\text{V}$ to $4\text{V}$	84	68	67	66	dB	MIN	
	$V_S = 5.5\text{V}$ , $V_{CM} = -0.1\text{V}$ to $5.6\text{V}$	76				dB	MIN	
Open-Loop Voltage Gain ( $A_{OL}$ )	$R_L = 600\Omega$ , $V_O = 0.15\text{V}$ to $4.85\text{V}$	92	83	76	60	dB	MIN	
	$R_L = 10\text{k}\Omega$ , $V_O = 0.05\text{V}$ to $4.95\text{V}$	103				dB	MIN	
Input Offset Voltage Drift ( $\Delta V_{OS}/\Delta T$ )		2.4				$\mu\text{V}/^\circ\text{C}$	TYP	
<b>OUTPUT CHARACTERISTICS</b>								
Output Voltage Swing from Rail	$R_L = 600\Omega$	0.079				V	TYP	
	$R_L = 10\text{k}\Omega$	0.007				V	TYP	
Output Current ( $I_{OUT}$ )		51	39	28	22	mA	MIN	
Closed-Loop Output Impedance	$f = 200\text{kHz}$ , $G = 1$	5.4				$\Omega$	TYP	
<b>POWER SUPPLY</b>								
Operating Voltage Range		2	2	2	2	V	MIN	
		5.5	5.5	5.5	5.5	V	MAX	
Power Supply Rejection Ratio (PSRR)	$V_S = 2\text{V}$ to $5.5\text{V}$ , $V_{CM} = (-V_S) + 0.5\text{V}$	84	69	68	67	dB	MIN	
Quiescent Current ( $I_Q$ )	$I_{OUT} = 0$	0.96	1.25	1.45	1.57	mA	MAX	
<b>DYNAMIC PERFORMANCE</b>								
Gain-Bandwidth Product (GBP)		6				MHz	TYP	
Phase Margin ( $\phi_0$ )		63				$^\circ$	TYP	
Full Power Bandwidth ( $BW_P$ )	<1% distortion	250				kHz	TYP	
Slew Rate (SR)	$G=1$ , 2V output step	3.7				$\text{V}/\mu\text{s}$	TYP	
Settling Time to 0.1% ( $t_s$ )	$G=1$ , 2V output step	0.5				$\mu\text{s}$	TYP	
Overload Recovery Time	$V_{IN} \times \text{Gain} = V_S$	0.9				$\mu\text{s}$	TYP	
<b>NOISE PERFORMANCE</b>								
Voltage Noise Density ( $e_n$ )	$f = 1\text{kHz}$	13				$\text{nV}/\sqrt{\text{Hz}}$	TYP	

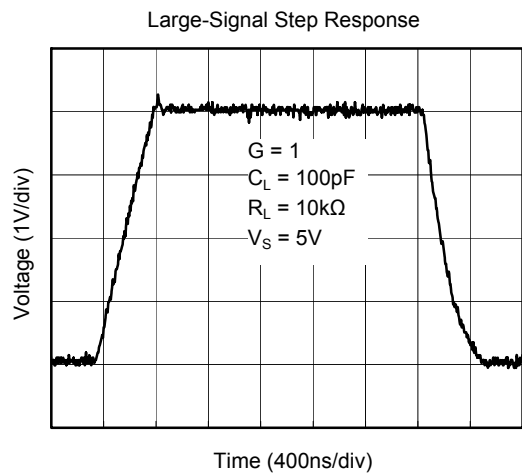
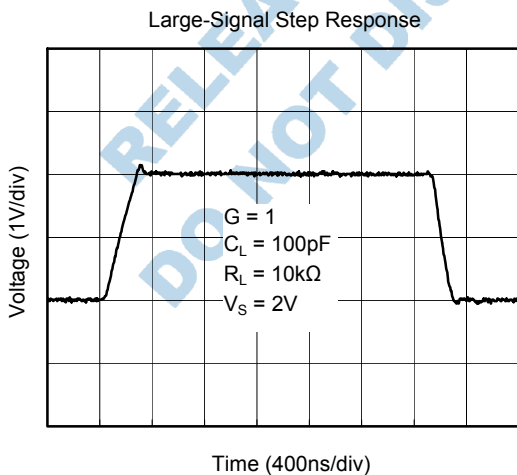
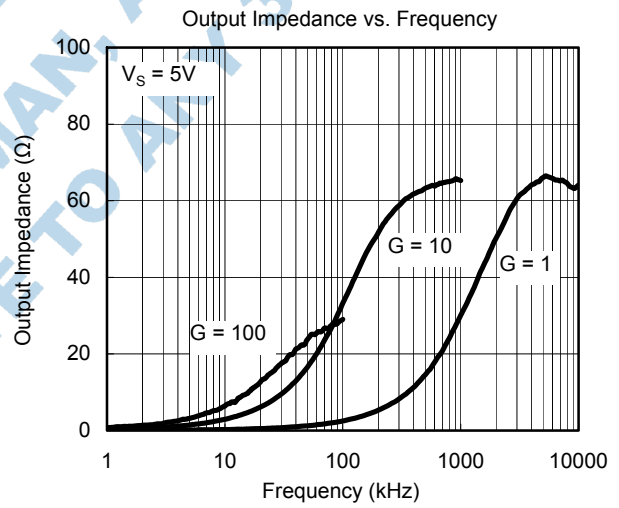
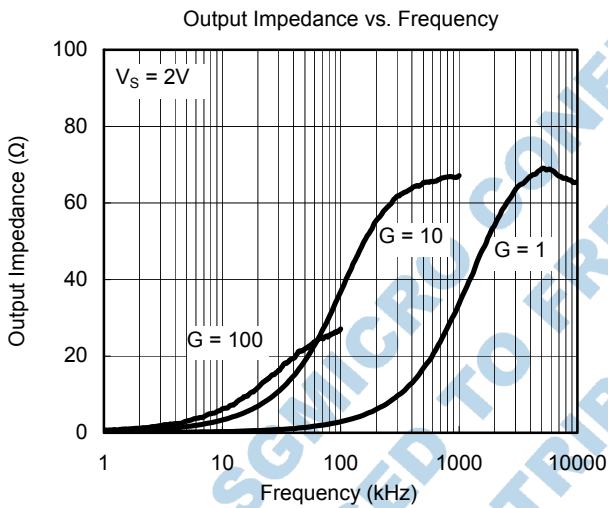
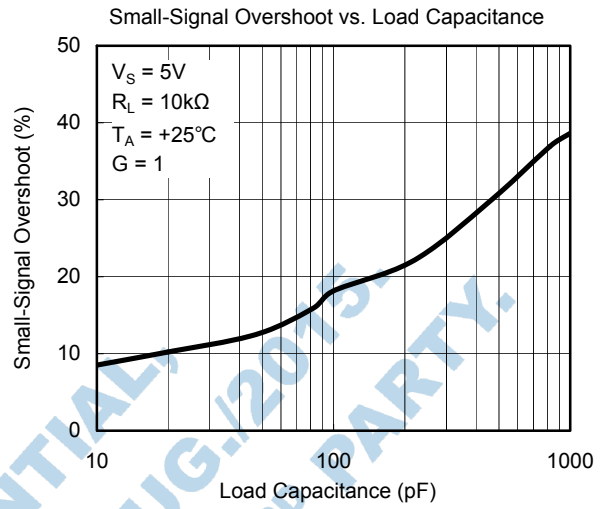
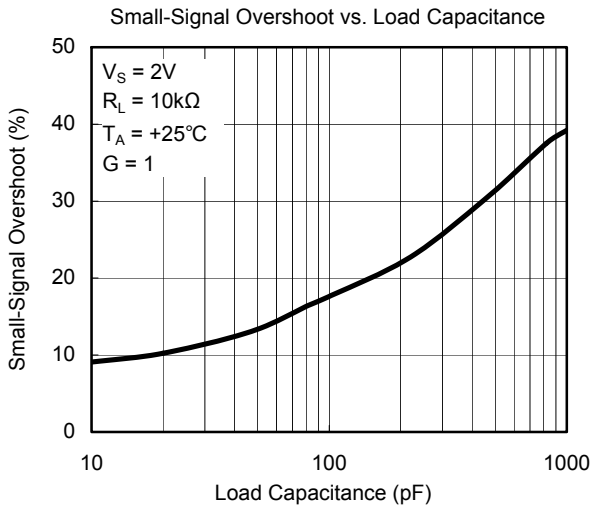
TYPICAL PERFORMANCE CHARACTERISTICS

At  $T_A = +25^\circ\text{C}$ ,  $V_{CM} = V_S/2$ ,  $R_L = 600\Omega$ , unless otherwise noted.



TYPICAL PERFORMANCE CHARACTERISTICS

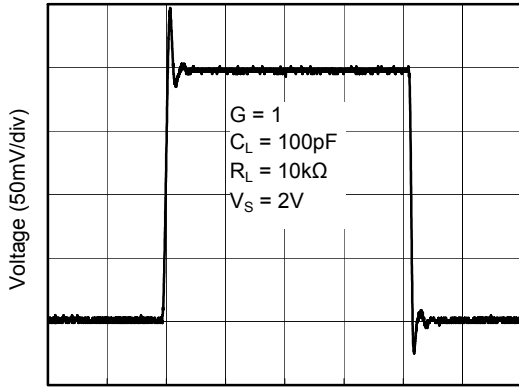
At  $T_A = +25^\circ\text{C}$ ,  $V_{CM} = V_S/2$ ,  $R_L = 600\Omega$ , unless otherwise noted.



TYPICAL PERFORMANCE CHARACTERISTICS

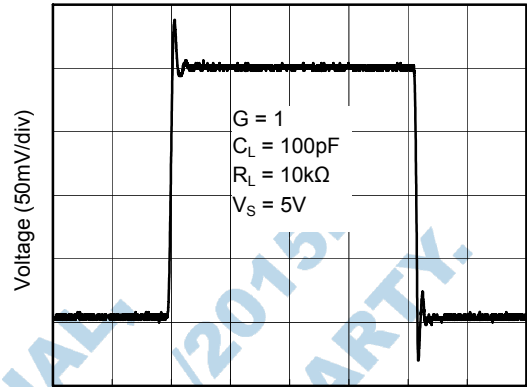
At  $T_A = +25^\circ\text{C}$ ,  $V_{CM} = V_S/2$ ,  $R_L = 600\Omega$ , unless otherwise noted.

Small-Signal Step Response



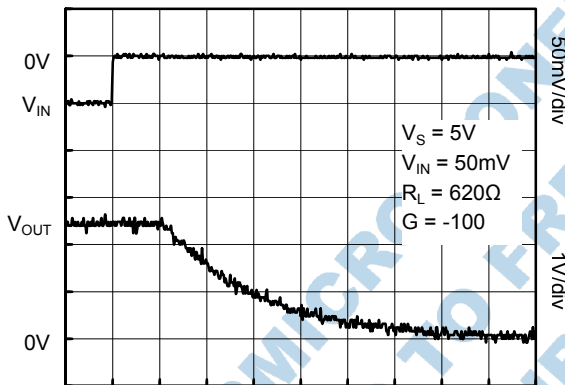
Time (1 $\mu$ s/div)

Small-Signal Step Response



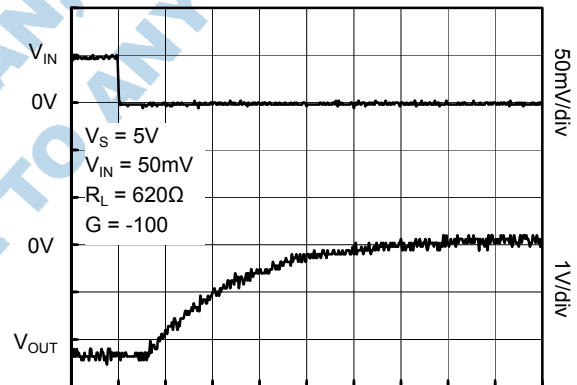
Time (1 $\mu$ s/div)

Positive overload Recovery



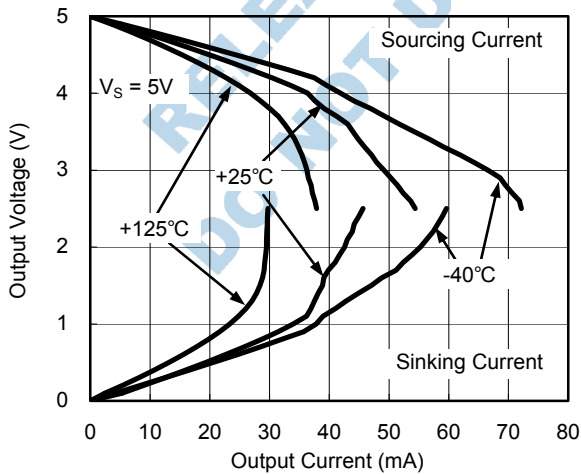
Time (1 $\mu$ s/div)

Negative Overload Recovery

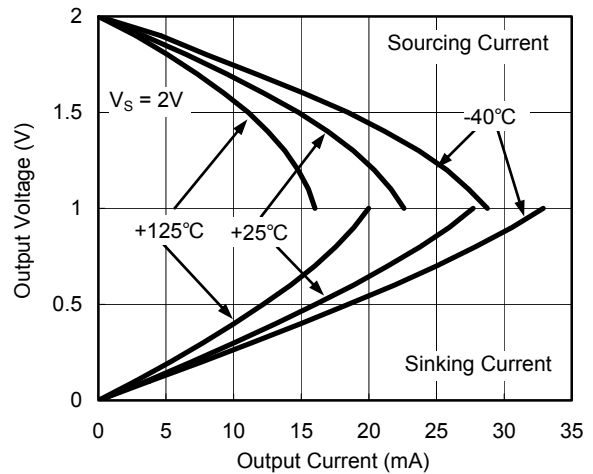


Time (1 $\mu$ s/div)

Output Voltage Swing vs. Output Current

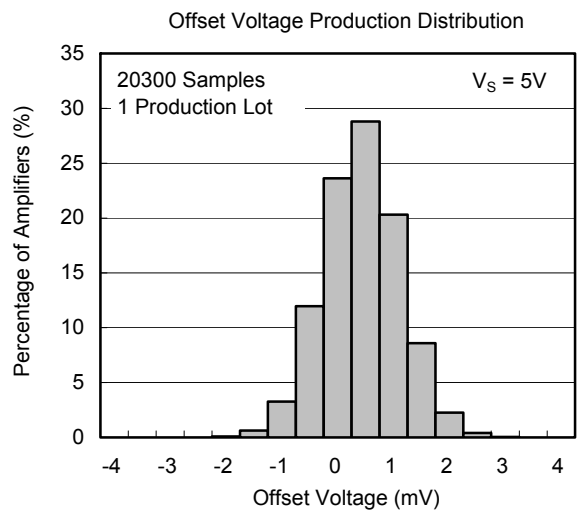
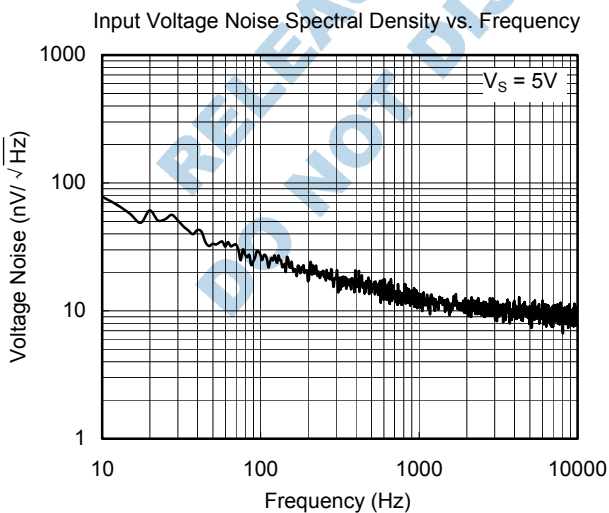
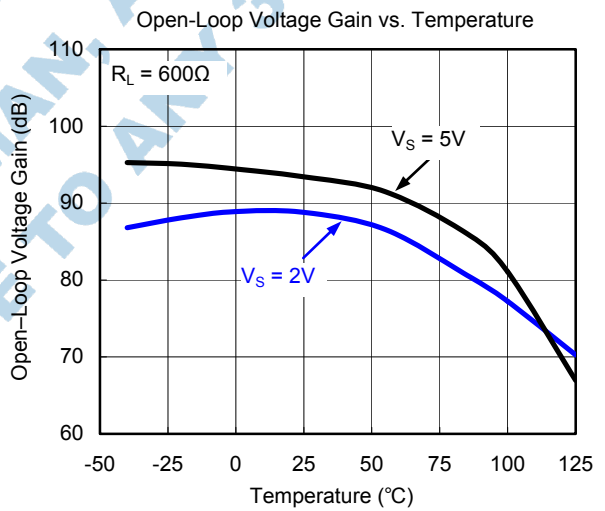
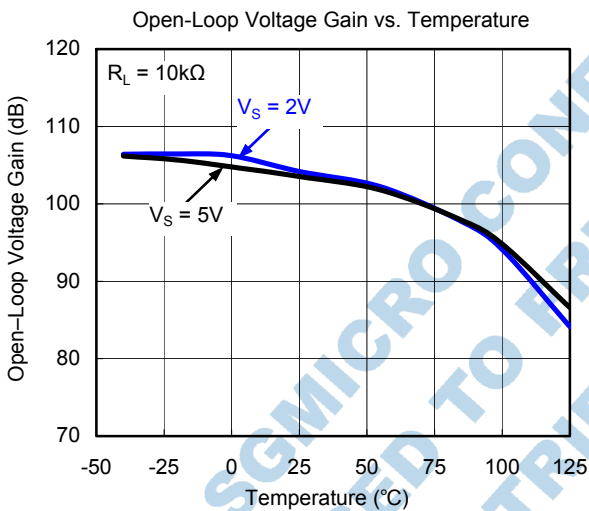
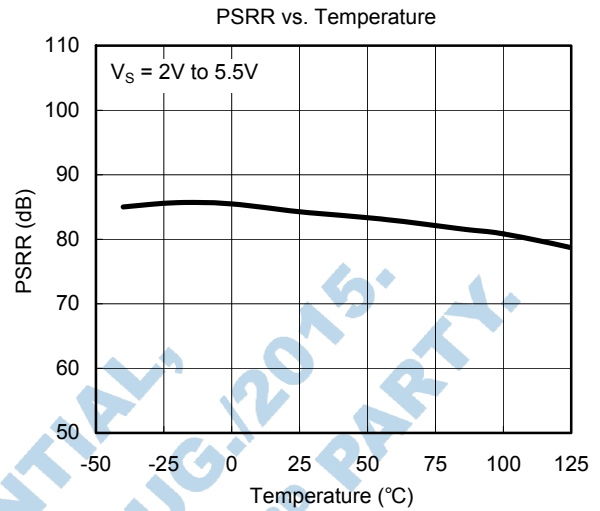
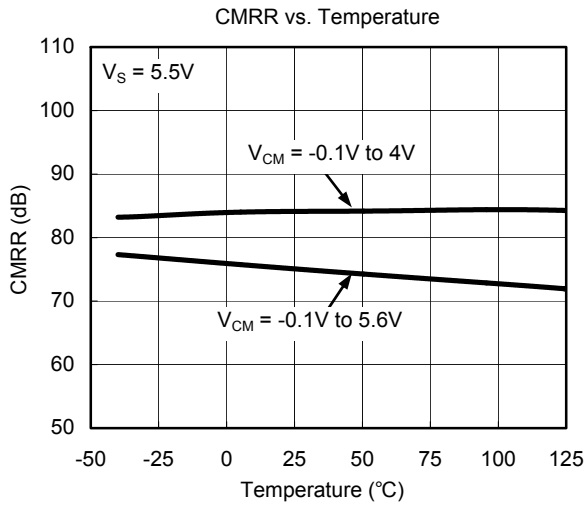


Output Voltage Swing vs. Output Current



TYPICAL PERFORMANCE CHARACTERISTICS

At  $T_A = +25^\circ\text{C}$ ,  $V_{CM} = V_S/2$ ,  $R_L = 600\Omega$ , unless otherwise noted.



SD06

APPLICATION NOTES

Driving Capacitive Loads

The SD06 can directly drive 1000pF in unity-gain without oscillation. The unity-gain follower (buffer) is the most sensitive configuration to capacitive loading. Direct capacitive loading reduces the phase margin of amplifiers and this results in ringing or even oscillation. Applications that require greater capacitive driving capability should use an isolation resistor between the output and the capacitive load like the circuit in Figure 1. The isolation resistor  $R_{ISO}$  and the load capacitor  $C_L$  form a zero to increase stability. The bigger the  $R_{ISO}$  resistor value, the more stable  $V_{OUT}$  will be. Note that this method results in a loss of gain accuracy because  $R_{ISO}$  forms a voltage divider with the  $R_{LOAD}$ .

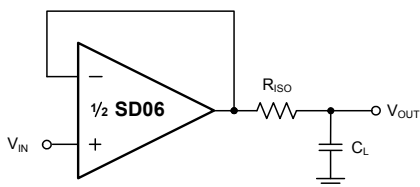


Figure 1. Indirectly Driving Heavy Capacitive Load

An improved circuit is shown in Figure 2. It provides DC accuracy as well as AC stability.  $R_F$  provides the DC accuracy by connecting the inverting input with the output.  $C_F$  and  $R_{ISO}$  serve to counteract the loss of phase margin by feeding the high frequency component of the output signal back to the amplifier's inverting input, thereby preserving phase margin in the overall feedback loop.

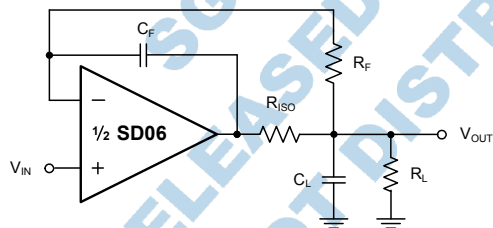


Figure 2. Indirectly Driving Heavy Capacitive Load with DC Accuracy

For non-buffer configuration, there are two other ways to increase the phase margin: (a) by increasing the amplifier's closed-loop gain or (b) by placing a capacitor in parallel with the feedback resistor to counteract the parasitic capacitance associated with inverting node.

Power-Supply Bypassing and Layout

The SD06 operates from either a single +2V to +5.5V supply or dual  $\pm 1V$  to  $\pm 2.75V$  supplies. For single-supply operation, bypass the power supply  $+V_S$  with a 0.1 $\mu$ F ceramic capacitor which should be placed close to the  $+V_S$  pin. For dual-supply operation, both the  $+V_S$  and the  $-V_S$  supplies should be bypassed to ground with separate 0.1 $\mu$ F ceramic capacitors. 2.2 $\mu$ F tantalum capacitor can be added for better performance.

Good PC board layout techniques optimize performance by decreasing the amount of stray capacitance at the op amp's inputs and output. To decrease stray capacitance, minimize trace lengths and widths by placing external components as close to the device as possible. Use surface-mount components whenever possible.

For the operational amplifier, soldering the part to the board directly is strongly recommended. Try to keep the high frequency current loop area small to minimize the EMI (electromagnetic interfacing).

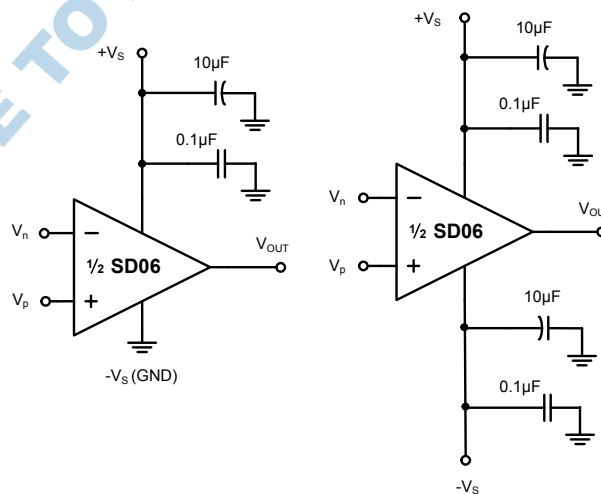


Figure 3. Amplifier with Bypass Capacitors

Grounding

A ground plane layer is important for SD06 circuit design. The length of the current path in an inductive ground return will create an unwanted voltage noise. Broad ground plane areas will reduce the parasitic inductance.

Input-to-Output Coupling

To minimize capacitive coupling, the input and output signal traces should not be in parallel. This helps reduce unwanted positive feedback.



TYPICAL APPLICATION CIRCUITS

Differential Amplifier

The circuit shown in Figure 4 performs the difference function. If the resistor ratios are equal ( $R_4/R_3 = R_2/R_1$ ), then  $V_{OUT} = (V_p - V_n) \times R_2/R_1 + V_{REF}$ .

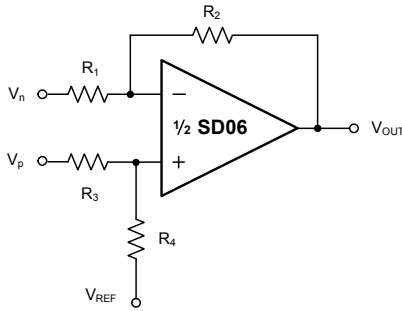


Figure 4. Differential Amplifier

Instrumentation Amplifier

The circuit in Figure 5 performs the same function as that in Figure 4 but with a high input impedance.

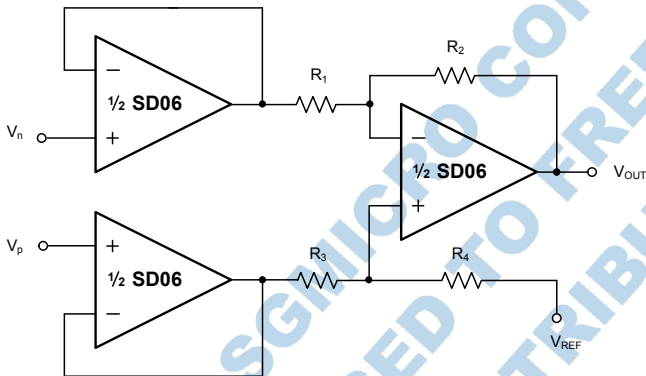


Figure 5. Instrumentation Amplifier

Low-Pass Active Filter

The low-pass filter shown in Figure 6 has a DC gain of  $(-R_2/R_1)$  and the  $-3\text{dB}$  corner frequency is  $1/2\pi R_2 C$ . Make sure the filter bandwidth is within the bandwidth of the amplifier. The large values of feedback resistors can couple with parasitic capacitance and cause undesired effects such as ringing or oscillation in high-speed amplifiers. Keep resistor values as low as possible and consistent with output loading consideration.

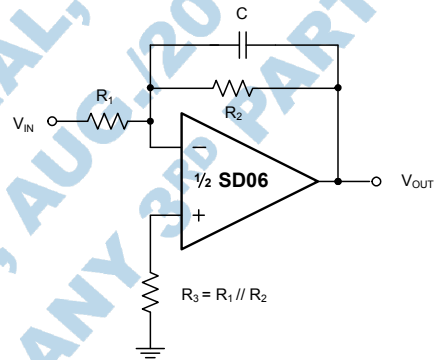
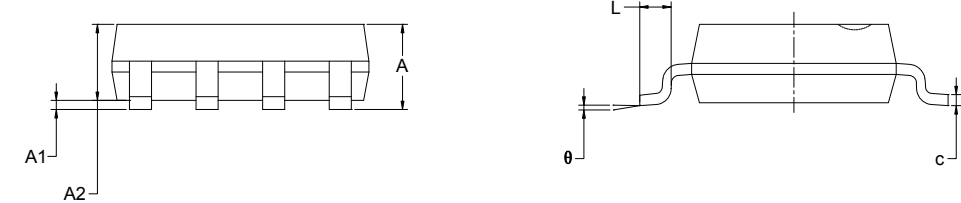
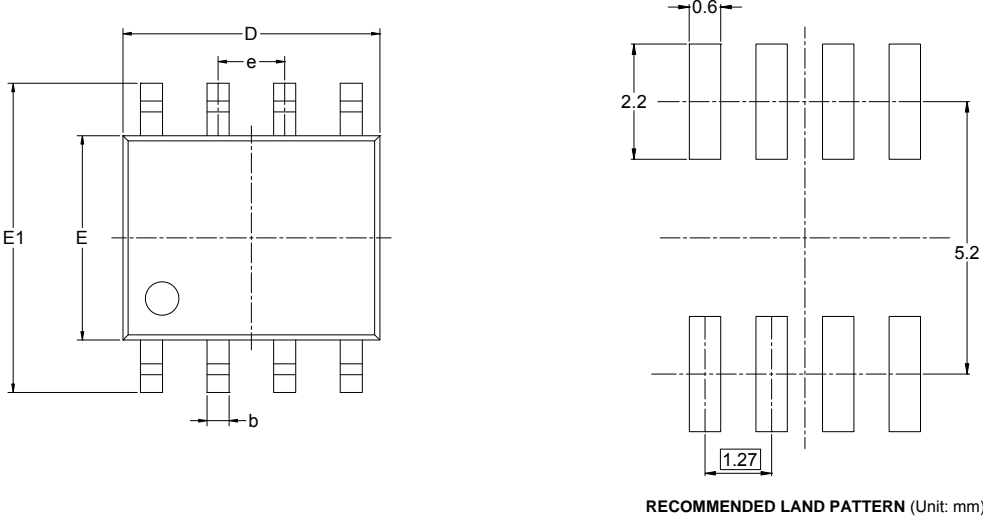


Figure 6. Low-Pass Active Filter

# PACKAGE INFORMATION

## PACKAGE OUTLINE DIMENSIONS

### SOIC-8

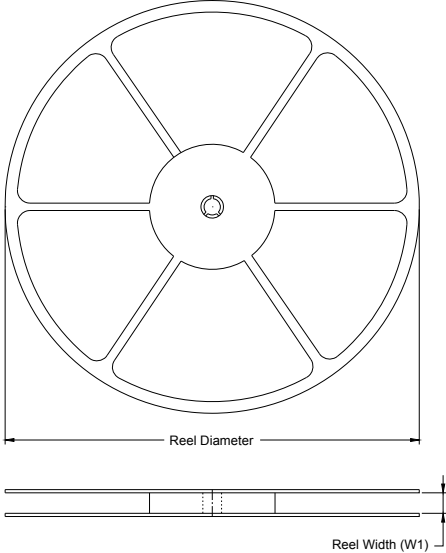


Symbol	Dimensions In Millimeters		Dimensions In Inches	
	MIN	MAX	MIN	MAX
A	1.350	1.750	0.053	0.069
A1	0.100	0.250	0.004	0.010
A2	1.350	1.550	0.053	0.061
b	0.330	0.510	0.013	0.020
c	0.170	0.250	0.006	0.010
D	4.700	5.100	0.185	0.200
E	3.800	4.000	0.150	0.157
E1	5.800	6.200	0.228	0.244
e	1.27 BSC		0.050 BSC	
L	0.400	1.270	0.016	0.050
$\theta$	0°	8°	0°	8°

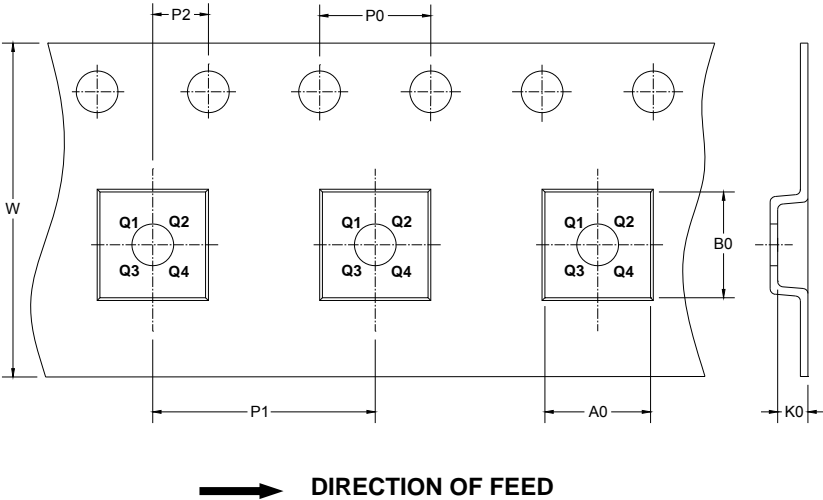
# PACKAGE INFORMATION

## TAPE AND REEL INFORMATION

### REEL DIMENSIONS



### TAPE DIMENSIONS



NOTE: The picture is only for reference. Please make the object as the standard.

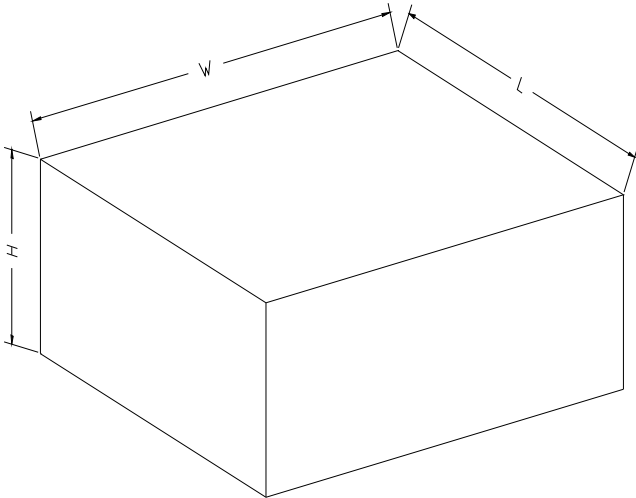
### KEY PARAMETER LIST OF TAPE AND REEL

Package Type	Reel Diameter	Reel Width W1 (mm)	A0 (mm)	B0 (mm)	K0 (mm)	P0 (mm)	P1 (mm)	P2 (mm)	W (mm)	Pin1 Quadrant
SOIC-8	13"	12.4	6.4	5.4	2.1	4.0	8.0	2.0	12.0	Q1

D00001

# PACKAGE INFORMATION

## CARTON BOX DIMENSIONS



NOTE: The picture is only for reference. Please make the object as the standard.

## KEY PARAMETER LIST OF CARTON BOX

Reel Type	Length (mm)	Width (mm)	Height (mm)	Pizza/Carton
13"	386	280	370	5

DD0102