

# MAXIM

## Precision, High-Side Current-Sense Amplifiers

MAX471/MAX472

### General Description

The MAX471/MAX472 are complete, bidirectional, high-side current-sense amplifiers for portable PCs, telephones, and other systems where battery/DC power-line monitoring is critical. High-side power-line monitoring is especially useful in battery-powered systems, since it does not interfere with the ground paths of the battery chargers or monitors often found in "smart" batteries.

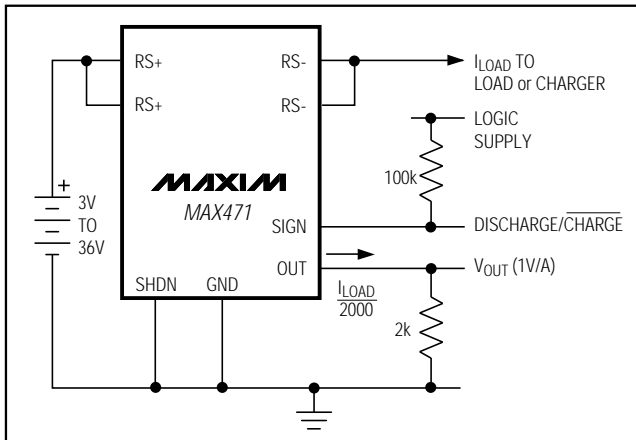
The MAX471 has an internal 35mΩ current-sense resistor and measures battery currents up to ±3A. For applications requiring higher current or increased flexibility, the MAX472 functions with external sense and gain-setting resistors. Both devices have a current output that can be converted to a ground-referred voltage with a single resistor, allowing a wide range of battery voltages and currents.

An open-collector SIGN output indicates current-flow direction, so the user can monitor whether a battery is being charged or discharged. Both devices operate from 3V to 36V, draw less than 100µA over temperature, and include a 18µA max shutdown mode.

### Applications

- Portable PCs:
  - Notebooks/Subnotebooks/Palmtops
- Smart Battery Packs
- Cellular Phones
- Portable Phones
- Portable Test/Measurement Systems
- Battery-Operated Systems
- Energy Management Systems

### Typical Operating Circuit



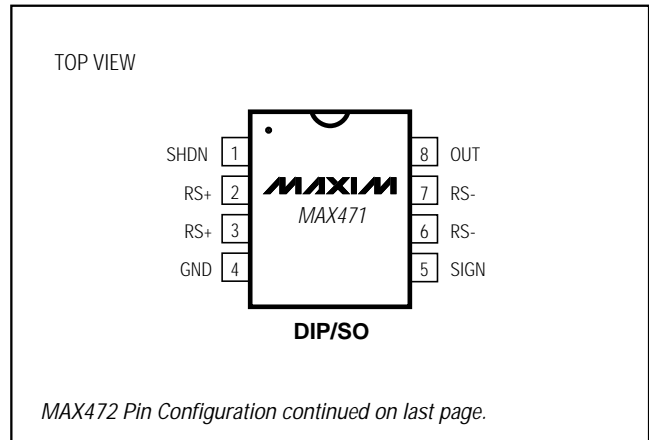
### Features

- ◆ Complete High-Side Current Sensing
- ◆ Precision Internal Sense Resistor (MAX471)
- ◆ 2% Accuracy Over Temperature
- ◆ Monitors Both Charge and Discharge
- ◆ 3A Sense Capability with Internal Sense Resistor (MAX471)
- ◆ Higher Current-Sense Capability with External Sense Resistor (MAX472)
- ◆ 100µA Max Supply Current
- ◆ 18µA Max Shutdown Mode
- ◆ 3V to 36V Supply Operation
- ◆ 8-Pin DIP/SO Packages

### Ordering Information

| PART      | TEMP. RANGE    | PIN-PACKAGE   |
|-----------|----------------|---------------|
| MAX471CPA | 0°C to +70°C   | 8 Plastic DIP |
| MAX471CSA | 0°C to +70°C   | 8 SO          |
| MAX471EPA | -40°C to +85°C | 8 Plastic DIP |
| MAX471ESA | -40°C to +85°C | 8 SO          |
| MAX472CPA | 0°C to +70°C   | 8 Plastic DIP |
| MAX472CSA | 0°C to +70°C   | 8 SO          |
| MAX472EPA | -40°C to +85°C | 8 Plastic DIP |
| MAX472ESA | -40°C to +85°C | 8 SO          |

### Pin Configurations



# Precision, High-Side Current-Sense Amplifiers

## ABSOLUTE MAXIMUM RATINGS

Supply Voltage, RS+, RS-, VCC to GND.....-0.3V, +40V  
 RMS Current, RS+ to RS- (MAX471 only).....±3.3A  
 Peak Current, (RS+ to RS-) .....see Figure 5  
 Differential Input Voltage, RG1 to RG2 (MAX472 only) .....±0.3V  
 Voltage at Any Pin Except SIGN  
   MAX471 only .....-0.3V to (RS+ - 0.3V)  
   MAX472 only .....-0.3V to (VCC + 0.3V)  
 Voltage at SIGN.....-0.3V to +40V  
 Current into SHDN, GND, OUT, RG1, RG2, VCC.....±50mA  
 Current into SIGN.....+10mA, -50mA

Continuous Power Dissipation (TA = +70°C)

MAX471 (Note 1):  
 Plastic DIP (derate 17.5mW/°C above +70°C) .....1.4W  
 SO (derate 9.9mW/°C above +70°C) .....791mW  
 MAX472 :  
 Plastic DIP (derate 9.09mW/°C above +70°C) .....727mW  
 SO (derate 5.88mW/°C above +70°C) .....471mW  
 Operating Temperature Ranges  
   MAX47\_C\_A.....0°C to +70°C  
   MAX47\_E\_A.....-40°C to +85°C  
 Junction Temperature Range.....-60°C to +150°C  
 Storage Temperature Range.....-60°C to +160°C  
 Lead Temperature (soldering, 10sec) .....+300°C

**Note 1:** Due to special packaging considerations, MAX471 (DIP, SO) has a higher power dissipation rating than the MAX472. RS+ and RS- must be soldered to large copper traces to achieve this dissipation rating.

Stresses beyond those listed under "Absolute Maximum Ratings" may cause permanent damage to the device. These are stress ratings only, and functional operation of the device at these or any other conditions beyond those indicated in the operational sections of the specifications is not implied. Exposure to absolute maximum rating conditions for extended periods may affect device reliability.

## ELECTRICAL CHARACTERISTICS—MAX471

(RS+ = +3V to +36V, TA = TMIN to TMAX, unless otherwise noted. Typical values are at TA = +25°C.)

| PARAMETER                                      | SYMBOL         | CONDITIONS   | MIN     | TYP        | MAX   | UNITS  |      |
|--|----------------|--|---------|------------|-------|--------|------|
| Supply Voltage                                 | VRS+           |  | 3       |            | 36    | V      |      |
| Supply Current                                 | IRS+           | ILOAD = 0A, excludes ISIGN                                   |         | 50         | 113   | µA     |      |
| Sense Current                                  | ILOAD          |  |         |            | ±3    | ARMS   |      |
| Sense Resistor                                 | RSENSE         |  |         | 35         | 70    | mΩ     |      |
| Current-Sense Ratio                            | IOUT/<br>ILOAD | ILOAD = 1A,<br>RS+ = 10V                                     | MAX471C | 0.490      | 0.500 | 0.510  | mA/A |
|  |                |  | MAX471E | 0.4875     | 0.500 | 0.5125 |      |
| No-Load OUT Error                              |                | ILOAD = 0A,<br>RS+ = 10V                                     | MAX471C |            |       | 2.5    | µA   |
|  |                |  | MAX471E |            |       | 3.0    |      |
| Low-Level OUT Error                            |                | ILOAD = 30mA,<br>RS+ = 10V                                   | MAX471C |            |       | ±2.5   | µA   |
|  |                |  | MAX471E |            |       | ±3.0   |      |
| Power-Supply Rejection Ratio                   | PSRR           | 3V ≤ RS+ ≤ 36V, ILOAD = 1A                                   |         |            | 0.1   | %/V    |      |
| SIGN Threshold (ILOAD required to switch SIGN) |                | MAX471C  |         | ±4.0       | ±6.0  | mA     |      |
|  |                | MAX471E  |         |            | ±7.0  |        |      |
| SIGN Output Leakage Current                    |                | VSIGN = 36V  |         |            | 1.0   | µA     |      |
| SIGN Sink Current                              | IOL            | VSIGN = 0.3V   | 0.1     |            |       | mA     |      |
| Shutdown Supply Current                        | IRS+(SHDN)     | VSHDN = 2.4V; VCC = 3V to 20V                                |         | 1.5        | 18.0  | µA     |      |
| SHDN Input Low Voltage                         | VIL            |  |         |            | 0.3   | V      |      |
| SHDN Input Low Current                         | IIL            | VSHDN = 0V   |         |            | 1.0   | µA     |      |
| SHDN Input High Voltage                        | VIH            |  | 2.4     |            |       | V      |      |
| SHDN Input High Current                        | IIH            | VSHDN = 2.4V   |         |            | 1.0   | µA     |      |
| OUT Output Voltage Range                       | VOOUT          |  | 0       | VRS+ - 1.5 |       | V      |      |
| OUT Output Resistance                          | ROUT           | ILOAD = 3.0A, VOOUT = 0V to (VRS+ - 1.5V)                    | 1       | 3          |       | MΩ     |      |
| OUT Rise, Fall Time                            | tR, tF         | ILOAD = 50mA to 3.0A, ROUT = 2kΩ,<br>COUT = 50pF, 10% to 90% |         | 4          |       | µs     |      |
| OUT Settling Time to 1% of Final Value         | ts             | ILOAD = 100mA to 3.0A, ROUT = 2kΩ,<br>COUT = 50pF            |         | 15         |       | µs     |      |

# Precision, High-Side Current-Sense Amplifiers

MAX471/MAX472

## ELECTRICAL CHARACTERISTICS—MAX472

( $V_{CC} = +3V$  to  $+36V$ ,  $R_{G1} = R_{G2} = 200\Omega$ ,  $T_A = T_{MIN}$  to  $T_{MAX}$ , unless otherwise noted. Typical values are at  $T_A = +25^\circ C$ .)

| PARAMETER  | SYMBOL             | CONDITIONS   |         | MIN | TYP       | MAX            | UNITS     |
|--|--------------------|--|---------|-----|-----------|----------------|-----------|
| Supply Voltage   | $V_{CC}$           |  |         | 3   |           | 36             | V         |
| Supply Current   | $I_{CC}$           | $I_{LOAD} = 0A$ , excludes $I_{SIGN}$ ; $V_{CC} = 3V$ to $20V$                         |         |     | 20        | 48             | $\mu A$   |
| Input Offset Voltage<br>(Note 2)                         | $V_{OS}$           | MAX472C  |         |     |           | 120            | $\mu V$   |
|  |                    | MAX472E  |         |     |           | 140            |           |
| Input Bias Current                                       | $I_{RG1}, I_{RG2}$ |  |         |     | 20        | 35             | $\mu A$   |
| Input Bias-Current Matching                              | $I_{OS}$           | $I_{RG1} - I_{RG2}$  |         |     | $\pm 0.4$ | $\pm 3.0$      | $\mu A$   |
| OUT Current Accuracy                                     | $I_{RG}/I_{OUT}$   | $V_{SENSE} = 100mV$ ,<br>$V_{CC} = 10V$ (Note 3)                                       | MAX472C |     |           | $\pm 2$        | %         |
|  |                    |  | MAX472E |     |           | $\pm 2.5$      |           |
| No-Load OUT Error  |                    | $V_{CC} = 10V$ ,<br>$V_{SENSE} = 0V$   | MAX472C |     |           | 2.5            | $\mu A$   |
|  |                    |  | MAX472E |     |           | 3              |           |
| Low-Level OUT Error                                      |                    | $V_{CC} = 10V$ ,<br>$V_{SENSE} = 3mV$  | MAX472C |     |           | $\pm 2.5$      | $\mu A$   |
|  |                    |  | MAX472E |     |           | $\pm 3.0$      |           |
| Power-Supply Rejection Ratio                             | PSRR               | $3V \leq V_{CC} \leq 36V$ , $V_{SENSE} = 100mV$  |         |     |           | 0.1            | %/V       |
| SIGN Threshold ( $V_{SENSE}$<br>required to switch SIGN) |                    | $V_{CC} = 10V$   | MAX472C |     | 60        | 120            | $\mu V$   |
|  |                    |  | MAX472E |     | 60        | 140            |           |
| SIGN Output Leakage Current                              |                    | $V_{SIGN} = 36V$   |         |     |           | 1.0            | $\mu A$   |
| SIGN Output Sink Current                                 |                    | $V_{SIGN} = 0.3V$  |         | 0.1 |           |                | mA        |
| Shutdown Supply Current                                  | $I_{CC}(SHDN)$     | $V_{SHDN} = 2.4V$ ; $V_{CC} = 3V$ to $20V$   |         |     | 1.5       | 18.0           | $\mu A$   |
| SHDN Input Low Voltage                                   | $V_{IL}$           |  |         |     |           | 0.3            | V         |
| SHDN Input Low Current                                   | $I_{IL}$           | $V_{SHDN} = 0V$  |         |     |           | 1.0            | $\mu A$   |
| SHDN Input High Voltage                                  | $V_{IH}$           |  |         | 2.4 |           |                | V         |
| SHDN Input High Current                                  | $I_{IH}$           | $V_{SHDN} = 2.4V$  |         |     |           | 1.0            | $\mu A$   |
| OUT Output Voltage Range                                 | $V_{OUT}$          |  |         | 0   |           | $V_{CC} - 1.5$ | V         |
| OUT Output Resistance                                    | $R_{OUT}$          | $I_{OUT} = 1.5mA$  |         | 1   | 3         |                | $M\Omega$ |
| OUT Rise, Fall Time                                      | $t_R, t_F$         | $V_{SENSE} = 5mV$ to $150mV$ , $R_{OUT} = 2k\Omega$ ,<br>$C_{OUT} = 50pF$ , 10% to 90% |         |     | 4         |                | $\mu s$   |
| OUT Settling Time to 1%<br>of Final Value                | $t_s$              | $V_{SENSE} = 5mV$ to $150mV$ , $R_{OUT} = 2k\Omega$ ,<br>$C_{OUT} = 50pF$              |         |     | 15        |                | $\mu s$   |
| Maximum Output Current                                   | $I_{OUT}$          |  |         | 1.5 |           |                | mA        |

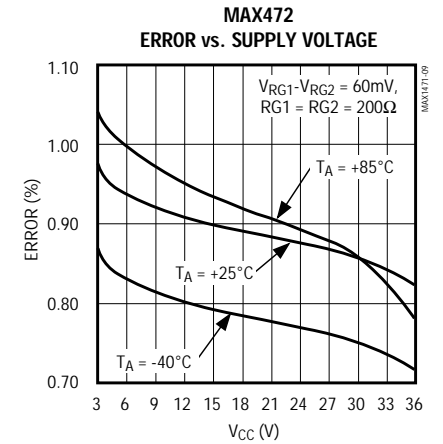
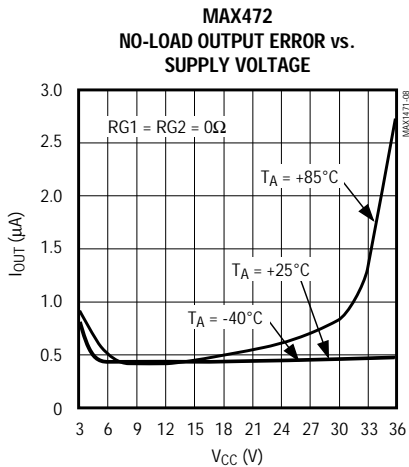
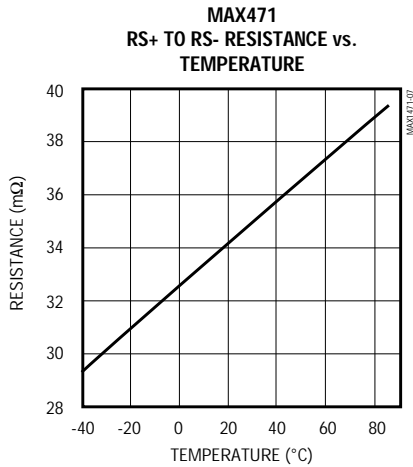
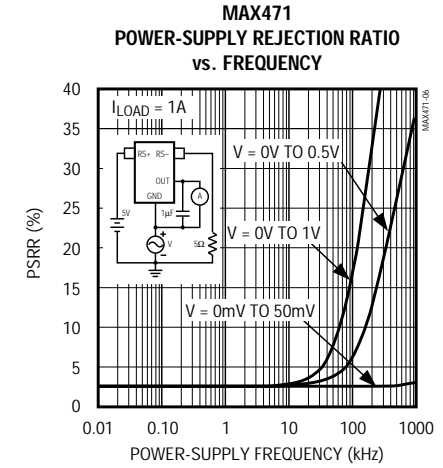
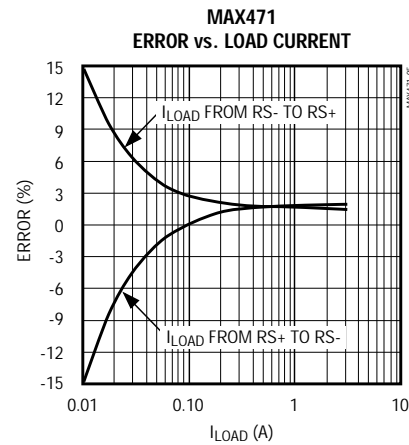
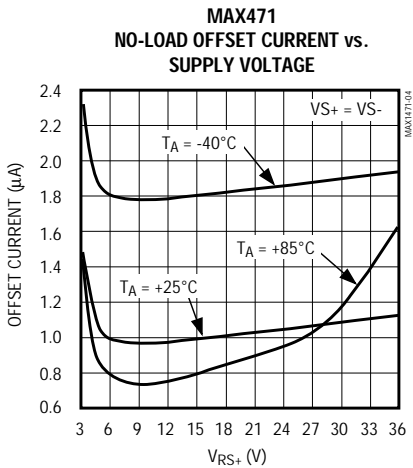
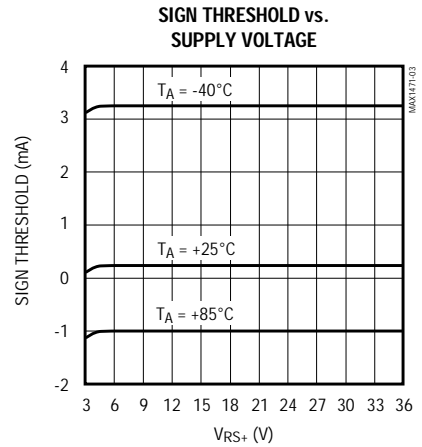
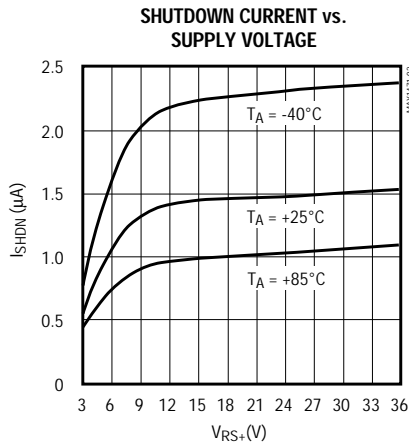
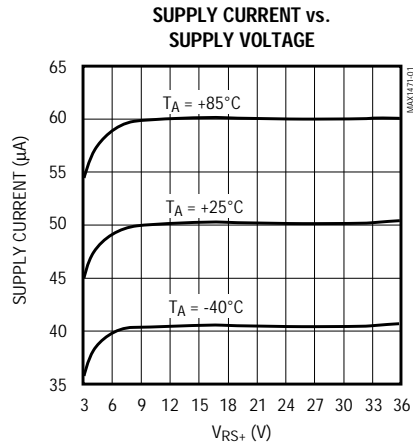
**Note 2:**  $V_{OS}$  is defined as the input voltage ( $V_{SENSE}$ ) required to give minimum  $I_{OUT}$ .

**Note 3:**  $V_{SENSE}$  is the voltage across the sense resistor.

# Precision, High-Side Current-Sense Amplifiers

## Typical Operating Characteristics

(Typical Operating Circuit (MAX471) or circuit of Figure 4,  $R_{G1} = R_{G2} = 200\Omega$ ,  $R_{OUT} = 2k\Omega$  (MAX472),  $T_A = +25^\circ\text{C}$ , unless otherwise noted.)

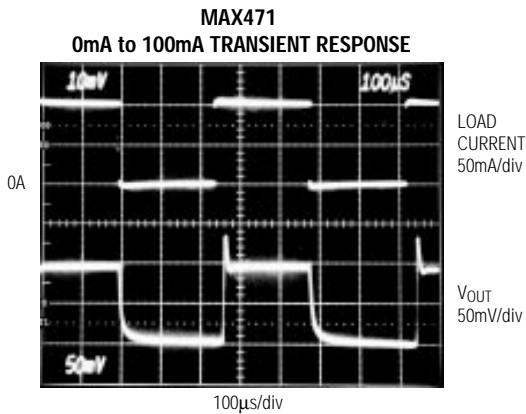
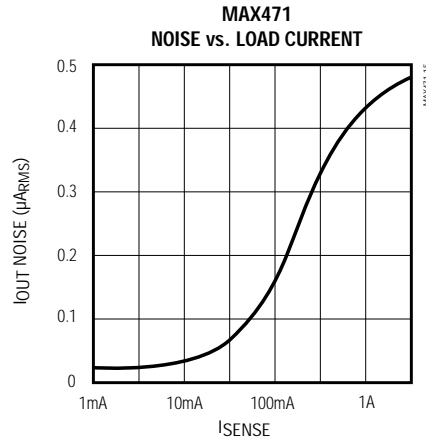
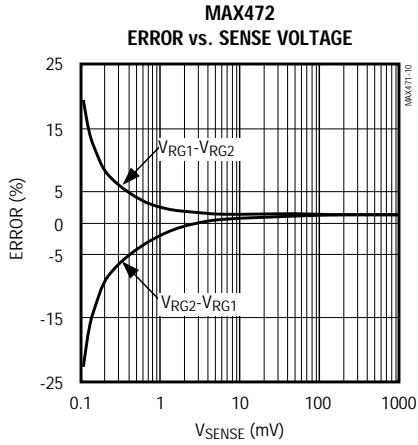


# Precision, High-Side Current-Sense Amplifiers

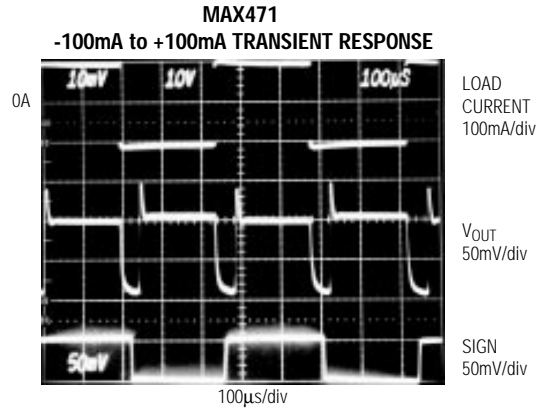
MAX471/MAX472

## Typical Operating Characteristics (continued)

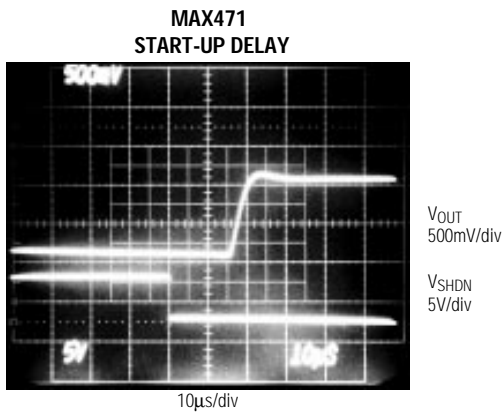
(Typical Operating Circuit (MAX471) or circuit of Figure 4,  $R_{G1} = R_{G2} = 200\Omega$ ,  $R_{OUT} = 2k\Omega$  (MAX472),  $T_A = +25^\circ\text{C}$ , unless otherwise noted.)



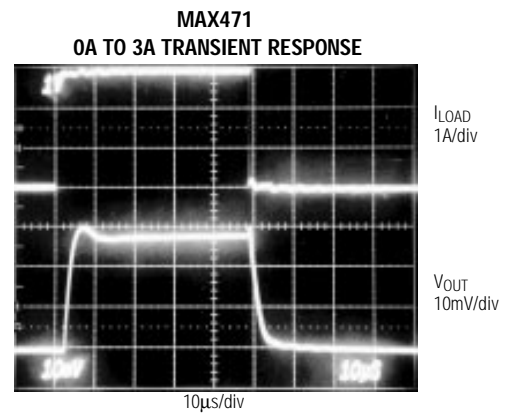
$V_{CC} = 10\text{V}$ ,  $R_{OUT} = 2k\Omega$  1%, SIGN PULL-UP =  $50k\Omega$  1%



$V_{CC} = 10\text{V}$ ,  $R_{OUT} = 2k\Omega$  1%, SIGN PULL-UP =  $50k\Omega$  1%



I<sub>LOAD</sub> = 1A,  $R_{OUT} = 2k\Omega$  1%



$R_{OUT} = 2k\Omega$  1%

# Precision, High-Side Current-Sense Amplifiers

## Pin Description

| PIN    |        | NAME            | FUNCTION  |
|--------|--------|-----------------|---|
| MAX471 | MAX472 |                 |   |
| 1      | 1      | SHDN            | Shutdown. Connect to ground for normal operation. When high, supply current is less than 5µA.   |
| 2, 3   | —      | RS+             | Battery (or power) side of the internal current-sense resistor. The "+" indicates direction of flow for SIGN output only. Connect pins 2 and 3 together at the package.   |
| —      | 2      | N.C.            | No Connect—no internal connection   |
| —      | 3      | RG1             | Gain Resistor. Connect to battery side of current-sense resistor through the gain resistor.   |
| 4      | 4      | GND             | Ground or Battery Negative Terminal   |
| 5      | 5      | SIGN            | An open-collector logic output. For the MAX471, a low level indicates current is flowing from RS- to RS+. For the MAX472, a low level indicates a negative V <sub>SENSE</sub> (see Figure 2). SIGN is high impedance when SHDN is high. Leave open if SIGN is not needed. |
| 6, 7   | —      | RS-             | Load side of the internal current-sense resistor. The "-" indicates direction of flow for SIGN output only. Connect pins 6 and 7 together at the package.   |
| —      | 6      | RG2             | Gain Resistor. Connect to load side of current-sense resistor through the gain resistor.  |
| —      | 7      | V <sub>CC</sub> | Power input for MAX472. Connect to sense resistor (R <sub>SENSE</sub> ) junction with RG1.  |
| 8      | 8      | OUT             | Current output that is proportional to the magnitude of the sensed current flowing through R <sub>SENSE</sub> . A 2kΩ resistor from this pin to ground will result in a voltage equal to 1V/Amp of sensed current in the MAX471.  |

## Detailed Description

The MAX471 and MAX472 current-sense amplifier's unique topology allows a simple design to accurately monitor current flow. The MAX471/MAX472 contain two amplifiers operating as shown in Figures 1 and 2. The battery/load current flows from RS+ to RS- (or vice versa) through R<sub>SENSE</sub>. Current flows through either RG1 and Q1 or RG2 and Q2, depending on the sense-resistor current direction. Internal circuitry, not shown in Figures 1 and 2, prevents Q1 and Q2 from turning on at the same time. The MAX472 is identical to the MAX471, except that R<sub>SENSE</sub> and gain-setting resistors RG1 and RG2 are external (Figure 2).

To analyze the circuit of Figure 1, assume that current flows from RS+ to RS- and that OUT is connected to GND through a resistor. In this case, amplifier A1 is active and output current I<sub>OUT</sub> flows from the emitter of Q1. Since no current flows through RG2 (Q2 is off), the negative input of A1 is equal to V<sub>SOURCE</sub> - (I<sub>LOAD</sub> × R<sub>SENSE</sub>). The open-loop gain of A1 forces its positive input to essentially the same level as the negative input. Therefore, the drop across RG1 equals I<sub>LOAD</sub> × R<sub>SENSE</sub>. Then, since I<sub>OUT</sub> flows through Q1 and RG (ignoring the extremely low base currents), I<sub>OUT</sub> × RG1 = I<sub>LOAD</sub> × R<sub>SENSE</sub>, or:

$$I_{OUT} = (I_{LOAD} \times R_{SENSE}) / RG1$$

### Current Output

The output voltage equation for the MAX471/MAX472 is given below. In the MAX471, the current-gain ratio has been preset to 500µA/A so that an output resistor (R<sub>OUT</sub>) of 2kΩ yields 1V/A for a full-scale value of +3V at ±3A. Other full-scale voltages can be set with different R<sub>OUT</sub> values, but the output voltage can be no greater than V<sub>RS+</sub> - 1.5V for the MAX471 or V<sub>RG-</sub> - 1.5V for the MAX472.

$$V_{OUT} = (R_{SENSE} \times R_{OUT} \times I_{LOAD}) / RG$$

where V<sub>OUT</sub> = the desired full-scale output voltage, I<sub>LOAD</sub> = the full-scale current being sensed, R<sub>SENSE</sub> = the current-sense resistor, R<sub>OUT</sub> = the voltage-setting resistor, and RG = the gain-setting resistor (RG = RG1 = RG2).

The above equation can be modified to determine the R<sub>OUT</sub> required for a particular full-scale range:

$$R_{OUT} = (V_{OUT} \times RG) / (I_{LOAD} \times R_{SENSE})$$

For the MAX471, this reduces to:

$$R_{OUT} = V_{OUT} / (I_{LOAD} \times 500\mu A/A)$$

OUT is a high-impedance current-source output that can be connected to other MAX471/MAX472 OUT pins

# Precision, High-Side Current-Sense Amplifiers

MAX471/MAX472

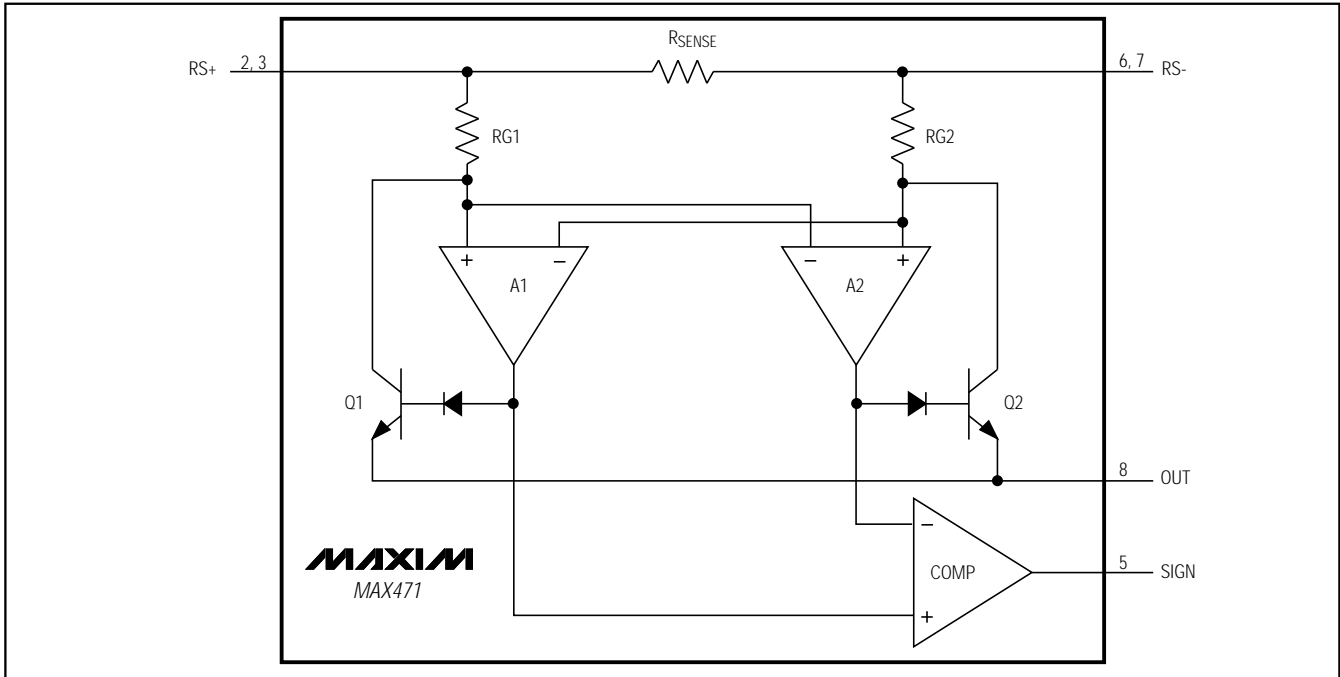


Figure 1. MAX471 Functional Diagram

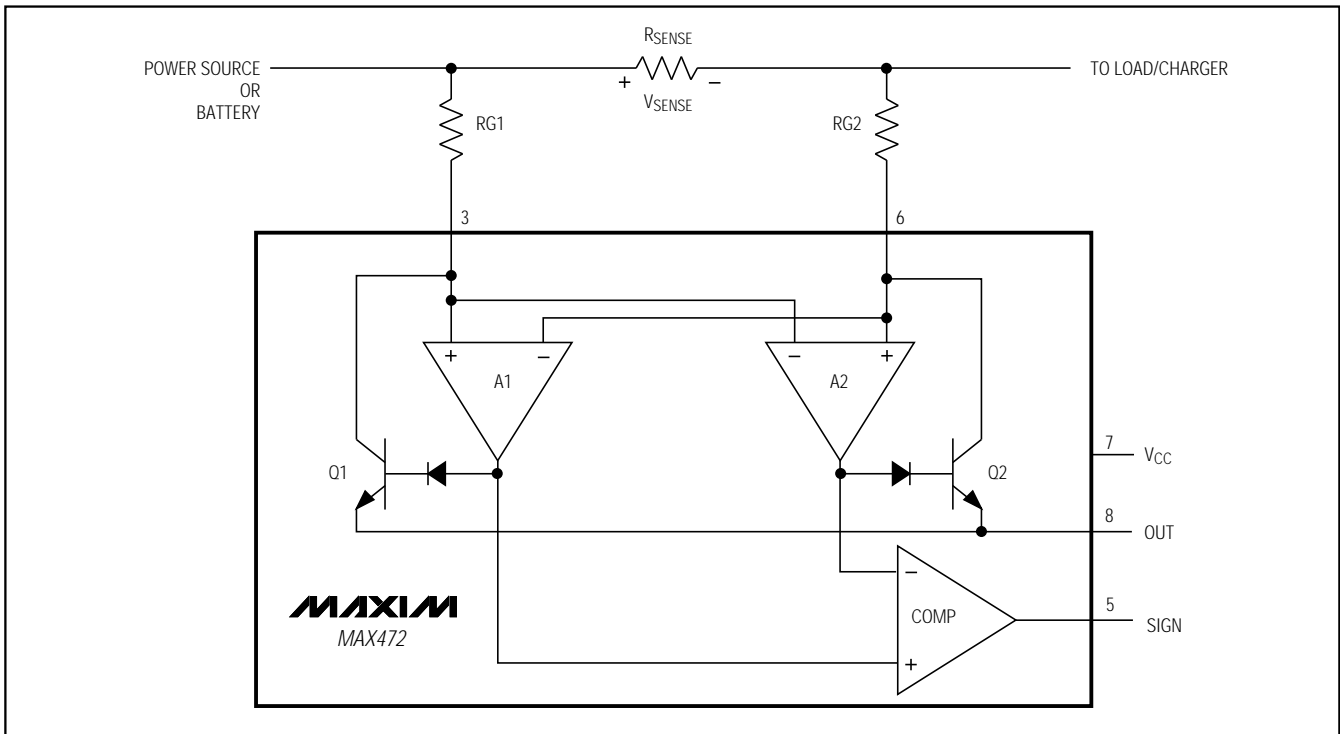


Figure 2. MAX472 Functional Diagram

# Precision, High-Side Current-Sense Amplifiers

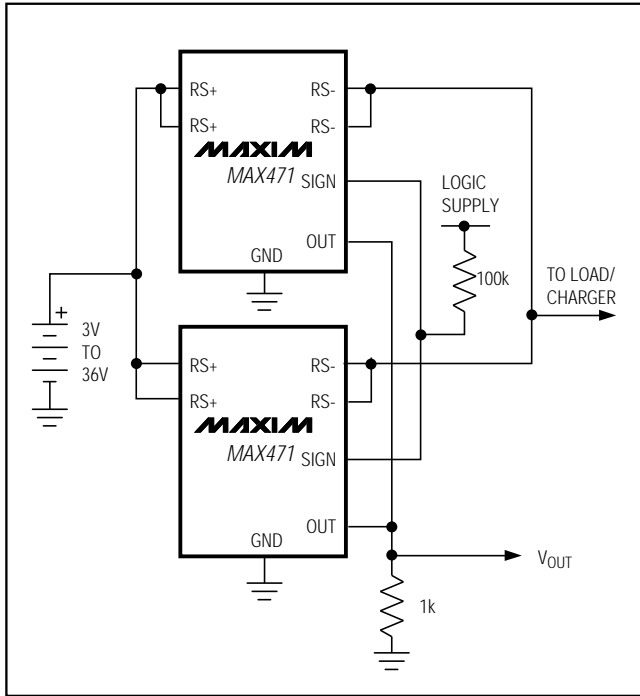


Figure 3. Paralleling MAX471s to Sense Higher Load Current

for current summing. A single scaling resistor is required when summing OUT currents from multiple devices (Figure 3). Current can be integrated by connecting OUT to a capacitive load.

### SIGN Output

The current at OUT indicates magnitude. The SIGN output indicates the current's direction. Operation of the SIGN comparator is straightforward. When Q1 (Figures 1 and 2) conducts, the output of A1 is high while A2's output is zero. Under this condition, a high SIGN output indicates positive current flow (from RS+ to RS-). In battery-operated systems, this is useful for determining whether the battery is charging or discharging. The SIGN output may not correctly indicate if the load current is such that  $I_{OUT}$  is less than  $3.5\mu A$ . The MAX471's SIGN output accurately indicates the direction of current flow for load currents greater than 7mA.

SIGN is an open-collector output (sinks current only), allowing easy interface with logic circuits powered from any voltage. Connect a  $100k\Omega$  pull-up resistor from SIGN to the logic supply. The convention chosen for the polarity of the SIGN output ensures that it draws no current when the battery is being discharged. If current direction is not needed, float the SIGN pin.

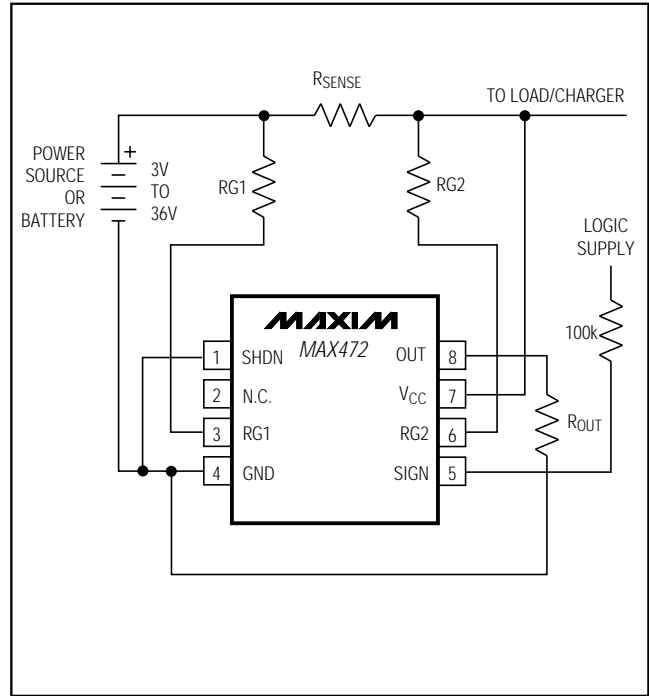


Figure 4. MAX472 Standard Application Circuit

### Shutdown

When SHDN is high, the MAX471/MAX472 are shut down and consume less than  $18\mu A$ . In shutdown mode, SIGN is high impedance and OUT turns off.

## Applications Information

### MAX471

The MAX471 obtains its power from the RS- pin. This includes MAX471 current consumption in the total system current measured by the MAX471. The small drop across RSENSE does not affect the MAX471's performance.

### Resistor Selection

Since OUT delivers a current, an external voltage gain-setting resistor ( $R_{OUT}$  to ground) is required at the OUT pin in order to get a voltage. RSENSE is internal to the MAX471. RG1 and RG2 are factory trimmed for an output current ratio (output current to load current) of  $500\mu A/A$ . Since they are manufactured of the same material and in very close proximity on the chip, they provide a high degree of temperature stability. Choose  $R_{OUT}$  for the desired full-scale output voltage up to RS- - 1.5V (see the *Current Output* section).



# Precision, High-Side Current-Sense Amplifiers

## Peak Sense Current

The MAX471's maximum sense current is 3A<sub>RMS</sub>. For power-up, fault conditions, or other infrequent events, larger peak currents are allowed, provided they are short—that is, within a safe operating region, as shown in Figure 5.

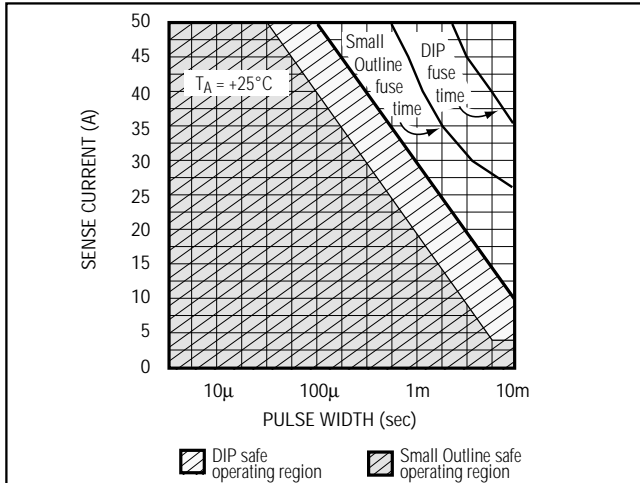


Figure 5. MAX471 Pulse Current Safe Operation for 10,000 Pulses and Fuse Time for Continuous Current. Pulse tests done with 250mW average power dissipation.

## MAX472

R<sub>SENSE</sub>, R<sub>G1</sub>, and R<sub>G2</sub> are externally connected on the MAX472. V<sub>CC</sub> can be connected to either the load/charge or power-source/battery side of the sense resistor. Connect V<sub>CC</sub> to the load/charge side of R<sub>SENSE</sub> if you want to include the MAX472 current drain in the measured current.

## Suggested Component Values for Various Applications

The general circuit of Figure 4 is useful in a wide variety of applications. It can be used for high-current applications (greater than 3A), and also for those where the full-scale load current is less than the 3A of the MAX471.

**Table 1. Suggested Component Values for the MAX472**

| FULL-SCALE LOAD CURRENT, I <sub>SENSE</sub> (A) | CURRENT-SENSE RESISTOR, R <sub>SENSE</sub> (mΩ) | GAIN-SETTING RESISTORS, R <sub>G1</sub> = R <sub>G2</sub> (Ω) | OUTPUT RESISTOR, R <sub>OUT</sub> (kΩ) | FULL-SCALE OUTPUT VOLTAGE, V <sub>OUT</sub> (V) | SCALE FACTOR, V <sub>OUT</sub> /I <sub>SENSE</sub> (V/A) | TYPICAL ERROR AT X% OF FULL LOAD (%) |     |      |
|---|---|---|--|---|--|--------------------------------------|-----|------|
|   |   |   |  |   |  | 1%                                   | 10% | 100% |
| 0.1   | 500   | 200   | 10                                     | 2.5   | 25   | 14                                   | 2.5 | 0.9  |
| 1   | 50  | 200   | 10                                     | 2.5   | 2.5  | 14                                   | 2.5 | 0.9  |
| 5   | 10  | 100   | 5                                      | 2.5   | 0.5  | 13                                   | 2.0 | 1.1  |
| 10  | 5   | 50  | 2                                      | 2   | 0.2  | 12                                   | 2.0 | 1.6  |

Table 1 shows suggested component values and indicates the resulting scale factors for various applications required to sense currents from 100mA to 10A.

Higher or lower sense-current circuits can also be built. Select components and calculate circuit errors using the guidelines and formulas in the following section.

## R<sub>SENSE</sub>

Choose R<sub>SENSE</sub> based on the following criteria:

- Voltage Loss:** A high R<sub>SENSE</sub> value will cause the power-source voltage to degrade through IR loss. For least voltage loss, use the lowest R<sub>SENSE</sub> value.
- Accuracy:** A high R<sub>SENSE</sub> value allows lower currents to be measured more accurately. This is because offsets become less significant when the sense voltage is larger.
- Efficiency and Power Dissipation:** At high current levels, the I<sup>2</sup>R losses in R<sub>SENSE</sub> may be significant. Take this into consideration when choosing the resistor value and power dissipation (wattage) rating. Also, if the sense resistor is allowed to heat up excessively, its value may drift.
- Inductance:** If there is a large high-frequency component to I<sub>SENSE</sub>, you will want to keep inductance low. Wire-wound resistors have the highest inductance, while metal film is somewhat better. Low-inductance metal-film resistors are available. Instead of being spiral wrapped around a core, as in metal-film or wire-wound resistors, these are a straight band of metal. They are made in values under 1Ω.
- Cost:** If the cost of R<sub>SENSE</sub> becomes an issue, you may want to use an alternative solution, as shown in Figure 6. This solution uses the PC board traces to create a sense resistor. Because of the inaccuracies of the copper "resistor," you will need to adjust the full-scale current value with a potentiometer. Also, the resistance temperature coefficient of copper is fairly high (approximately 0.4%/°C), so systems that experience a wide temperature variance should take this into account.

# Precision, High-Side Current-Sense Amplifiers

In Figure 6, assume the load current to be measured is 10A and that you have determined a 0.3 inch wide, 2 ounce copper to be appropriate. The resistivity of 0.1 inch wide, 2 ounce copper is  $30\text{m}\Omega/\text{ft}$  (see Note 4). For 10A you may want  $R_{\text{SENSE}} = 5\text{m}\Omega$  for a 50mV drop at full scale. This resistor will require about 2 inches of 0.1 inch wide copper trace.

## RG1 and RG2

Once  $R_{\text{SENSE}}$  is chosen,  $R_{\text{G1}}$  and  $R_{\text{G2}}$  can be chosen to define the current-gain ratio ( $R_{\text{SENSE}}/R_{\text{G}}$ ). Choose  $R_{\text{G}} = R_{\text{G1}} = R_{\text{G2}}$  based on the following criteria:

- 1 $\Omega$  Input Resistance.** The minimum  $R_{\text{G}}$  value is limited by the  $1\Omega$  input resistance, and also by the output current limitation (see below). As  $R_{\text{G}}$  is reduced, the input resistance becomes a larger portion of the total gain-setting resistance. With  $R_{\text{G}} = 50\Omega$ , the input resistance produces a 2% difference between the expected and actual current-gain ratio. This is a gain error that does not affect linearity and can be removed by adjusting  $R_{\text{G}}$  or  $R_{\text{OUT}}$ .
- Efficiency.** As  $R_{\text{G}}$  is reduced,  $I_{\text{OUT}}$  gets larger for a given load current. Power dissipated in  $R_{\text{OUT}}$  is not going to the load, and therefore reduces overall efficiency. This is significant only when the sense current is small.
- Maximum Output Current Limitation.**  $I_{\text{OUT}}$  is limited to 1.5mA, requiring  $R_{\text{G}} \geq V_{\text{SENSE}} / 1.5\text{mA}$ . For  $V_{\text{SENSE}} = 60\text{mV}$ ,  $R_{\text{G}}$  must be  $\geq 40\Omega$ .
- Headroom.** The MAX472 requires a minimum of 1.5V between the lower of the voltage at  $R_{\text{G1}}$  or  $R_{\text{G2}}$  ( $V_{\text{RG}_-}$ ) and  $V_{\text{OUT}}$ . As  $R_{\text{G}}$  becomes larger, the voltage drop across  $R_{\text{G}}$  also becomes larger for a given  $I_{\text{OUT}}$ . This voltage drop further limits the maximum full-scale  $V_{\text{OUT}}$ . Assuming the drop across  $R_{\text{SENSE}}$  is small and  $V_{\text{CC}}$  is connected to either side of  $R_{\text{SENSE}}$ ,  $V_{\text{OUT}}(\text{max}) = V_{\text{CC}} - (1.5\text{V} + I_{\text{OUT}}(\text{max}) \times R_{\text{G}})$ .
- Output Offset Error at Low Load Currents.** Large  $R_{\text{G}}$  values reduce  $I_{\text{OUT}}$  for a given load current. As  $I_{\text{OUT}}$  gets smaller, the  $2.5\mu\text{A}$  max output offset-error current becomes a larger part of the overall output current. Keeping the gain high by choosing a low value for  $R_{\text{G}}$  minimizes this offset error.
- Input Bias Current and Input Bias Current Mismatching.** The size of  $R_{\text{G}}$  also affects the errors introduced by the input bias and input bias mismatching currents. After selecting the ratio, check to

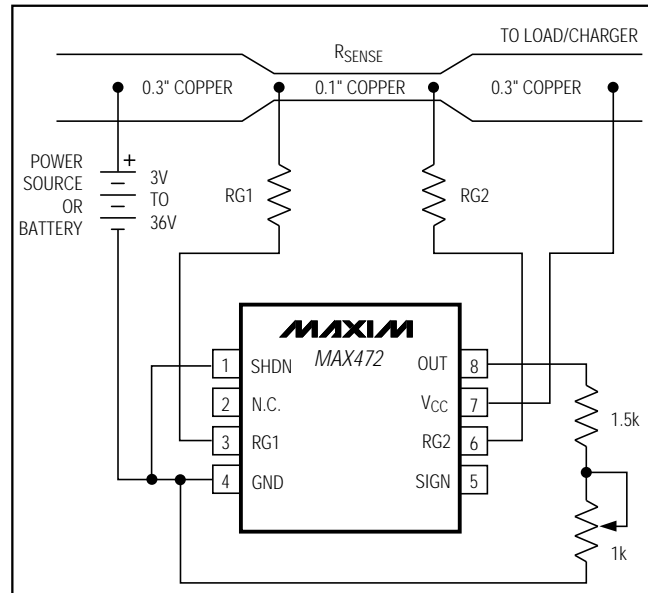


Figure 6. MAX472 Connections Showing Use of PC Board Trace

make sure  $R_{\text{G}}$  is small enough that  $I_{\text{B}}$  and  $I_{\text{OS}}$  do not add any appreciable errors. The full-scale error is given by:

$$\% \text{ Error} = \frac{(R_{\text{G1}} - R_{\text{G2}}) \times I_{\text{B}} + I_{\text{OS}} \times R_{\text{G}}}{I_{\text{FS}} \times R_{\text{SENSE}}} \times 100$$

where  $R_{\text{G1}}$  and  $R_{\text{G2}}$  are the gain resistors,  $I_{\text{B}}$  is the bias current,  $I_{\text{OS}}$  is the bias-current mismatch,  $I_{\text{FS}}$  is the full-scale current, and  $R_{\text{SENSE}}$  is the sense resistor.

Assuming a 5A load current,  $10\text{m}\Omega$   $R_{\text{SENSE}}$ , and  $100\Omega$   $R_{\text{G}}$ , the current-gain ratio is  $100\mu\text{A}/\text{A}$ , yielding a full-scale  $I_{\text{OUT}}$  of  $500\mu\text{A}$ . Using the maximum values for  $I_{\text{B}}$  ( $20\mu\text{A}$ ) and  $I_{\text{OS}}$  ( $2\mu\text{A}$ ), and 1% resistors for  $R_{\text{G1}}$  and  $R_{\text{G2}}$  ( $R_{\text{G1}} - R_{\text{G2}} = 2\Omega$ ), the worst-case error at full scale calculates to:

$$\frac{2\Omega \times 20\mu\text{A} + 100\Omega \times 2\mu\text{A}}{5\text{m}\Omega \times 5\text{A}} = 0.48\%$$

The error may be reduced by: a) better matching of  $R_{\text{G1}}$  and  $R_{\text{G2}}$ , b) increasing  $R_{\text{SENSE}}$ , or c) decreasing  $R_{\text{G}}$ .

## Current-Sense Adjustment (Resistor Range, Output Adjust)

Choose  $R_{\text{OUT}}$  after selecting  $R_{\text{SENSE}}$ ,  $R_{\text{G1}}$ , and  $R_{\text{G2}}$ . Choose  $R_{\text{OUT}}$  to obtain the full-scale voltage you

**Note 4:** Printed Circuit Design, by Gerald L. Ginsberg; McGraw-Hill, Inc.; page 185.

# Precision, High-Side Current-Sense Amplifiers

MAX471/MAX472

require, given the full-scale  $I_{OUT}$  determined by  $R_{SENSE}$ ,  $RG1$ , and  $RG2$ . The high compliance of  $OUT$  permits using  $R_{OUT}$  values up to  $10k\Omega$  with minimal error. Values above  $10k\Omega$  are not usually recommended. The impedance of  $OUT$ 's load (e.g., the input of an op amp or ADC) must be much greater than  $R_{OUT}$  (e.g.,  $100 \times R_{OUT}$ ) to avoid degrading the measurement accuracy.

## High-Current Measurement

The MAX472 can achieve higher current measurements than the MAX471 can. Low-value sense resistors may be paralleled to obtain even lower values, or the PC board trace may be adjusted for any value.

An alternative method is to connect several MAX471s in parallel and connect the high-impedance current-source  $OUT$  pins together to indicate the total system current (Figure 3). Pay attention to layout to ensure equal IR drops in the paralleled connection. This is necessary to achieve equal current sharing.

## Power-Supply Bypassing and Grounding

The MAX471 has been designed as a "high side" (positive terminal) current monitor to ease the task of grounding any battery charger, thermistor, etc. that may be a part of the battery pack. Grounding the MAX471 requires no special precautions; follow the same cautionary steps that apply to the system as a whole. High-current systems can experience large voltage drops across a ground plane, and this drop may add to or subtract from  $V_{OUT}$ . For highest current-measurement accuracy, use a single-point "star" ground.

The MAX471/MAX472 require no special bypassing, and respond quickly to transient changes in line current. If the noise at  $OUT$  caused by these transients is a problem, you may want to place a  $1\mu F$  capacitor at the  $OUT$  pin to ground. You can also place a large capacitor at the  $RS-$  terminal (or "load" side of the MAX472) to decouple the load and, thereby, reduce the current transients. These capacitors are not required for MAX471/MAX472 operation or stability, and their use will not degrade performance.

For the MAX472, the  $RG1$  and  $RG2$  inputs can be filtered by placing a capacitor (e.g.,  $1\mu F$ ) between them to average the sensed current.

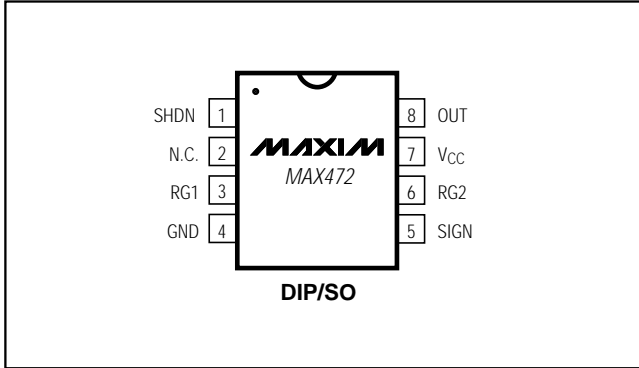
## MAX471 Layout

The MAX471 must be soldered in place, since sockets can cause uneven current sharing between the  $RS+$  pins (pins 2 and 3) and the  $RS-$  pins (pins 6 and 7), resulting in typical errors of 0.5%.

In order to dissipate sense-resistor heat from large sense currents, solder the  $RS+$  pins and the  $RS-$  pins to large copper traces. Keep the part away from other heat-generating devices. This procedure will ensure continuous power dissipation rating.

# Precision, High-Side Current-Sense Amplifiers

\_\_\_ Pin Configurations (continued)



Maxim cannot assume responsibility for use of any circuitry other than circuitry entirely embodied in a Maxim product. No circuit patent licenses are implied. Maxim reserves the right to change the circuitry and specifications without notice at any time.

12 \_\_\_\_\_ Maxim Integrated Products, 120 San Gabriel Drive, Sunnyvale, CA 94086 (408) 737-7600