
Volume Controller IC

PT2259

Description

PT2259 is an 8-pin 2-channel volume controller which utilizes CMOS technology and incorporates the I²C interface control. The controller features an attenuation range of 0 to -79dB, low noise output, a high degree of stereo separation and requires only a small number of external components. PT2259 is an essential component for modern audio visual systems.

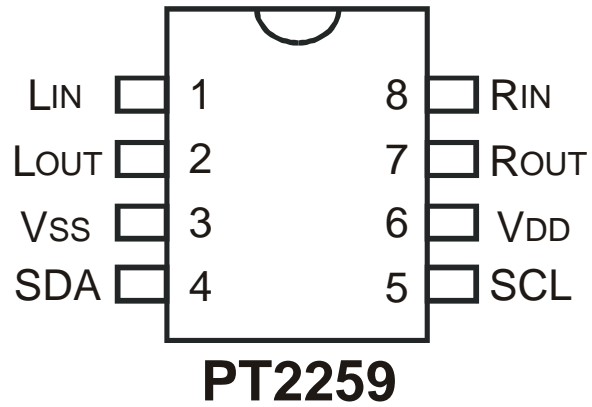
Features

- Attenuation range: 0 to -79dB in 1dB steps
- Operating voltage: 4 to 9V
- Low power consumption
- Low signal noise: S/N > 100dB (A-weighting)
- Stereo separation > 100dB
- Requires few external components
- 2-channel volume individual adjust
- DIP or SO packaging

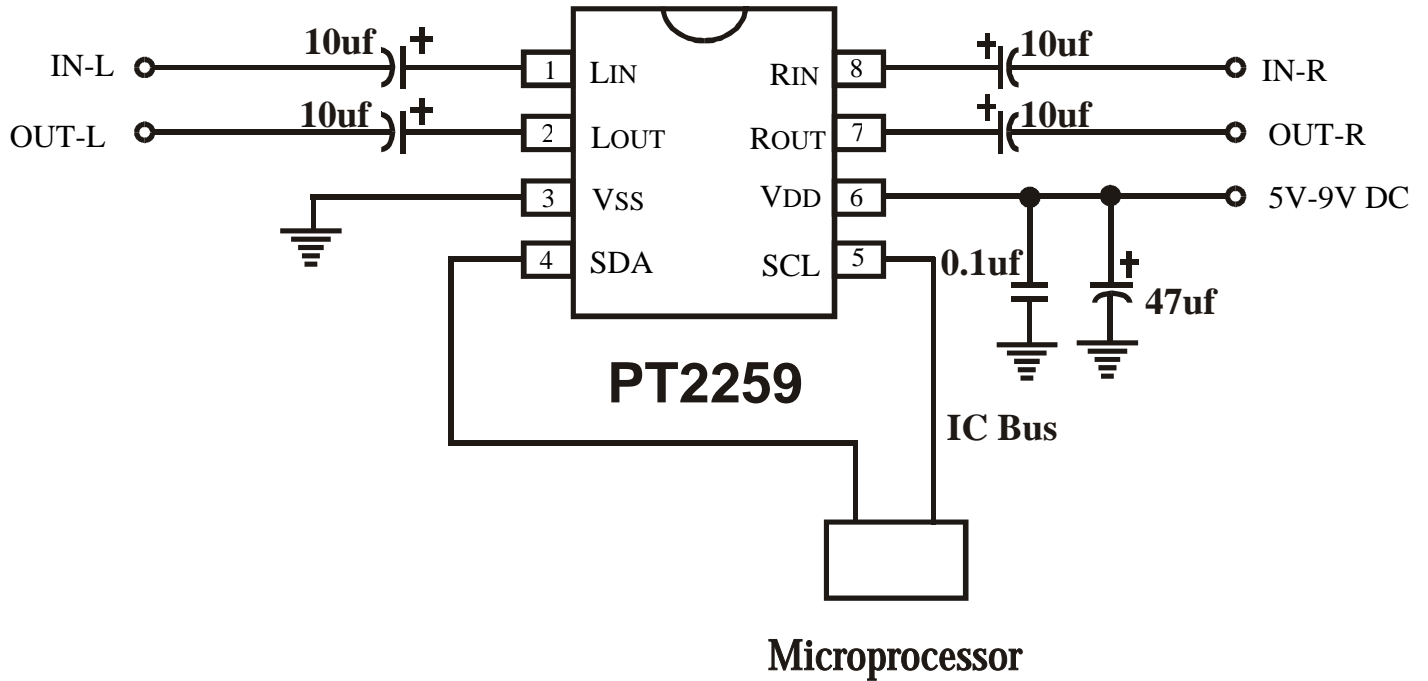
Applications

- Audio/visual surround sound systems
- Car audio systems
- Mini-compo systems
- Computer multi-media speakers
- Other audio applications

Pin Configuration



Application Circuit



Ordering Information

Valid Part Number	Package Type
PT2259	8-Pin, DIP (300mil)
PT2259-S	8-Pin, SO (150mil)