

## Dual Output Rail-to-Rail, High Slew-Rate Amplifiers

### Features

- High Performance Class AB Amplifier
- Output Rail-to-Rail
- Input Common Mode 0~5.7V
- Low Distortion
- Low Power Consumption
- Large Output Voltage Swing
- Excellent Power Supply Ripple Rejection
- 3.0V to 7V Supply Voltage Range
- Surface-Mount Package SOP-8

### Applications

- Sense Amplifier
- Portable Stereo
- Battery-Powered Equipment
- Low Power/Low Voltage Applications
- Set-up Box Audio HP or Pre-driver Applications

### General Description

The G1402 is an output rail-to-rail amplifier in the 8-pin SOP package. It can operate from 3.0V to 7V single power supply or  $\pm 1.5V$  to  $\pm 3.5V$  dual power supplies. AC performance is excellent with 5MHz bandwidth, 6.5V/us slew-rate, 90dB open loop gain, 55 degree phase margin and low distortion.

The G1402 is a dual channel, low voltage, low power, and high performance amplifiers. The quiescent current is typically 1.5mA per amplifier @ 5V.

The G1402 is available in SOP-8 package.

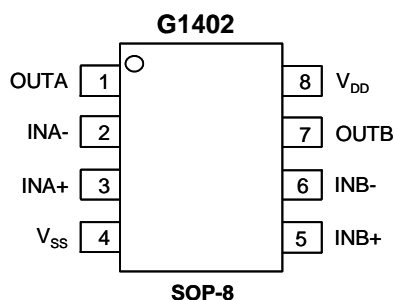
### Ordering Information

ORDER NUMBER (Pb free/Green)	MARKING	TEMP. RANGE	PACKAGE
G1402P1Uf	G1402	-40°C to +85°C	SOP-8

Note: P1: SOP-8

U: Tape & Reel

### Pin Configuration



### Typical Application Circuit

