

Reversible motor driver

BA6219B/6219BFP-Y

The BA6219B and BA6219BFP-Y are reversible-motor drivers suitable for brush motors. Two logic inputs allow four output modes: forward, reverse, idling, and braking. Two motor revolving speed can be set arbitrarily by controlling the voltage applied to the motor.

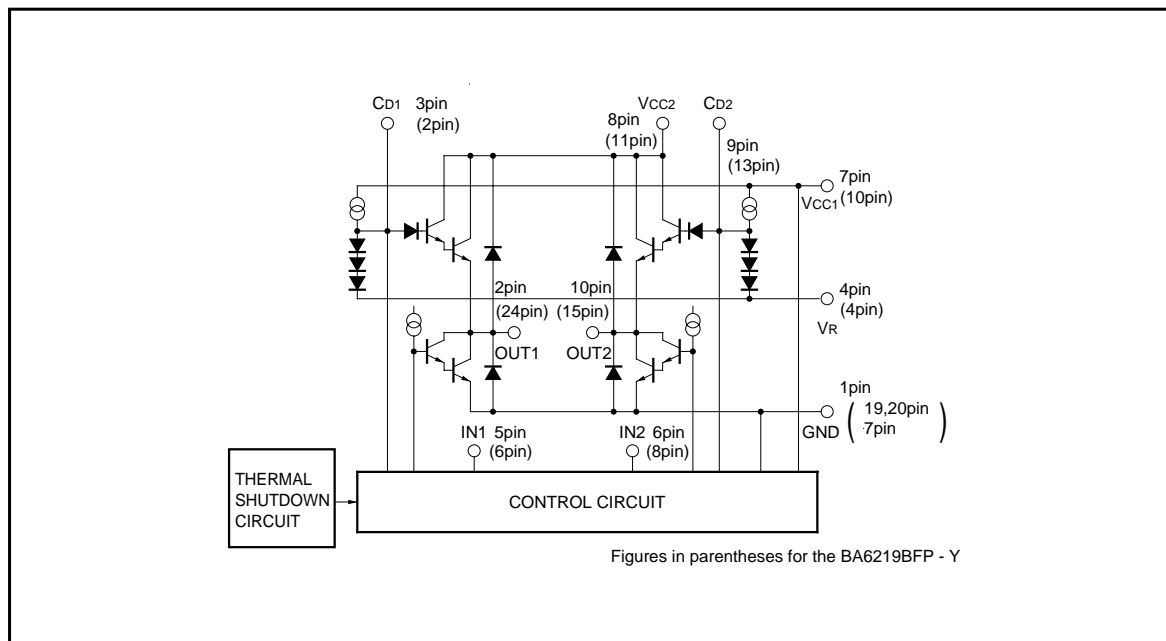
●Features

- 1) Large output current. ($I_o=2.2A$ Max.)
- 2) Built-in thermal shutdown circuit.
- 3) Built-in output voltage setting pins.
- 4) Small standby supply current.

●Applications

VCRs and cassette tape recorders

●Block diagram



Motor driver ICs

●Absolute maximum ratings (Ta = 25°C)

Parameter	Symbol	Limits	Unit
Applied voltage	V _{CC}	24	V
Power dissipation	BA6219B	2200 ^{*1}	mW
	BA6219BFP-Y		
Operating temperature	T _{opr}	-20 to +75	°C
Storage temperature	T _{stg}	-50 to +125	°C
Output current	I _o	2.2 ^{*3}	A
Input voltage	V _{IN}	-0.3 to V _{CC1}	V

*1 Reduced by 22mW for each increase in Ta of 1°C over 25°C.

*2 When mounted on a 90×50×1.6 mm glass epoxy board.

Reduced by 14.5 mW for each increase in Ta of 1°C over 25°C .

*3 3500µs pulse with a duty ratio of 1% .

●Recommended operating conditions (Ta = 25°C)

Parameter	Symbol	Min.	Typ.	Max.	Unit
Operating power supply voltage	V _{CC1}	8	-	18	V
	V _{CC2}				

●Electrical characteristics (unless otherwise noted, Ta=25°C and V_{CC}=12V)

Parameter	Symbol	Min.	Typ.	Max.	Unit	Conditions
Current dissipation 1	I _{CC1}	-	1.2	2.5	mA	Both input pins LOW
Current dissipation 2	I _{CC2}	-	16	35	mA	One input HIGH, the other LOW
Current dissipation 3	I _{CC3}	-	25	60	mA	Both input pins HIGH
Input threshold voltage	V _{TH}	1.0	2.0	3.0	V	Low level is 1V or less, HIGH level is 3V or more
Output high level voltage	V _H	6.5	-	-	V	R _L =60,Z _D =6.8V
Output low level voltage	V _L	-	-	1.2	V	R _L =60

●Electrical characteristics curves

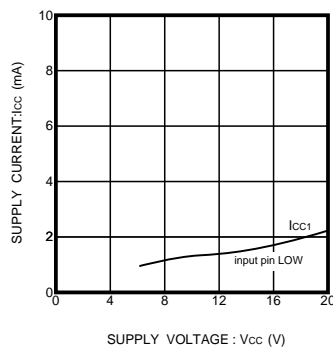


Fig.1 Current dissipation 1 vs. power supply voltage

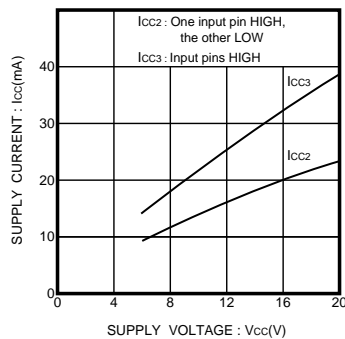


Fig.2 Current dissipation 2,3 vs. power supply voltage

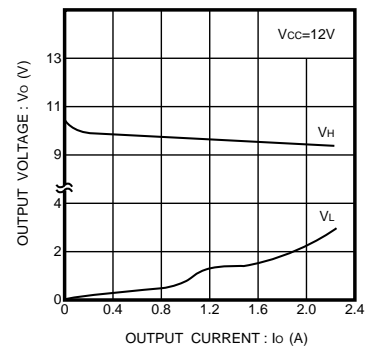


Fig.3 Output voltage vs. output current

Motor driver ICs

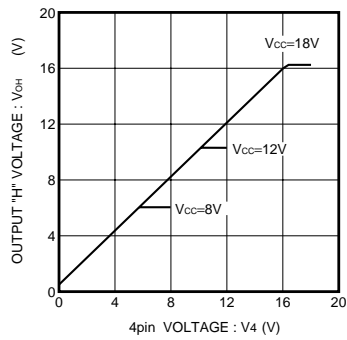


Fig.4 Output voltage vs. 4 pin voltage

●Measurement circuits

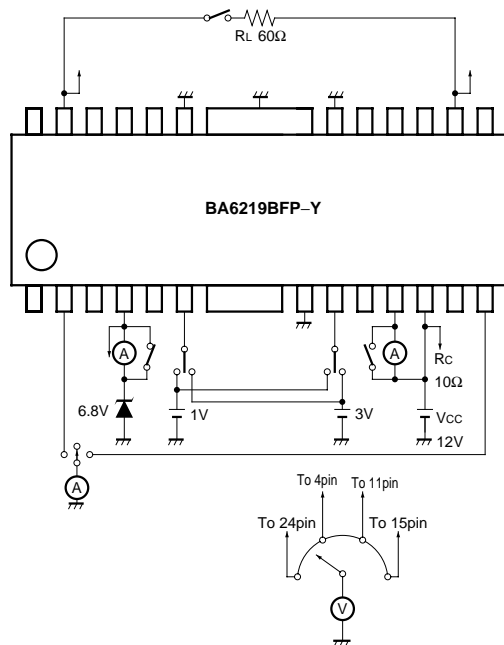


Fig.5

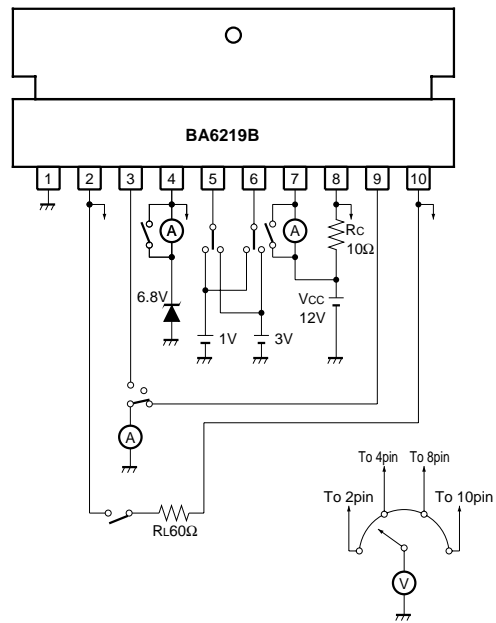


Fig.6

●Input / Output circuit

Input		Output		Mode
IN1	IN2	OUT1	OUT2	
L	L	OPEN	OPEN	Idling
H	L	H	L	Forward
L	H	L	H	Reverse
H	H	L	L	Braking

Note : HIGH level input is 3.0V or more.
 LOW level input is 1.0V or less.

Motor driver ICs

●Pin descriptions

(BA6219BFP-Y)

Pin No.	Pin name	Function
1	–	N. C.
2	C _{D1}	Capacitor connection pin for preventing both output transistors being turned on at the same time
3	–	N. C.
4	V _R	Output HIGH voltage setting
5	–	N. C.
6	IN1	Logic input
7	GND	GND
8	IN2	Logic input
9	–	N. C.
10	V _{CC1}	Small signal section power supply
11	V _{CC2}	Motor output power supply
12	–	N. C.
13	C _{D2}	Capacitor connection pin for preventing both output transistors being turned on at the same time
14	–	N. C.
15	OUT2	Motor output
16	–	N. C.
17	–	N. C.
18	–	N. C.
19	GND	GND
20	GND	GND
21	–	N. C.
22	–	N. C.
23	–	N. C.
24	OUT1	Motor output
25	–	N. C.
F _{IN}	GND	GND

* All the GND pins have to be connected.

(BA6219B)

Pin No.	Pin name	Function
1	GND	GND
2	OUT 1	Motor output
3	C _{D1}	Capacitor connection pin for preventing both output transistors being turned on at the same time
4	V _R	Output HIGH voltage setting
5	IN1	Logic input
6	IN2	Logic input
7	V _{CC1}	Control circuit power supply
8	V _{CC2}	Output power supply
9	C _{D2}	Capacitor connection pin for preventing both output transistors being turned on at the same time
10	OUT 2	Motor output

Motor driver ICs

●Operation notes

(1) A schematic for the internal circuit associated with the output voltage setting pin (Pin 4) is shown in Fig.7.

The maximum output voltage ($V_{OMAX.}$) is given by :

$$V_{OMAX.} = V_{CC1} - V_{SAT(Q1)} - V_{BE(Q2)} - V_{BE(Q3)} - V_{BE(Q4)}$$

For the condition of V_R being equal to or less than $V_{OMAX.}$, the relationship between the output voltage (V_O) and the pin 4 voltage is given by:

$$V_O = V_R + \{(V_{BE(Q5)} + V_{BE(Q6)} + V_{BE(Q7)}) - (V_{BE(Q2)} + V_{BE(Q3)} + V_{BE(Q4)})\}$$

Though ΔV_{BE} depends on the output power supply, V_O is nearly equal to V_R .

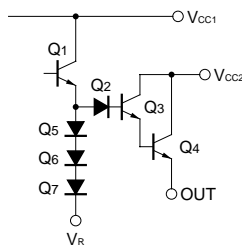


Fig.7

(2) Thermal shutdown circuit

The thermal shutdown circuit turns off the driver output if the chip temperature rises to about 180°. The shutdown signal is not latched.

(3) Power supply impedance

When the motor stops or starts, a rush current flows in the V_{CC} and GND lines. Depending on the way of connecting a power supply decoupling capacitor (100 μ F), the control input voltage may become a negative value or the supply voltage may drop to below the output voltage. This can cause erratic operations due to parasitic effects. Make sure that pin voltages will not exceed the supply voltage by more than 0.3V or will not become less than the GND pin voltage by more than 0.3V.

(4) V_{CC1} , V_{CC2} , and V_R are related to each other as shown in the output circuit diagram of Fig.8. Their values should be kept within the following ranges.

Operating supply voltage ranges

Pin	Voltage	Unit
V_{CC1}	8 to 18	V
V_{CC2}	8 to 18	V
V_R	Indicated in the following	-

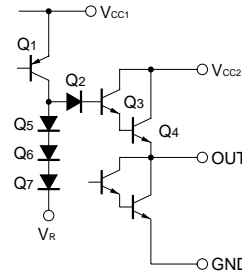


Fig.8

1) When the output voltage control pin (pin 4) is used

$$V_R < V_{CC1} - (V_{SAT(Q1)} + V_{BE(Q5)} + V_{BE(Q6)} + V_{BE(Q7)})$$

$$\doteq V_{CC1} - 2.5V$$

$$V_R < V_{CC2} - \{(V_{SAT(Q3)} - V_{BE(Q3)} - V_{BE(Q2)})$$

$$+ (V_{BE(Q5)} + V_{BE(Q6)} + V_{BE(Q7)})\} \doteq V_{CC1} - 1V$$

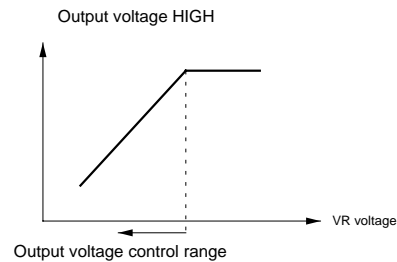
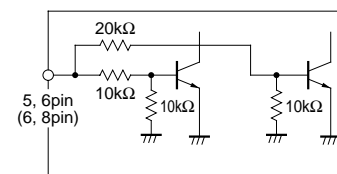


Fig.9

2) When the output voltage control pin (pin4) is not used, V_R is either short-circuited to V_{CC1} or left OPEN.

(5) Input circuit



Figures in parentheses are for the BA6219BFP-Y

Fig.10

Motor driver ICs

(6) The quality of these products have been carefully checked; however, use of the products with applied voltages, operating temperatures, or other parameters that exceed the absolute maximum rating given may result in the damage of the IC and the product it is used in. If the IC is damaged, the short mode and open modes cannot be specified, so if the IC is to be used in applications where parameters may exceed the absolute maximum ratings, then be sure to incorporate fuses, or other physical safety measures.

(7) Input pins

Voltage should never be applied to the input pins when the V_{CC} voltage is not applied to the IC. Similarly, when V_{CC} is applied, the voltage on each input pin should be less than V_{CC} and within the guaranteed range for the electrical characteristics.

(8) Back-rush voltage

Depending on the ambient conditions, environment, or motor characteristics, the back-rush voltage may fluctuate. Be sure to confirm that the back-rush voltage will not adversely affect the operation of the IC.

(9) Power dissipation

The power dissipation will fluctuate depending on the mounting conditions of the IC and the ambient environment. Make sure to carefully check the thermal design of the application where ICs will be used.

(10) Power consumption

The power consumption by the IC varies widely with the power supply voltage and the output current. Give full consideration to the power dissipation rating and the thermal resistance data, to provide a thermal design so that none of the rating for the IC are exceeded.

(11) ASO

Make sure that the output current and supply voltage do not exceed the ASO values.

(12) Precautions for input mode switching

To ensure reliability, it is recommended that the mode switching for the motor pass once through the open mode.

(13) There are no circuits built into these ICs that prevent in-rush currents. Therefore, it is recommended to place a current limiting resistor or other physical countermeasure.

(14) If the potential of the output pin sways greatly and goes below the potential of ground, the operation of the IC may malfunction or be adversely affected. In such a case, place a diode between the output and ground, or other measure, to prevent this.

Motor driver ICs

●Application examples

(1) BA6219B

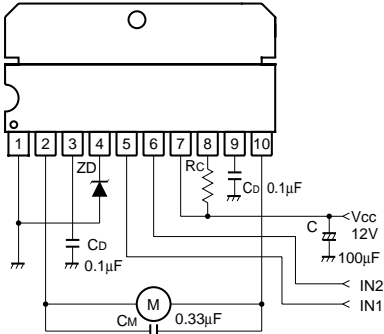


Fig.11

(2) BA6219BFP-Y

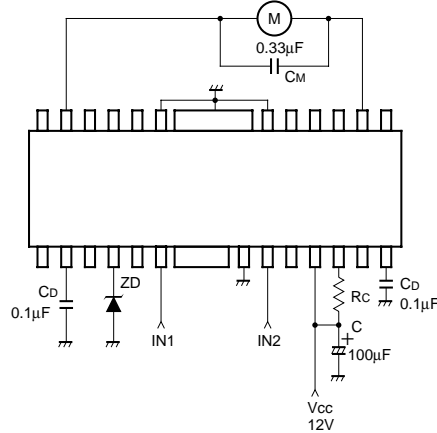


Fig.12

ZD : Zener diode to set output voltage. Use any zener diode that is suitable for your application.

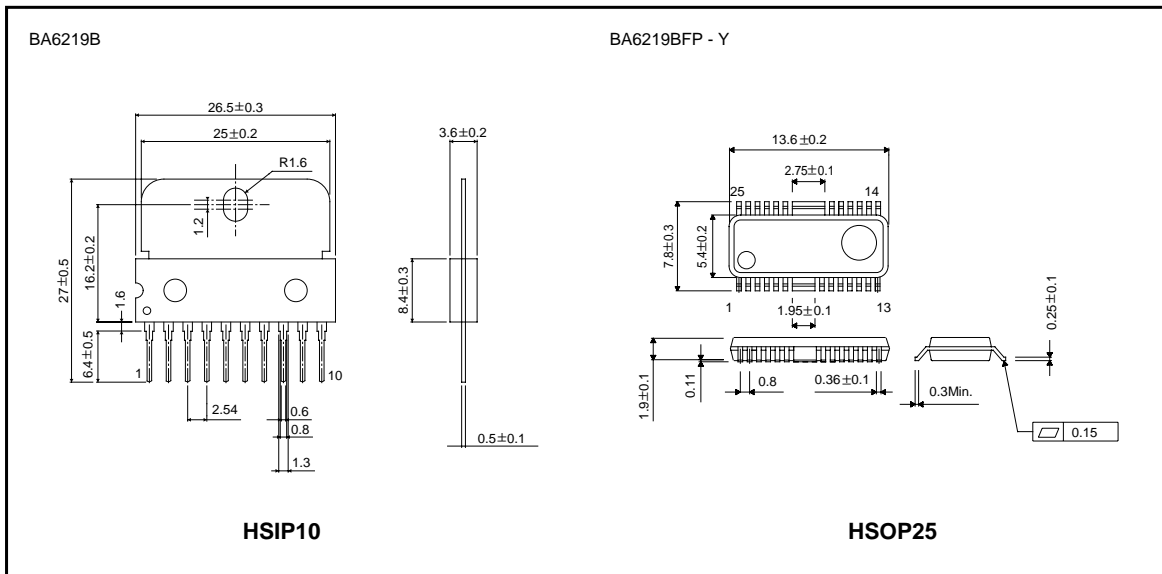
Rc : Resistor used for reducing collector loss and limiting the short-circuit current. A resistance range of 3 to 10Ω is recommended.

C : Power supply filtering capacitor. Place as near as possible to the V_{CC1} pin.

CD : Capacitor to prevent both output transistors being turned on at the same time.

CM : Capacitor to absorb surge voltage and prevent Parasitic oscillations.

●External dimensions(Unit : mm)



Notes

- No technical content pages of this document may be reproduced in any form or transmitted by any means without prior permission of ROHM CO.,LTD.
- The contents described herein are subject to change without notice. The specifications for the product described in this document are for reference only. Upon actual use, therefore, please request that specifications to be separately delivered.
- Application circuit diagrams and circuit constants contained herein are shown as examples of standard use and operation. Please pay careful attention to the peripheral conditions when designing circuits and deciding upon circuit constants in the set.
- Any data, including, but not limited to application circuit diagrams information, described herein are intended only as illustrations of such devices and not as the specifications for such devices. ROHM CO.,LTD. disclaims any warranty that any use of such devices shall be free from infringement of any third party's intellectual property rights or other proprietary rights, and further, assumes no liability of whatsoever nature in the event of any such infringement, or arising from or connected with or related to the use of such devices.
- Upon the sale of any such devices, other than for buyer's right to use such devices itself, resell or otherwise dispose of the same, no express or implied right or license to practice or commercially exploit any intellectual property rights or other proprietary rights owned or controlled by
- ROHM CO., LTD. is granted to any such buyer.
- Products listed in this document use silicon as a basic material.
Products listed in this document are no antiradiation design.

The products listed in this document are designed to be used with ordinary electronic equipment or devices (such as audio visual equipment, office-automation equipment, communications devices, electrical appliances and electronic toys).

Should you intend to use these products with equipment or devices which require an extremely high level of reliability and the malfunction of which would directly endanger human life (such as medical instruments, transportation equipment, aerospace machinery, nuclear-reactor controllers, fuel controllers and other safety devices), please be sure to consult with our sales representative in advance.

About Export Control Order in Japan

Products described herein are the objects of controlled goods in Annex 1 (Item 16) of Export Trade Control Order in Japan.

In case of export from Japan, please confirm if it applies to "objective" criteria or an "informed" (by MITI clause) on the basis of "catch all controls for Non-Proliferation of Weapons of Mass Destruction.