

# TUA6034, TUA6036

3-Band Digital TV / Set-Top-Box Tuner IC

TAIFUN

Version 2.5

Wireless Communication



Never stop thinking.

**Edition 2004-04-28**

**Published by Infineon Technologies AG,  
St.-Martin-Strasse 53,  
81669 München, Germany**

**© Infineon Technologies AG 2004.  
All Rights Reserved.**

**Attention please!**

The information herein is given to describe certain components and shall not be considered as a guarantee of characteristics.

Terms of delivery and rights to technical change reserved.

We hereby disclaim any and all warranties, including but not limited to warranties of non-infringement, regarding circuits, descriptions and charts stated herein.

**Information**

For further information on technology, delivery terms and conditions and prices please contact your nearest Infineon Technologies Office in Germany or the Infineon Technologies Companies and our Infineon Technologies Representatives worldwide ([www.infineon.com](http://www.infineon.com)).

**Warnings**

Due to technical requirements components may contain dangerous substances. For information on the types in question please contact your nearest Infineon Technologies Office.

Infineon Technologies Components may only be used in life-support devices or systems with the express written approval of Infineon Technologies, if a failure of such components can reasonably be expected to cause the failure of that life-support device or system, or to affect the safety or effectiveness of that device or system. Life support devices or systems are intended to be implanted in the human body, or to support and/or maintain and sustain and/or protect human life. If they fail, it is reasonable to assume that the health of the user or other persons may be endangered.

# TUA6034, TUA6036

3-Band Digital TV / Set-Top-Box Tuner IC

TAIFUN

Version 2.5

Wireless Communication



Never stop thinking.

Page (in previous Version)	Page (in current Version)	Subjects (major changes since last revision)
----------------------------------	---------------------------------	--

**Revision History: Target Spec. V1.1, January 2001**

Data Sheet: Target Spec. V1.0, November 2000

div.	div.	in extended mode reference division ratio 80 replaced by 32
5-2	5-2	new definition of thermal properties

**Revision History: Current Version:Preliminary Spec. V1.2, April 2001**

Data Sheet: Target Spec. V1.1, January 2001

div.	div.	status: preliminary
div.	div.	bug fixes: TSSOP and VQFN pinning. Changes: application focus to digital applications, tbd's replaced by values
5-10, 5-11	5-10, 5-11	phase noise values added
5-21	5-21	diagrams added

**Revision History: Current Version:Preliminary Spec. V1.3, July 2001**

Data Sheet: Target Spec. V1.2, April 2001

div.	div	Stand-by mode added
5-5	5-5	Crystal Oscillator: Input impedances added
5-7	5-7	Output leakage current replaced by port output voltage Symbol for port output saturation voltages changed
5-12	5-12	AGC source current 2 and AGC output voltage changed
5-15	5-15	Definition for MA1= 0 and MA0 = 1 changed

**Revision History: Current Version:Preliminary Spec. V1.4, October 2001**

Data Sheet: Target Spec. V1.3, July 2001

3-5, 3-7	3-5, 3-7	PNP ports: Pull-down resistors added
5-5	5-5	MID band: $I_{VCC}$ corrected
5-10, 5-11	5-10, 5-11	Phase Noise: new values
5-12	5-12	AGC output voltage changed

**Revision History: Current Version:Preliminary Spec. V2.0, May2002**

Data Sheet: Target Spec. V1.4, October 2001

all	all	preliminary and confidential deleted
-----	-----	--------------------------------------

**TUA6034, TUA6036****Revision History: 2004-04-28**

V 2.5

div	div	tbfs replaced, ISDB-T application deleted
-----	-----	---

**Revision History: Current Version:Preliminary Spec. V2.1, August 2002**

Data Sheet: Target Spec. V2.0, May 2002

5-6	5-6	Bus output SDA, Low-level output voltage, $I_{OL} = 6 \text{ mA}$ at 400 kHz deleted
-----	-----	---

**Revision History: Current Version:Preliminary Spec. V2.2, December 2002**

Data Sheet: Target Spec. V2.1, August 2002

3-2 ff	3-2 ff	Pinning of TUA6034-V changed
--------	--------	------------------------------

**Revision History: Current Version: V2.3, February 2003**

Data Sheet: Target Spec. V2.2, December 2002

all	all	Mirrored version TUA6036 added
-----	-----	--------------------------------

**Revision History: Current Version V2.4, March 2003**

Data Sheet: Target Spec. V2.3, February 2003

2-10, 4-29, 4-30	2-10, 4-29, 4-30	Frequencies corrected
5-34	5-34	Ambient temperature extended
5-38, 5-39, 5-40	5-38, 5-39, 5-40	Input IP2, Input IIP3, Output voltage causing 1 dB compression added, test frequencies changed

**Revision History: Current Version: V2.5, April 2004**

Data Sheet: Target Spec. V2.4, March 2003

5-35	33	Crystal oscillation frequency added
div.	div.	TUA6034-V in VQFN-48 package
n.a.	28	ISDB-T application added
all	all	New Infineon template (A5 letter page size)

**We Listen to Your Comments**

Any information within this document that you feel is wrong, unclear or missing at all? Your feedback will help us to continuously improve the quality of this document.

Please send your proposal (including a reference to this document) to:

[horst.klein@infineon.com](mailto:horst.klein@infineon.com)



## Product Info

### General Description

The **TUA6034, TUA6036 'TAIFUN'** device combines a mixer-oscillator block with a digitally programmable phase locked loop (PLL) for use in TV and VCR tuners and in set-top-box applications.

### Features

#### General

- Suitable for PAL, NTSC, DVB and ATSC
- Wideband AGC detector for internal tuner AGC
  - 5 programmable take-over points
  - 2 programmable time constants
- Low phase noise
- Full ESD protection

#### Mixer/Oscillator

- High impedance mixer input (common emitter) for LOW band
- Low impedance mixer input (common base) for MID band
- Low impedance mixer input (common base) for HIGH band
- 2 pin oscillator for LOW band
- 2 pin oscillator for MID band
- 4 pin oscillator for HIGH band

#### IF-Amplifier

- Symmetrical IF preamplifier with low output impedance able to drive a compensated SAW filter (500Ω//40pF)

#### PLL

- 4 independent I<sup>2</sup>C addresses
- I<sup>2</sup>C bus protocol compatible with 3.3 V and 5V micro-controllers up to 400 kHz
- High voltage VCO tuning output
- 4 PNP ports
- 1 NPN port/ADC input
- Internal LOW/MID/HIGH band switch
- Stand-by mode
- Lock-in flag
- 6 programmable reference divider ratios (24, 28, 32, 64, 80, 128)
- 4 programmable charge pump currents

### Application

- The IC is suitable for PAL, NTSC, DVB-C, DVB-T, ISDB-T and ATSC tuners. The focus is on digital terrestrial.

The AGC stage makes the tuner AGC independent of the Video-IF AGC.

### Ordering Information

Type	Ordering Code	Package
TUA6034-T	Q67034-H0009	TSSOP-38
TUA6036-T	Q67037-A0012	TSSOP-38
TUA6034-V	Q67034-H0008	VQFN-48

<b>Table of Contents</b>		<b>Page</b>
<b>1</b>	<b>Product Description</b> .....	9
1.1	Features .....	9
1.1.1	General .....	9
1.1.2	Mixer/Oscillator .....	9
1.1.3	IF-Amplifier .....	9
1.1.4	PLL .....	10
1.2	Application .....	10
<b>2</b>	<b>Functional Description</b> .....	12
2.1	Pin Configuration .....	12
2.2	Pin Definition and Functions .....	15
2.3	Functional Block Diagram .....	21
2.4	Circuit Description .....	24
2.4.1	Mixer-Oscillator block .....	24
2.4.2	PLL block .....	24
2.4.3	AGC .....	25
2.4.4	I2C-Bus Interface .....	25
<b>3</b>	<b>Applications</b> .....	27
3.1	Application Circuit for ATSC .....	27
3.2	Application Circuit for DVB-T .....	28
3.3	Application Circuit for ISDB-T .....	29
<b>4</b>	<b>Reference</b> .....	30
4.1	Electrical Data .....	30
4.1.1	Absolute Maximum Ratings .....	30
4.1.2	Operating Range .....	32
4.1.3	AC/DC Characteristics .....	33
4.2	Programming .....	46
4.3	I2C Bus Timing Diagram .....	51
4.4	Electrical Diagrams .....	52
4.4.1	Input admittance (S11) of the LOW band mixer (40 to 150 MHz) .....	52
4.4.2	Input impedance (S11) of the MID band mixer (150 to 455 MHz) .....	52
4.4.3	Input impedance (S11) of the HIGH band mixer (450 to 865 MHz) .....	53
4.4.4	Output admittance (S22) of the of the mixers (30 to 50 MHz) .....	53
4.4.5	Input impedance (S11) of the IF amplifier (30 to 50 MHz) .....	54
4.4.6	Output impedance (S22) of the IF amplifier (30 to 50 MHz) .....	54
4.5	Measurement Circuits .....	55
4.5.1	Gain (GV) measurement in LOW band .....	55
4.5.2	Gain (GV) measurement in MID and HIGH bands .....	55
4.5.3	Matching circuit for optimum noise figure in LOW band .....	56
4.5.4	Noise figure (NF) measurement in LOW band .....	56
4.5.5	Noise figure (NF) measurement in MID and HIGH bands .....	57
4.5.6	Cross modulation measurement in LOW band .....	57

4.5.7	Cross modulation measurement in MID and HIGH bands . . . . .	58
4.5.8	Ripple susceptibility measurement . . . . .	58
<b>5</b>	<b>Package Outlines . . . . .</b>	<b>59</b>
5.1	TSSOP-38 . . . . .	59
5.2	VQFN-48 . . . . .	60
	<b>Index . . . . .</b>	<b>63</b>



## 1 Product Description

The **TUA6034, TUA6036 'TAIFUN'** device combines a mixer-oscillator block with a digitally programmable phase locked loop (PLL) for use in TV and VCR tuners and in set-top-box applications.

The mixer-oscillator block includes three balanced mixers (one mixer with an unbalanced high-impedance input and two mixers with a balanced low-impedance input), two 2-pin asymmetrical oscillators for the LOW and the MID band, one 4-pin symmetrical oscillator for the HIGH band, an IF amplifier, a reference voltage, and a band switch.

The PLL block with four independently selectable chip addresses forms a digitally programmable phase locked loop. With a 4 MHz quartz crystal, the PLL permits precise setting of the frequency of the tuner oscillator up to 1024 MHz in increments of 31.25, 50, 62.5, 125, 142.86 or 166.7 kHz. The tuning process is controlled by a microprocessor via an I<sup>2</sup>C bus. The device has 5 output ports, one of them (P4) can also be used as ADC input port. A flag is set when the loop is locked. The lock flag can be read by the processor via the I<sup>2</sup>C bus.

### 1.1 Features

#### 1.1.1 General

- Suitable for PAL, NTSC, DVB, ISDB-T and ATSC
- Wideband AGC detector for internal tuner AGC
  - 5 programmable take-over points
  - 2 programmable time constants
- Low phase noise
- Full ESD protection

#### 1.1.2 Mixer/Oscillator

- High impedance mixer input (common emitter) for LOW band
- Low impedance mixer input (common base) for MID band
- Low impedance mixer input (common base) for HIGH band
- 2 pin oscillator for LOW band
- 2 pin oscillator for MID band
- 4 pin oscillator for HIGH band

#### 1.1.3 IF-Amplifier

- Symmetrical IF preamplifier with low output impedance able to drive a compensated SAW filter (500  $\Omega$ /40 pF)

### 1.1.4 PLL

- 4 independent I<sup>2</sup>C addresses
- I<sup>2</sup>C bus protocol compatible with 3.3 V and 5V micro-controllers up to 400 kHz
- High voltage VCO tuning output
- 4 PNP ports
- 1 NPN port/ADC input
- Stand-by mode
- Internal LOW/MID/HIGH band switch
- Lock-in flag
- 6 programmable reference divider ratios (24, 28, 32, 64, 80, 128)
- 4 programmable charge pump currents

## 1.2 Application

- The IC is suitable for PAL, NTSC, DVB-C, DVB-T, ISDB-T and ATSC tuners. The focus is on digital terrestrial.
- The AGC stage makes the tuner AGC independent of the Video-IF AGC.

Recommended band limits in MHz:

**Table 1 ATSC tuners**

Band	RF input		Oscillator	
	min	max	min	max
LOW	55.25	157.25	101	203
MID	163.25	451.25	201	479
HIGH	457.25	861.25	503	907

**Table 2 DVB-T tuners**

Band	RF input		Oscillator	
	min	max	min	max
LOW	48.25	154.25	87.15	193.15
MID	161.25	439.25	200.15	478.15
HIGH	447.25	863.25	486.15	902.15

**Table 3 ISDB-T tuners**

Band	RF input		Oscillator	
	min	max	min	max
LOW	93	167	150	224
MID	173	467	230	524
HIGH	473	767	530	824

*Note: Tuning margin of 3 MHz not included.*

## 2 Functional Description

### 2.1 Pin Configuration

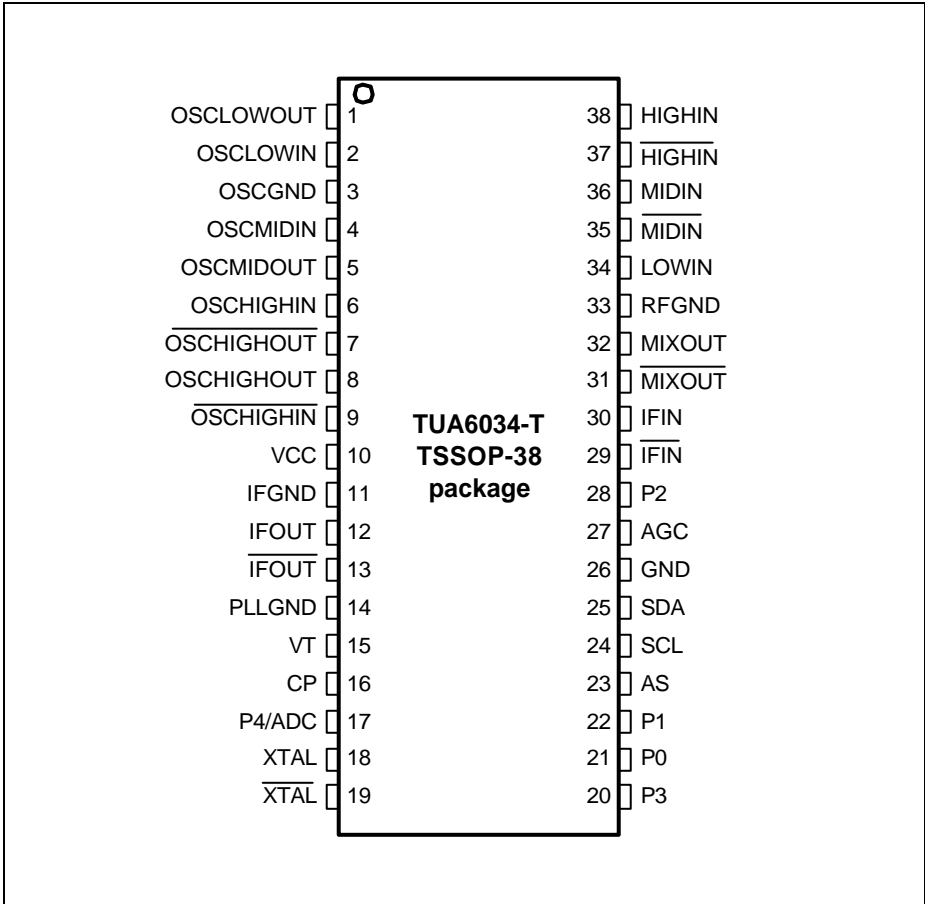


Figure 1 Pin Configuration TUA6034 in TSSOP-38 Package

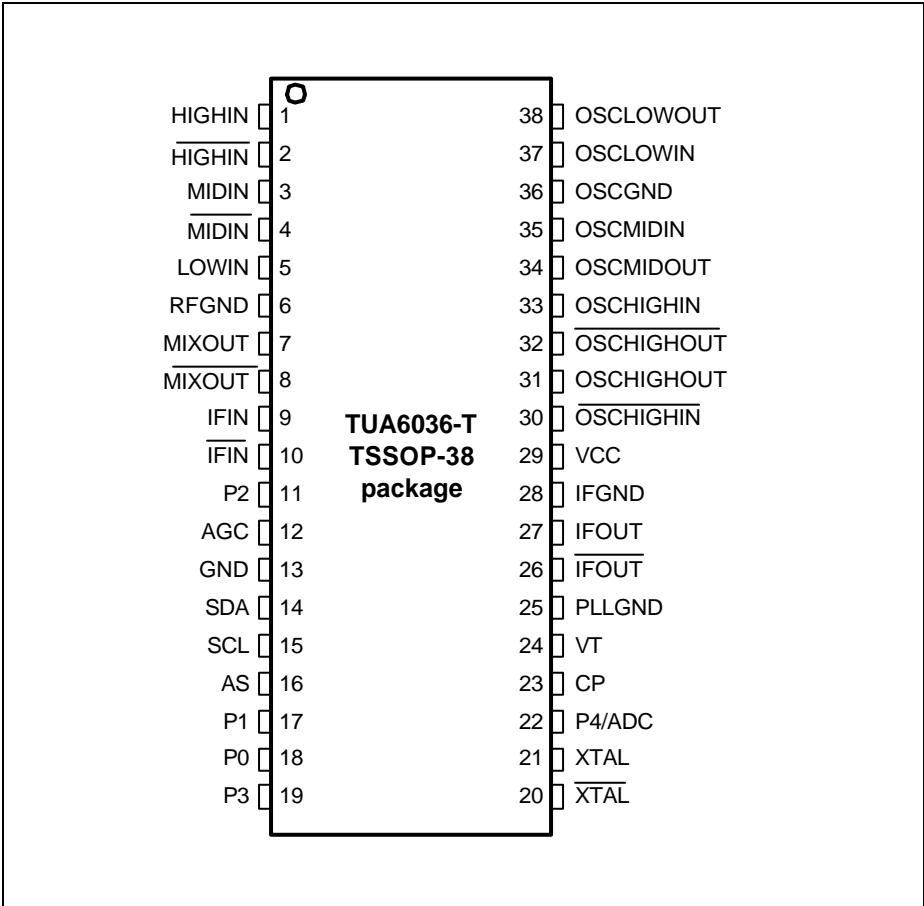


Figure 2 Pin Configuration TUA6036 in TSSOP-38 Package

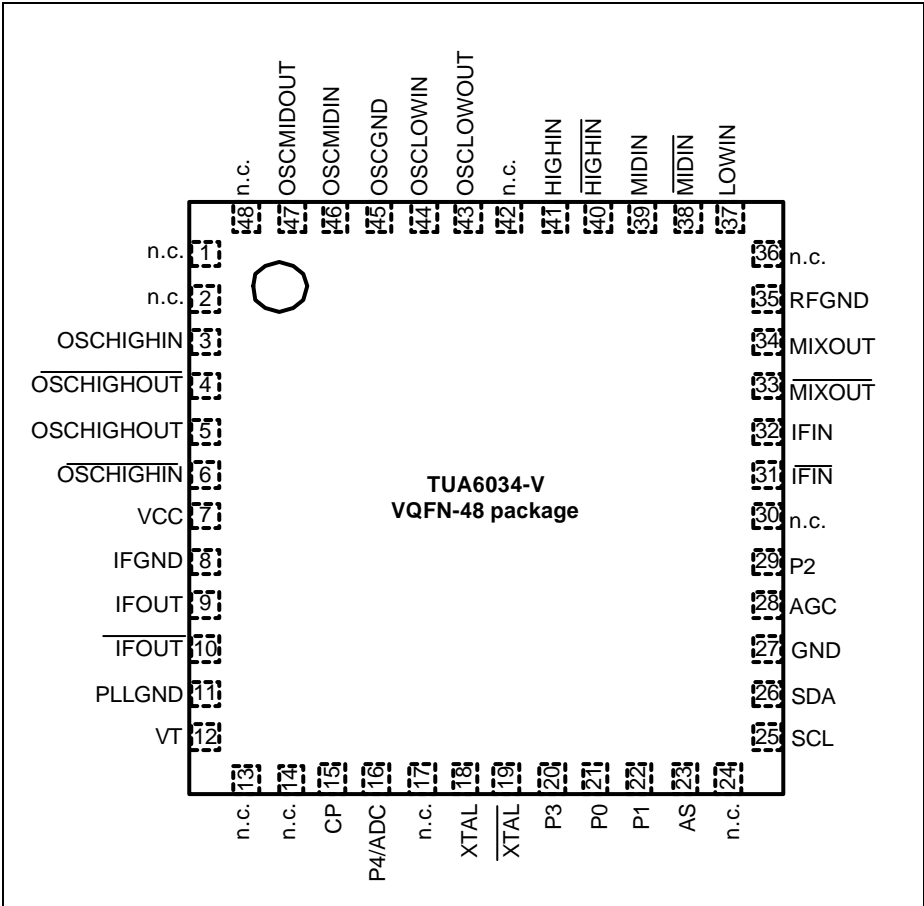
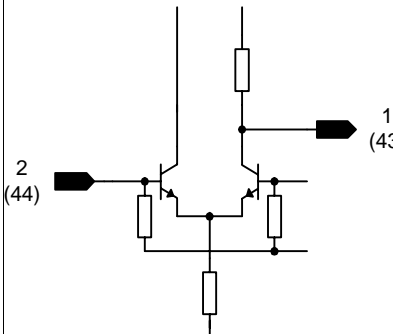
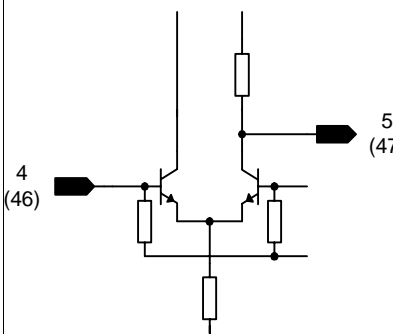


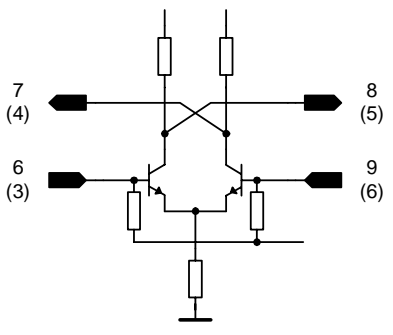
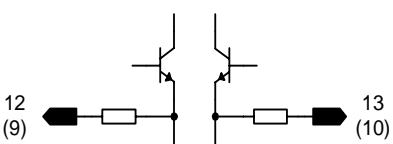
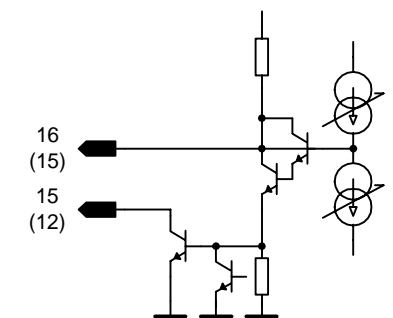
Figure 3 Pin Configuration TUA6034 in VQFN-48 Package

## 2.2 Pin Definition and Functions

Table 4 Pin Definition and Functions

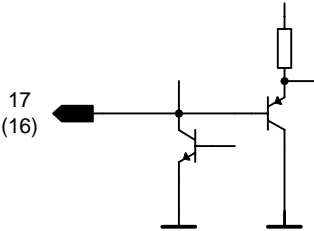
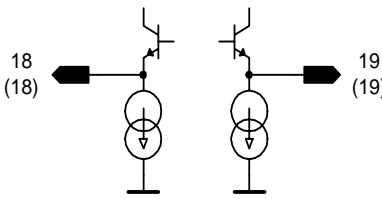
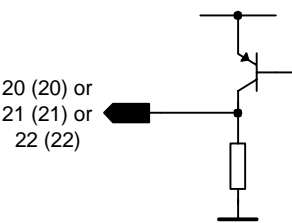
Pin No.		Symbol	Equivalent I/O Schematic pin designation in parenthesis refer to VQFN-48 package	Average DC voltage		
TSS OP- 38	VQ FN- 48			LOW	MID	HIGH
1/38	43	OSCLOWOUT		2.1 V		
2/37	44	OSCLOWIN		1.45 V		
3/36	45	OSCGND	oscillator ground	0.0 V	0.0 V	0.0 V
4/35	46	OSCMIDIN			1.45 V	
5/34	47	OSCMIDOUT			2.1 V	

**Functional Description**

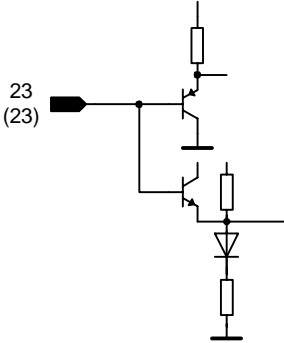
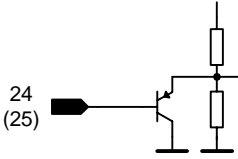
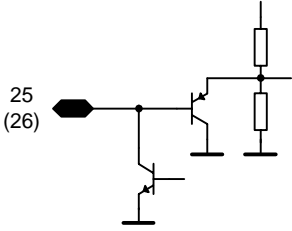
Pin No.		Symbol	Equivalent I/O Schematic  pin designation in parenthesis refer to VQFN-48 package	Average DC voltage		
TSS OP-38	VQ FN-48			LOW	MID	HIGH
6/33	3	OSCHIGHIN				1.5 V
7/32	4	OSCHIGHOUT				2.4 V
8/31	5	OSCHIGHOUT				2.4 V
9/30	6	OSCHIGHIN				1.5 V
10/29	7	VCC	supply voltage	5.0 V	5.0 V	5.0 V
11/28	8	IFGND	IF ground	0.0 V	0.0 V	0.0 V
12/27	9	IFOUT		2.2 V	2.2 V	2.2 V
13/26	10	IFOUT		2.2 V	2.2 V	2.2 V
14/25	11	PLLGND	PLL ground	0.0 V	0.0 V	0.0 V
15/24	12	VT		VT	VT	VT
16/23	15	CP		2.0 V	2.0 V	2.0 V



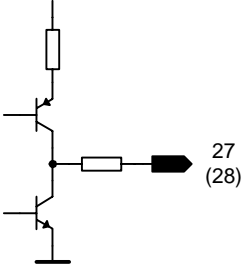
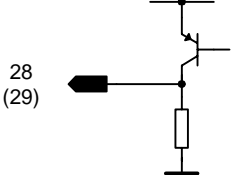
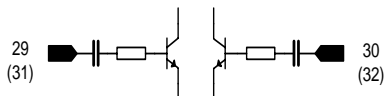
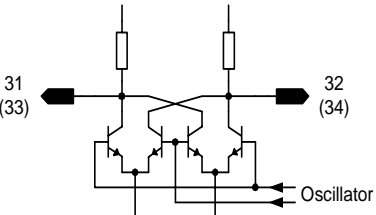
**Functional Description**

Pin No.		Symbol	Equivalent I/O Schematic  pin designation in parenthesis refer to VQFN-48 package	Average DC voltage		
TSS OP- 38	VQ FN- 48			LOW	MID	HIGH
17/ 22	16	P4/ADC		5 V or $V_{CE}$	5 V or $V_{CE}$	5 V or $V_{CE}$
18/ 21	18	XTAL		1.7 V	1.7 V	1.7 V
19/ 20	19	XTAL		1.7 V	1.7 V	1.7 V
20/ 19	20	P3		0 V or $V_{CC} -$ $V_{CE}$	0 V or $V_{CC} -$ $V_{CE}$	0 V or $V_{CC} -$ $V_{CE}$
21/ 18	21	P0		$V_{CC} -$ $V_{CE}$	n.a.	n.a.
22/ 17	22	P1		n.a.	$V_{CC} -$ $V_{CE}$	n.a.

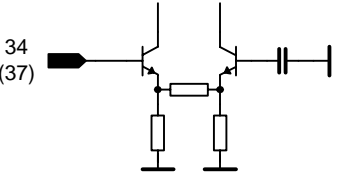
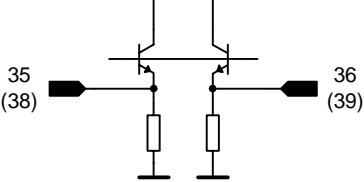
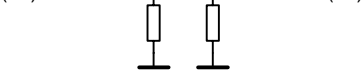
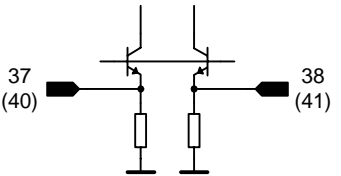
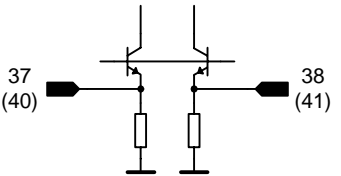
**Functional Description**

Pin No.		Symbol	Equivalent I/O Schematic  pin designation in parenthesis refer to VQFN-48 package	Average DC voltage		
TSS OP-38	VQ FN-48			LOW	MID	HIGH
23/ 16	23	AS		n.a.	n.a.	n.a.
24/ 15	25	SCL		n.a.	n.a.	n.a.
25/ 14	26	SDA		n.a.	n.a.	n.a.
26/ 13	27	GND	ground	0.0	0.0	0.0

**Functional Description**

Pin No.		Symbol	Equivalent I/O Schematic  pin designation in parenthesis refer to VQFN-48 package	Average DC voltage		
TSS OP- 38	VQ FN- 48			LOW	MID	HIGH
27/ 12	28	AGC		3.5 V	3.5 V	3.5 V
28/ 11	29	P2		n.a.	n.a.	0 V or $V_{CC} - V_{CE}$
29/ 10	31	IFIN		n.a.	n.a.	n.a.
30/9	32	IFIN		n.a.	n.a.	n.a.
31/8	33	MIXOUT		4.0 V	4.0 V	4.0 V
32/7	34	MIXOUT		4.0 V	4.0 V	4.0 V
33/6	35	RF GND	RF ground	0.0 V	0.0 V	0.0 V

Functional Description

Pin No.		Symbol	Equivalent I/O Schematic  pin designation in parenthesis refer to VQFN-48 package	Average DC voltage		
TSS OP- 38	VQ FN- 48			LOW	MID	HIGH
34/5	37	LOWIN		1.9 V		
35/4	38	MIDIN			0.75 V	
36/3	39	MIDIN			0.75 V	
37/2	40	HIGHIN				0.75 V
38/1	41	HIGHIN				0.75 V

### 2.3 Functional Block Diagram

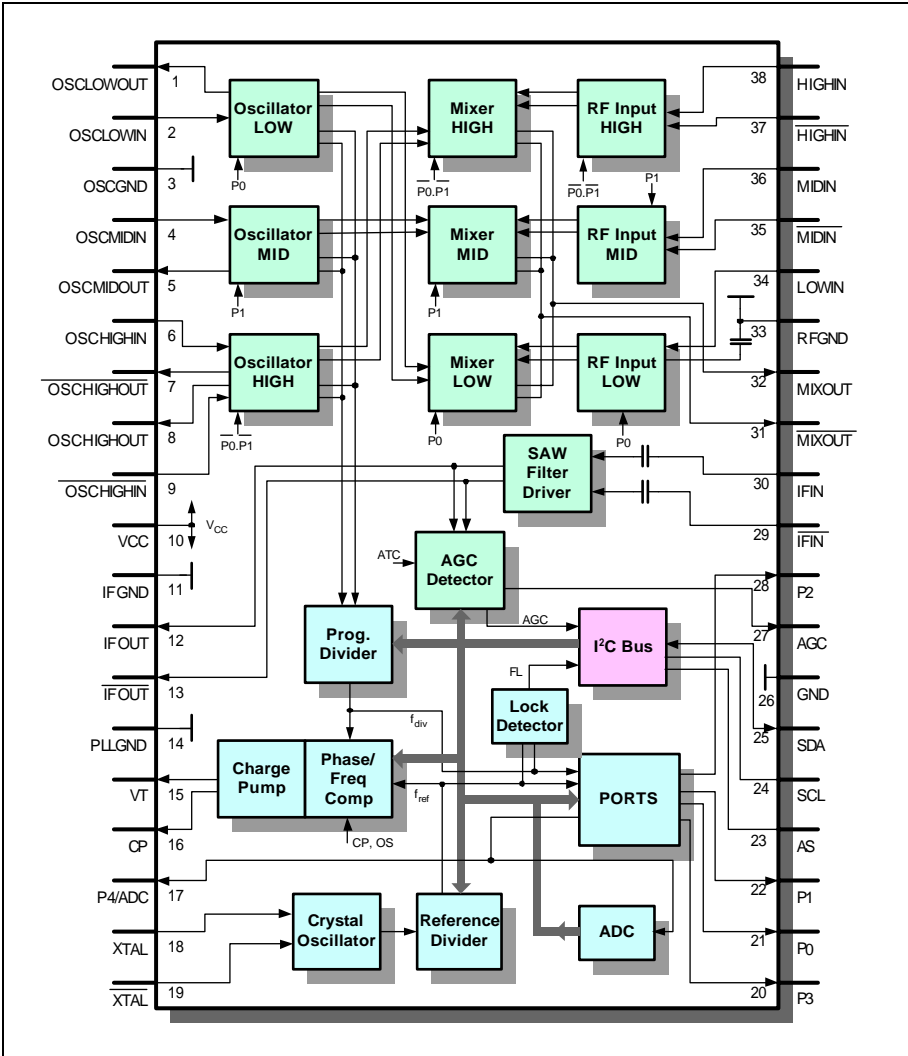
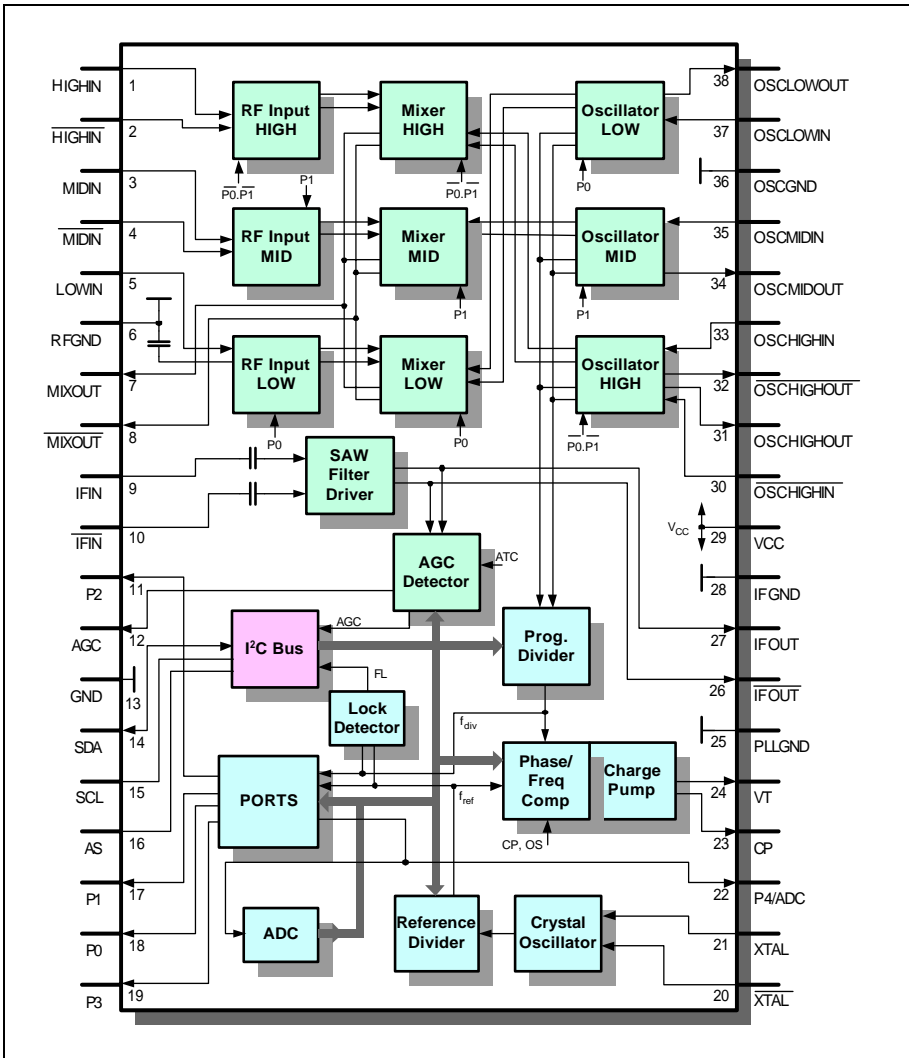


Figure 4 Block Diagram TUA6034 in TSSOP-38 Package

**Functional Description**

**Figure 5 Block Diagram TUA6036 in TSSOP-38 Package**

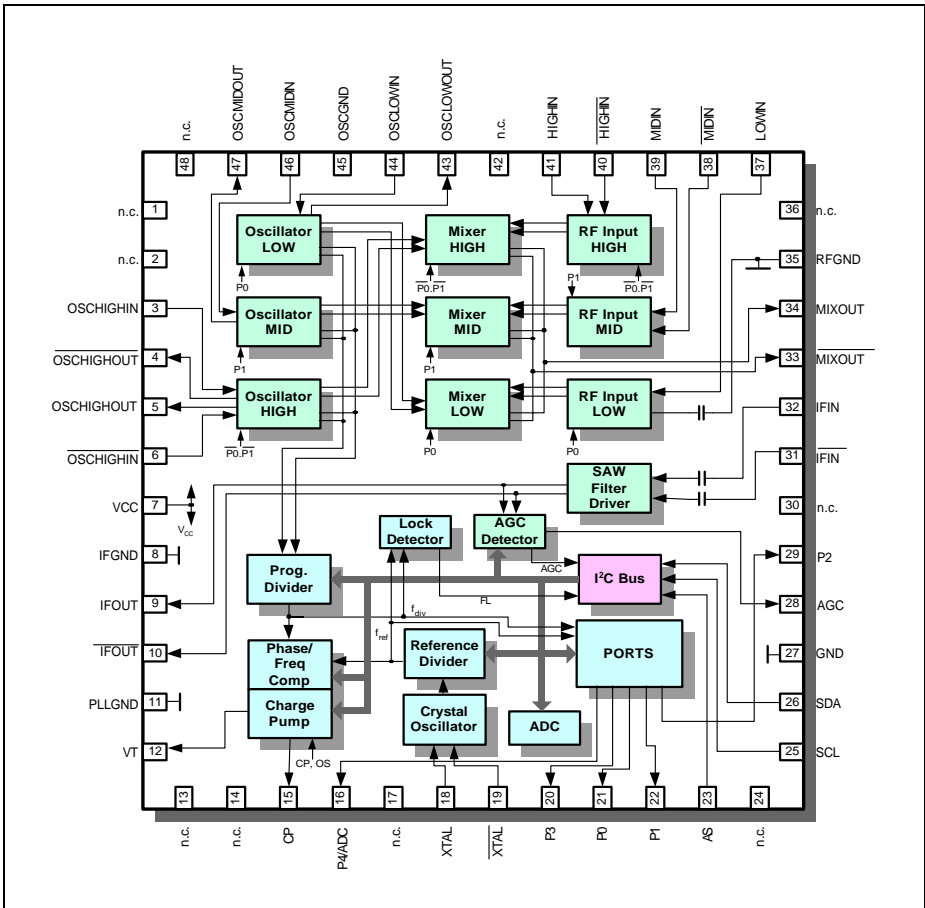


Figure 6 Block Diagram TUA6034 in VQFN-48 package

## 2.4 Circuit Description

### 2.4.1 Mixer-Oscillator block

The mixer-oscillator block includes three balanced mixers (one mixer with an unbalanced high-impedance input and two mixers with a balanced low-impedance input), two 2-pin asymmetrical oscillators for the LOW and the MID band, one 4-pin symmetrical oscillator for the HIGH band, an IF amplifier, a reference voltage, and a band switch.

Filters between tuner input and IC separate the TV frequency signals into three bands. The band switching in the tuner front-end is done by using three PNP port outputs. In the selected band the signal passes a tuner input stage with a MOSFET amplifier, a double-tuned bandpass filter and is then fed to the mixer input of the IC which has in case of LOW band a high-impedance input and in case of MID or HIGH band a low-impedance input. The input signal is mixed there with the signal from the activated on-chip oscillator to the IF frequency. The IF is filtered by means of an IF filter in between the 2 mixer output pins and the 2 input pins of the following IF amplifier. The IF amplifier has a low output impedance to drive the SAW filter directly.

### 2.4.2 PLL block

The oscillator signal is internally DC-coupled as a differential signal to the programmable divider inputs. The signal subsequently passes through a programmable divider with ratio  $N = 256$  through 32767 and is then compared in a digital frequency/phase detector with a reference frequency  $f_{ref} = 31.25, 50, 62.5, 125, 142.86$  or  $166.67$  kHz. This frequency is derived from a balanced, low-impedance 4 MHz crystal oscillator (pins XTAL,  $\overline{XTAL}$ ) divided by 128, 80, 64, 32, 28 or 24. The reference frequencies will be different with a quartz other than 4 MHz.

The phase detector has two outputs which drive four current sources of a charge pump. If the negative edge of the divided VCO signal appears prior to the negative edge of the reference signal, the positive current source pulses for the duration of the phase difference. In the reverse case the negative current source pulses. If the two signals are in phase, the charge pump output (CP) goes into the high-impedance state (PLL is locked). An active low-pass filter integrates the current pulses to generate the tuning voltage for the VCO (internal amplifier, external pull-up resistor at VT and external RC circuitry). The charge pump output is also switched into the high-impedance state if the control bits T2, T1, T0 = 0, 1, 0. Here it should be noted, however, that the tuning voltage can alter over a long period in the high impedance state as a result of self discharge in the peripheral circuitry. VT may be switched off by the control bit OS to allow external adjustments.



---

**Functional Description**

If the VCO is not oscillating the PLL locks to a tuning voltage of 33V ( $V_{TH}$ ).

By means of control bits CP, T0, T1 and T2 the pump current can be switched between four values by software. This programmability permits alteration of the control response of the PLL in the locked-in state. In this way different VCO gains can be compensated, for example.

The software controlled ports P0 to P4 are general purpose open-collector outputs. The test bits T2, T1, T0 = 1, 0, 0 switch the test signals  $f_{div}$  (divided input signal) and  $f_{ref}$  (i.e. .4 MHz / 64) to P0 and P1 respectively.

The lock detector resets the lock flag FL if the width of the charge pump current pulses is greater than the period of the crystal oscillator (i.e. 250 ns). Hence, if  $FL = 1$ , the maximum deviation of the input frequency from the programmed frequency is given by

$$\Delta f = \pm I_P * (K_{VCO} / f_{XTAL}) * (C1+C2) / (C1*C2)$$

where  $I_P$  is the charge pump current,  $K_{VCO}$  the VCO gain,  $f_{xtal}$  the crystal oscillator frequency and  $C_1$ ,  $C_2$  the capacitances in the loop filter (see Chapter 3). As the charge pump pulses at i.e. 62.5 kHz (=  $f_{ref}$ ), it takes a maximum of 16  $\mu$ s for FL to be reset after the loop has lost lock state.

Once FL has been reset, it is set only if the charge pump pulse width is less than 250 ns for eight consecutive  $f_{ref}$  periods. Therefore it takes between 128 and 144  $\mu$ s for FL to be set after the loop regains lock.

### 2.4.3 AGC

The wide band AGC stage detects the level of the IF output signal and generates an AGC voltage for gain control of the tuners input transistors. The AGC take-over and the time constant are selectable by the I<sup>2</sup>C bus.

### 2.4.4 I<sup>2</sup>C-Bus Interface

Data is exchanged between the processor and the PLL via the I<sup>2</sup>C bus. The clock is generated by the processor (input SCL). Pin SDA functions as an input or output depending on the direction of the data (open collector, external pull-up resistor). Both inputs have a hysteresis and a low-pass characteristic, which enhance the noise immunity of the I<sup>2</sup>C bus.

The data from the processor pass through an I<sup>2</sup>C bus controller. Depending on their function the data are subsequently stored in registers. If the bus is free, both lines will be in the marking state (SDA, SCL are high). Each telegram begins with the start condition

---

**Functional Description**

and ends with the stop condition. Start condition: SDA goes low, while SCL remains high. Stop condition: SDA goes high while SCL remains high. All further information transfer takes place during SCL = low, and the data is forwarded to the control logic on the positive clock edge.

The table 'Bit Allocation' (see [Table 8 on page 46](#)) should be referred to for the following description. All telegrams are transmitted byte-by-byte, followed by a ninth clock pulse, during which the control logic returns the SDA line to low (acknowledge condition). The first byte is comprised of seven address bits. These are used by the processor to select the PLL from several peripheral components (address select). The LSB bit (R/W) determines whether data are written into (R/W = 0) or read from (R/W = 1) the PLL.

In the data portion of the telegram during a WRITE operation, the MSB bit of the first or third data byte determines whether a divider ratio or control information is to follow. In each case the second byte of the same data type has to follow the first byte. Appropriate setting of the test bits will decide whether the band-switch byte or the auxiliary byte will be transmitted (see [Table 11 on page 47](#)).

If the address byte indicates a READ operation, the PLL generates an acknowledge and then shifts out the status byte onto the SDA line. If the processor generates an acknowledge, a further status byte is output; otherwise the data line is released to allow the processor to generate a stop condition. The status word consists of three bits from the A/D converter, the lock flag and the power-on flag.

Four different chip addresses can be set by an appropriate DC level at pin AS (see [Table 10 on page 47](#)).

While the supply voltage is applied, a power-on reset circuit prevents the PLL from setting the SDA line to low, which would block the bus. The power-on reset flag POR is set at power-on and if  $V_{CC}$  falls below 3.2 V. It will be reset at the end of a READ operation.

### 3 Applications

#### 3.1 Application Circuit for ATSC

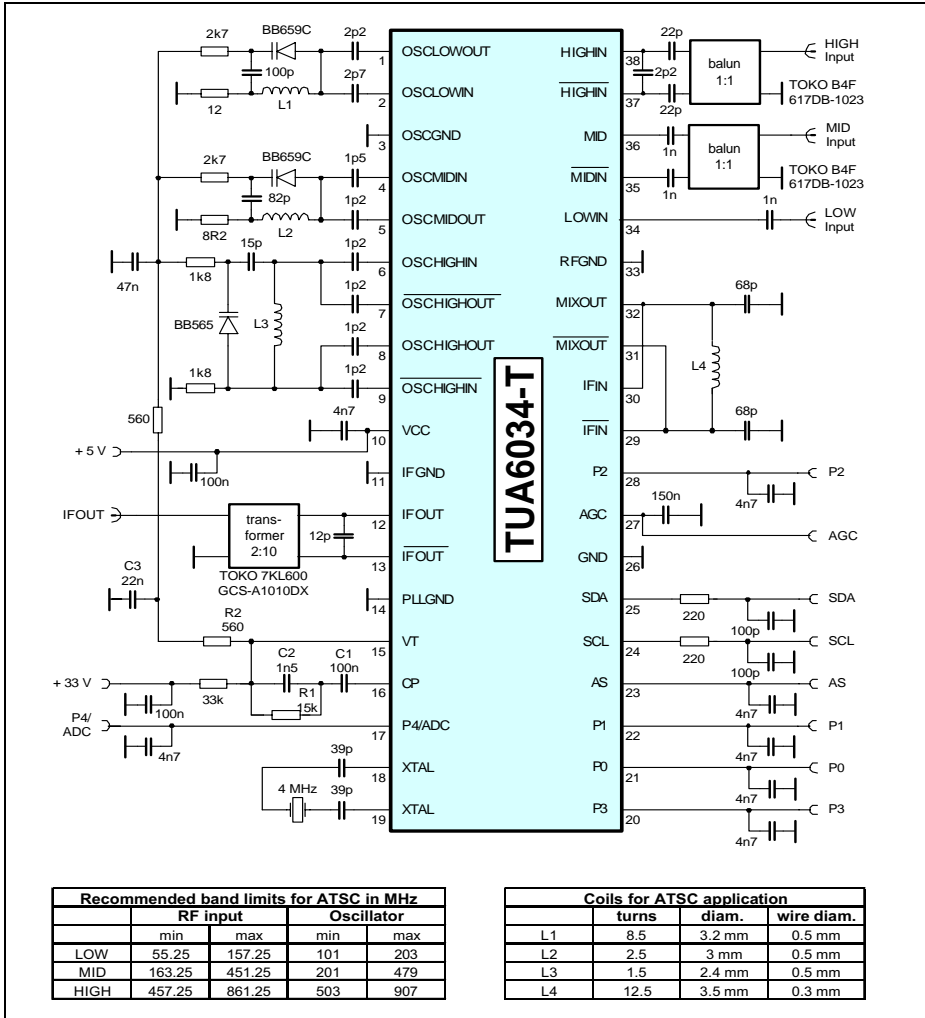


Figure 7 Application Circuit for ATSC

Remark: TUA 6036 has reversed pinning.

### 3.2 Application Circuit for DVB-T

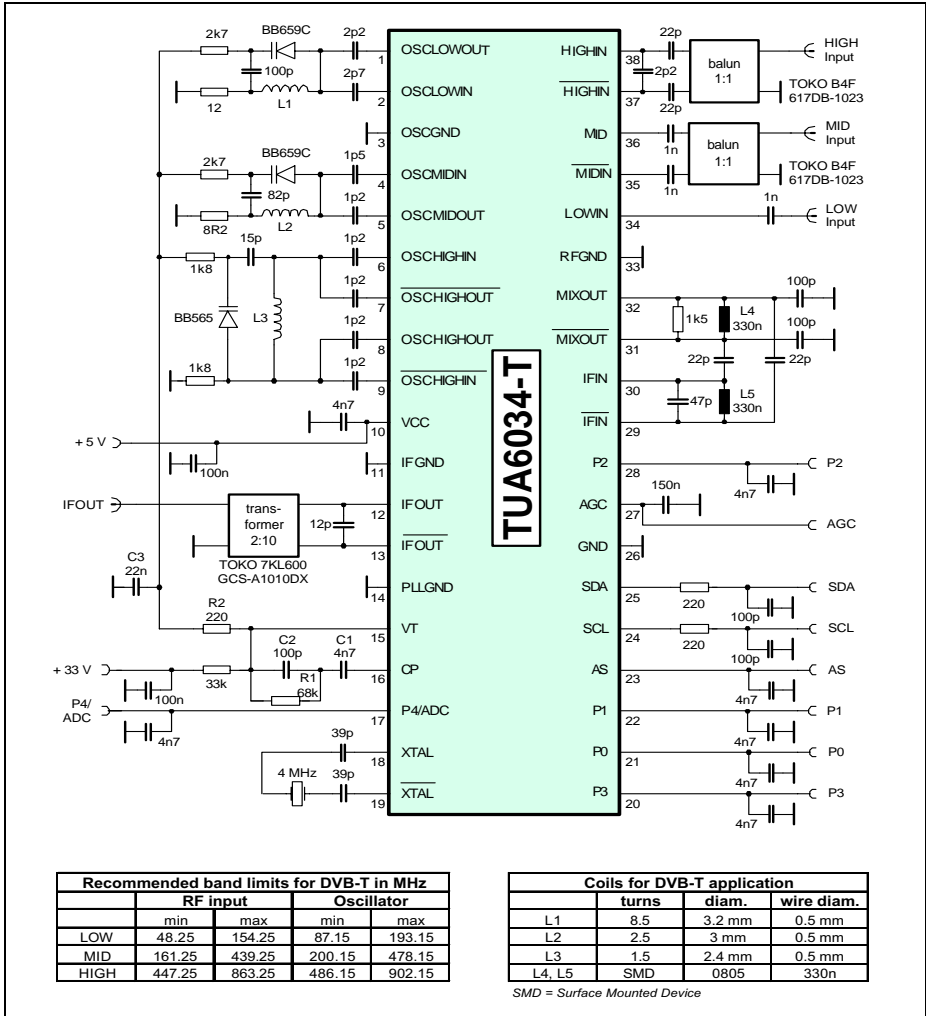


Figure 8 Application Circuit for DVB-T

Remark: TUA 6036 has reversed pinning.

### 3.3 Application Circuit for ISDB-T

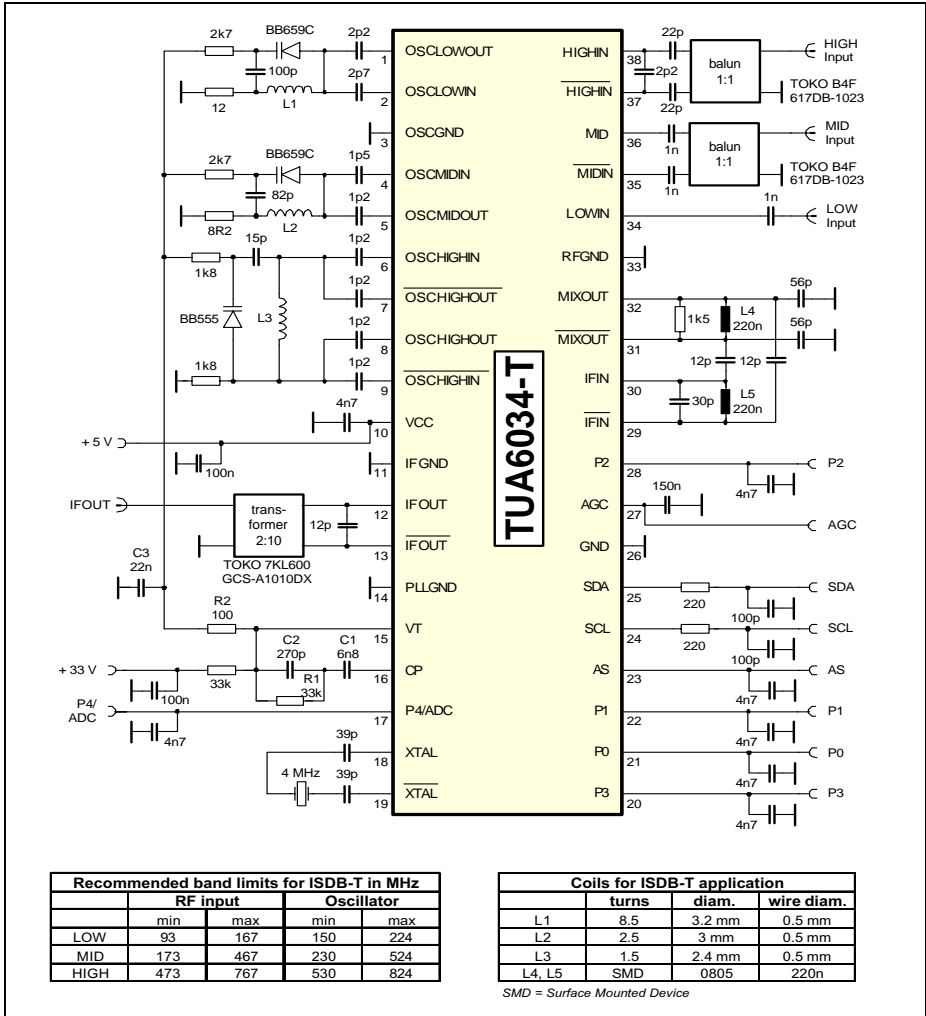


Figure 9 Application Circuit for ISDB-T

Remark: TUA 6036 has reversed pinning.

## 4 Reference

### 4.1 Electrical Data

#### 4.1.1 Absolute Maximum Ratings

**Attention:** *The maximum ratings may not be exceeded under any circumstances, not even momentarily and individually, as permanent damage to the IC will result.*

**Table 5 Absolute Maximum Ratings**

#	Parameter <sup>1)</sup>	Symbol	Limit Values		Unit	Remarks
			min.	max.		
1.	Supply voltage	$V_{CC}$	-0.3	6	V	
2.	Ambient temperature	$T_A$	-40	$T_{Amax}^{2)}$	°C	
3.	Junction temperature	$T_J$		+125	°C	
4.	Storage temperature	$T_{Stg}$	-40	+125	°C	
5.	Temperature difference junction to case <sup>3)</sup>	$T_{JC}$		2	K	
PLL						
6.	CP	$V_{CP}$	-0.3	3	V	
7.		$I_{CP}$		1	mA	
8.	Crystal oscillator pin XTAL	$V_Q$		6	V	
9.		$I_Q$	-5		mA	
10.	Bus input/output SDA	$V_{SDA}$	-0.3	6	V	
11.	Bus output current SDA	$I_{SDA(L)}$		10	mA	open collector
12.	Bus input SCL	$V_{SCL}$	-0.3	6	V	
13.	Chip address switch AS	$V_{AS}$	-0.3	6	V	
14.	VCO tuning output (loop filter)	$V_{VT}$	-0.3	35	V	
15.	NPN port output voltage of P4	$V_{P4}$	-0.3	6	V	open collector

#	Parameter <sup>1)</sup>	Symbol	Limit Values		Unit	Remarks
			min.	max.		
16.	NPN port output current of P4	$I_{P4(L)}$	-1	10	mA	open collector, $t_{max} = 0.1$ s at 5.5 V
17.	P4/ADC input/output voltage	$V_{P4/ADC}$	-0.3	6	V	
18.	NPN port output current of P4	$I_{P4/ADC(L)}$	-1	10	mA	open collector, $t_{max} = 0.1$ s at 5.5 V
19.	PNP port output voltage of P0, P1, P2, P3	$V_{P0, 1, 2, 3}$	-0.3	6	V	open collector
20.	PNP port output current of P1	$I_{P1(L)}$	+1	-25	mA	open collector, $t_{max} = 0.1$ s at 5.5 V
21.	PNP port output current of P0	$I_{P0(L)}$	+1	-10	mA	open collector, $t_{max} = 0.1$ s at 5.5 V
22.	PNP port output current of P2, P3	$I_{P2, 3(L)}$	+1	-5	mA	open collector, $t_{max} = 0.1$ s at 5.5 V
23.	Total port output current of PNP ports	$\Sigma I_{P(L)}$		-40	mA	$t_{max} = 0.1$ s at 5.5 V

**Mixer-Oscillator**

24.	Mix inputs LOW band	$V_{LOW}$	-0.3	3	V	
25.	Mix inputs MID/HIGH band	$V_{MID/HIGH}$		2	V	
26.		$I_{MID/HIGH}$	-5	6	mA	
27.	VCO base voltage	$V_B$	-0.3	3	V	LOW, MID and HIGH band oscillators
28.	VCO collector voltage	$V_C$		6	V	LOW, MID and HIGH band oscillators

**ESD-Protection<sup>4)</sup>**

29.	all pins	$V_{ESD}$		2	kV	
-----	----------	-----------	--	---	----	--

1) All values are referred to ground (pin), unless stated otherwise.

Currents with a positive sign flow into the pin and currents with a negative sign flow out of pin.

- 2) The maximum ambient temperature depends on the mounting conditions of the package. Any application mounting must guarantee not to exceed the maximum junction temperature of 125 °C. As reference the temperature difference junction to case is given.
- 3) Referred to top center of package.
- 4) According to EIA/JESD22-A114-B (HBM incircuit test), as a single device incircuit contact discharge test.

## 4.1.2 Operating Range

**Table 6 Operating Range**

#	Parameter	Symbol	Limit Values		Unit	Remarks
			min.	max.		
1.	Supply voltage	$V_{CC}$	+4.5	+5.5	V	
2.	Programmable divider factor	N	256	32767		
3.	LOW mixer input frequency range	$f_{MIXV}$	30	200	MHz	
4.	MID and HIGH band mixer input frequency range	$f_{MIXU}$	130	900	MHz	
5.	LOW oscillator frequency range	$f_{OH}$	65	250	MHz	
6.	MID band oscillator frequency range	$f_{OU}$	165	530	MHz	
7.	HIGH band oscillator frequency range	$f_{OU}$	400	950	MHz	
8.	Ambient temperature	$T_A$	-20	$T_{Amax}^{1)}$	°C	

1) see 4.1.1 Absolute Maximum Ratings on page 30.



**4.1.3 AC/DC Characteristics**
**Table 7 AC/DC Characteristics,  $T_A = 25^\circ\text{C}$ ,  $V_{CC} = 5\text{V}$** 

#	Parameter	Symbol	Limit Values			Unit	Test Conditions	■
			min.	typ.	max.			
Supply								
1.	Supply voltage	$V_{CC}$	4.5	5	5.5	V		
2.	Current consumption in active mode	$I_{VCC}$	59	74	89	mA	LOW band	
3.		$I_{VCC}$	59	74	89	mA	MID band	
4.		$I_{VCC}$	57	71	85	mA	HIGH band	
5.	Current consumption in stand-by mode	$I_{stby}$		20		mA	P0, P1 = 1	

**Digital Part**
**PLL**
**Crystal oscillator connections XTAL**

6.	Crystal frequency	$f_{XTAL}$	3.2	4.0	4.8	MHz	series resonance	
7.	Crystal resistance	$R_{XTAL}$		30	300	$\Omega$	series resonance	
8.	Oscillation frequency	$f_{XTAL}$	3,9997 5	4,000	4,0002 5	MHz	$f_{XTAL} = 4\text{ MHz}$	
9.	Input impedance	$Z_{XTAL}$		-650	-500	$\Omega$	$f_{XTAL} = 4\text{ MHz}$	

**Charge pump output CP**

10.	Output current, see Table 15 Charge pump current on page 49	$I_{CPDH}$	$\pm 430$	$\pm 650$	$\pm 860$	$\mu\text{A}$	$V_{CP} = 1.8\text{ V}$	
11.		$I_{CPH}$	$\pm 180$	$\pm 250$	$\pm 360$	$\mu\text{A}$	$V_{CP} = 1.8\text{ V}$	
12.		$I_{CPDL}$	$\pm 90$	$\pm 125$	$\pm 180$	$\mu\text{A}$	$V_{CP} = 1.8\text{ V}$	
13.		$I_{CPL}$	$\pm 35$	$\pm 50$	$\pm 70$	$\mu\text{A}$	$V_{CP} = 1.8\text{ V}$	
14.	Tristate current	$I_{CPZ}$		$\pm 1$		nA	T2, T1, T0 = 0,1,0, $V_{CP} = 2\text{ V}$	
15.	Output voltage	$V_{CP}$	1.0		2.5	V	loop locked	

**Tuning voltage output VT (open collector)**

16.	Leakage current	$I_{TH}$			10	$\mu\text{A}$	$V_{TH} = 33\text{ V}$ , OS = 1	
-----	-----------------	----------	--	--	----	---------------	---------------------------------	--

#	Parameter	Symbol	Limit Values			Unit	Test Conditions	■
			min.	typ.	max.			
17.	Output voltage when the loop is closed, (test mode in normal operation)	$V_{TL}$	0.4		32.7	V	OS = 0, $R_{Load} = 33\text{ k}\Omega$ , tuning supply = 33 V	

**I<sup>2</sup>C-Bus**
**Bus inputs SCL, SDA**

18.	High-level input voltage	$V_{IH}$	2.3		5.5	V		
19.	Low-level input voltage	$V_{IL}$	0		1.5	V		
20.	High-level input current	$I_{IH}$			10	$\mu\text{A}$	$V_{bus} = 5.5\text{ V}$ , $V_{CC} = 0\text{ V}$	
21.		$I_{IH}$			10	$\mu\text{A}$	$V_{bus} = 5.5\text{ V}$ , $V_{CC} = 5.5\text{ V}$	
22.	Low-level input current	$I_{IL}$			10	$\mu\text{A}$	$V_{bus} = 1.5\text{ V}$ , $V_{CC} = 0\text{ V}$	
23.		$I_{IL}$	-10			$\mu\text{A}$	$V_{bus} = 0\text{ V}$ , $V_{CC} = 5.5\text{ V}$	

**Bus output SDA (open collector)**

24.	Leakage current	$I_{OH}$			10	$\mu\text{A}$	$V_{OH} = 5.5\text{ V}$	
25.	Low-level output voltage	$V_{OL}$			0.4	V	$I_{OL} = 3\text{ mA}$	

**Edge speed SCL, SDA**

26.	Rise time	$t_r$			300	ns		
27.	Fall time	$t_f$			300	ns		

**Clock timing SCL**

28.	Frequency	$f_{SCL}$	0	100	400	kHz		
29.	High pulse width	$t_H$	0.6			$\mu\text{s}$		
30.	Low pulse width	$t_L$	1.3			$\mu\text{s}$		

**Start condition**

31.	Set-up time	$t_{susta}$	0.6			$\mu\text{s}$		
-----	-------------	-------------	-----	--	--	---------------	--	--

#	Parameter	Symbol	Limit Values			Unit	Test Conditions	■
			min.	typ.	max.			
32.	Hold time	$t_{hsta}$	0.6			$\mu s$		
Stop condition								
33.	Set up time	$t_{susto}$	0.6			$\mu s$		
34.	Bus free	$t_{buf}$	1.3			$\mu s$		
Data transfer								
35.	Set-up time	$t_{sudat}$	0.1			$\mu s$		
36.	Hold time	$t_{hdat}$	0			$\mu s$		
37.	Input hysteresis SCL, SDA	$V_{hys}$		200		mV		
38.	Pulse width of spikes which are suppressed	$t_{sp}$	0		50	ns		
39.	Capacitive load for each bus line	$C_L$			400	pF		
PNP port outputs P0, P1, P2, P3 (open collector)								
40.	Port output voltage	$V_{POH0to3}$		0.05	0.4	V	$I_{POLH0to3} = 0$ mA, port disabled	
41.	Output saturation voltage port 0	$V_{PL0} =$ $V_{CC} -$ $V_{CESat0}$		0.25	0.4	V	$I_{POL0} = 10$ mA, port enabled	
42.	Output saturation voltage port 1	$V_{PL1} =$ $V_{CC} -$ $V_{CESat1}$		0.25	0.4	V	$I_{POL1} = 15$ mA port enabled	
43.	Output saturation voltage ports 2, 3	$V_{PL2,3} =$ $V_{CC} -$ $V_{CESat2,3}$		0.25	0.4	V	$I_{POL2,3} = 5$ mA port enabled	
NPN port output P4 (open collector)								
44.	Output leakage current	$I_{POH4}$			10	$\mu A$	$V_{CC} = 5.5,$ $V_{Pn4} = 6$ V	
45.	Output saturation voltage	$V_{PL04}$		0.25	0.4	V	$I_{POL4} = 5$ mA	
ADC input								
46.	ADC input voltage	$V_{ADC}$	0		5.5	V		

#	Parameter	Symbol	Limit Values			Unit	Test Conditions	■
			min.	typ.	max.			
47.	High-level input current	$I_{ADCH}$			10	$\mu\text{A}$		
48.	Low-level input current	$I_{ADCL}$	-10			$\mu\text{A}$		
Address selection input AS								
49.	High-level input current	$I_{ASH}$			50	$\mu\text{A}$	$V_{ASH} = 5.5 \text{ V}$	
50.	Low-level input current	$I_{ASL}$	-50			$\mu\text{A}$	$V_{ASL} = 0 \text{ V}$	

**Analog Part**
**LOW band mixer mode ( $P_0 = 1, P_1 = 0$ , including IF amplifier)**

51.	RF frequency	$f_{RF}$	44.25		170.25	MHz	picture carrier <sup>1)</sup>	
52.	Voltage gain	$G_V$	23.5	26	28.5	dB	$f_{RF} = 44.25 \text{ MHz}$ , <a href="#">see 4.5.1 on page 55</a>	
53.		$G_V$	23.5	26	28.5	dB	$f_{RF} = 170.25 \text{ MHz}$ , <a href="#">see 4.5.1 on page 55</a>	
54.	Noise figure	NF		8	10	dB	$f_{RF} = 50 \text{ MHz}$ , <a href="#">see 4.5.4 on page 56</a> <a href="#">see 4.5.3 on page 56</a>	
55.		NF		8	10	dB	$f_{RF} = 150 \text{ MHz}$ , <a href="#">see 4.5.4 on page 56</a> <a href="#">see 4.5.3 on page 56</a>	
56.	Output voltage causing 0.8% of crossmodulation in channel	$V_o$		113		$\text{dB}\mu\text{V}$	$f_{RF} = 48.25 \text{ MHz}$ , <a href="#">see 4.5.6 on page 57</a>	
57.		$V_o$		113		$\text{dB}\mu\text{V}$	$f_{RF} = 154.25 \text{ MHz}$ , <a href="#">see 4.5.6 on page 57</a>	
58.	Input IP2	IIP2		160		$\text{dB}\mu\text{V}$	$f_{RF1} = 48.25 \text{ MHz}$ $f_{RF2} = 97.50 \text{ MHz}$ , $P_{RF1} = P_{RF2}$	
59.		IIP2		145		$\text{dB}\mu\text{V}$	$f_{RF1} = 154.25 \text{ MHz}$ $f_{RF2} = 309.50 \text{ MHz}$ , $P_{RF1} = P_{RF2}$	

#	Parameter	Symbol	Limit Values			Unit	Test Conditions	■
			min.	typ.	max.			
60.	Input IP3	IIP3		118		dBμV	$f_{RF1} = 48.25 \text{ MHz}$ $f_{RF2} = 49.25 \text{ MHz}$ $P_{RF1} = P_{RF2}$	
61.		IIP3		117		dBμV	$f_{RF1} = 154.25 \text{ MHz}$ $f_{RF2} = 155.25 \text{ MHz}$ , $P_{RF1} = P_{RF2}$	
62.	Output voltage causing 1 dB compression	$V_o$		124		dBμV	$f_{RF} = 48.25 \text{ MHz}$	
63.		$V_o$		124		dBμV	$f_{RF} = 154.25 \text{ MHz}$	
64.	Output voltage causing 1.1 kHz incidental FM	$V_o$	108	111		dBμV	$f_{RF} = 48.25 \text{ MHz}^{2)}$	
65.		$V_o$	108	111		dBμV	$f_{RF} = 154.25 \text{ MHz}^{2)}$	
66.	Local oscillator FM caused by I <sup>2</sup> C communication	FM <sub>I2C</sub>			2.12	kHz	$f_{RF} = 154.25 \text{ MHz}^{3)}$	
67.	750 Hz Pulling	$V_i$	88			dBμV	$f_{RF} = 154.25 \text{ MHz}^{4)}$	
68.	Channel S02 beat	INT <sub>S02</sub>	57	60		dBc	$P_{RF} = 115 \text{ dBμV}$ at IF output <sup>5)</sup>	
69.	Channel A-5 beat	INT <sub>A-5</sub>	57	60		dBc	$P_{RF} = 115 \text{ dBμV}$ at IF output <sup>6)</sup>	
70.	Channel CH6 color beat	INT <sub>CH6</sub>	63	66		dBc	$P_{RF1} = P_{RF2} = 80 \text{ dBμV}^{7)}$	
71.	RF input level without lock-out	$V_i$			120	dBμV	<sup>8)</sup>	
72.	Input conductance $Y_i = (g_p + j\omega C_p)$	$g_p$		0.15		mS	$f_{RF} = 48.25 \text{ to } 154.25 \text{ MHz}$ , <a href="#">see 4.4.1 on page 52</a>	
73.	Input capacitance	$C_p$		1		pF	$f_{RF} = 48.25 \text{ to } 154.25 \text{ MHz}$ , <a href="#">see 4.4.1 on page 52</a>	
Mid band mixer mode (P0 = 0, P1 =1, including IF amplifier)								
74.	RF frequency	$f_{RF}$	154.25		454.25	MHz	picture carrier <sup>1.)</sup>	

#	Parameter	Symbol	Limit Values			Unit	Test Conditions	■
			min.	typ.	max.			
75.	Voltage gain	$G_V$	33	36	39	dB	$f_{RF} = 161.25$ MHz, <a href="#">see 4.5.2 on page 55</a>	
76.		$G_V$	33	36	39	dB	$f_{RF} = 439.25$ MHz, <a href="#">see 4.5.2 on page 55</a>	
77.	Noise figure (not corrected for image)	NF		6	8	dB	$f_{RF} = 161.25$ MHz, <a href="#">see 4.5.5 on page 57</a>	
78.		NF		6	8	dB	$f_{RF} = 300$ MHz, <a href="#">see 4.5.5 on page 57</a>	
79.	Output voltage causing 0.8% of crossmodulation in channel	$V_o$		112		dB $\mu$ V	$f_{RF} = 161.25$ MHz, <a href="#">see 4.5.7 on page 58</a>	
80.		$V_o$		112		dB $\mu$ V	$f_{RF} = 439.25$ MHz, <a href="#">see 4.5.7 on page 58</a>	
81.	Input IP2	IIP2		146		dB $\mu$ V	$f_{RF1} = 161.25$ MHz $f_{RF2} = 323.50$ MHz, $P_{RF1} = P_{RF2}$	
82.		IIP2		140		dB $\mu$ V	$f_{RF1} = 440.25$ MHz $f_{RF2} = 818.50$ MHz, $P_{RF1} = P_{RF2}$	
83.	Input IP3	IIP3		105		dB $\mu$ V	$f_{RF1} = 161.25$ MHz $f_{RF2} = 162.25$ MHz $P_{RF1} = P_{RF2}$	
84.		IIP3		106		dB $\mu$ V	$f_{RF1} = 439.25$ MHz $f_{RF2} = 440.25$ MHz $P_{RF1} = P_{RF2}$	
85.	Output voltage causing 1 dB compression	$V_o$		124		dB $\mu$ V	$f_{RF} = 161.25$ MHz	
86.		$V_o$		124		dB $\mu$ V	$f_{RF} = 439.25$ MHz	
87.	Output voltage causing 1.1 kHz incidental FM	$V_o$	108	111		dB $\mu$ V	$f_{RF} = 161.25$ MHz 2.)	
88.		$V_o$	108	111		dB $\mu$ V	$f_{RF} = 439.25$ MHz 2.)	
89.	Local oscillator FM caused by I <sup>2</sup> C communication	FM <sub>I2C</sub>			2.12	kHz	$f_{RF} = 439.25$ MHz 3.)	

#	Parameter	Symbol	Limit Values			Unit	Test Conditions	■
			min.	typ.	max.			
90.	N+5 - 1 MHz pulling	N+5 - 1 MHz	77	80		dB $\mu$ V	$f_{RFW} = 359.25$ MHz, $f_{OSC} = 398.15$ MHz, $f_{RFu} = 399.25$ MHz 9)	
91.	750 Hz Pulling	$V_i$	78			dB $\mu$ V	$f_{RF} = 439.25$ MHz 4.)	
92.	RF input level without lock-out	$V_i$			120	dB $\mu$ V	8.)	
93.	Input impedance $Z_i = (R_s + j\omega L_s)$	$R_s$		35		$\Omega$	$f_{RF} = 161.25$ MHz, <a href="#">see 4.4.2 on page 52</a>	
94.		$R_s$		35		$\Omega$	$f_{RF} = 439.25$ MHz, <a href="#">see 4.4.2 on page 52</a>	
95.		$L_s$		8		nH	$f_{RF} = 161.25$ MHz, <a href="#">see 4.4.2 on page 52</a>	
96.		$L_s$		8		nH	$f_{RF} = 439.25$ MHz, <a href="#">see 4.4.2 on page 52</a>	
HIGH band mixer mode (P0 = 0, P1 = 0, including IF amplifier)								
97.	RF frequency	$f_{RF}$	399.25		863.25	MHz	picture carrier <sup>1.)</sup>	
98.	Voltage gain	$G_V$	33	36	39	dB	$f_{RF} = 447.25$ MHz, <a href="#">see 4.5.2 on page 55</a>	
99.		$G_V$	33	36	39	dB	$f_{RF} = 863.25$ MHz, <a href="#">see 4.5.2 on page 55</a>	
100.	Noise figure (not corrected for image)	NF		6	8	dB	$f_{RF} = 447.25$ MHz, <a href="#">see 4.5.5 on page 57</a>	
101.		NF		7	9	dB	$f_{RF} = 863.25$ MHz, <a href="#">see 4.5.5 on page 57</a>	
102.	Output voltage causing 0.8% of crossmodulation in channel	$V_o$		112		dB $\mu$ V	$f_{RF} = 447.25$ MHz, <a href="#">see 4.5.7 on page 58</a>	
103.		$V_o$		112		dB $\mu$ V	$f_{RF} = 863.25$ MHz, <a href="#">see 4.5.7 on page 58</a>	
104.	Input IP2	IIP2		136		dB $\mu$ V	$f_{RF1} = 447.25$ MHz $f_{RF2} = 895.50$ MHz $P_{RF1} = P_{RF2}$	

#	Parameter	Symbol	Limit Values			Unit	Test Conditions	■
			min.	typ.	max.			
105.	Input IP3	IIP3		106		dB $\mu$ V	$f_{RF1} = 447.25$ MHz $f_{RF2} = 448.25$ MHz $P_{RF1} = P_{RF2}$	
106.		IIP3		106		dB $\mu$ V	$f_{RF1} = 863.25$ MHz $f_{RF2} = 864.25$ MHz $P_{RF1} = P_{RF2}$	
107.	Output voltage causing 1 dB compression	$V_o$		124		dB $\mu$ V	$f_{RF} = 447.25$ MHz	
108.		$V_o$		124		dB $\mu$ V	$f_{RF} = 863.25$ MHz	
109.	Output voltage causing 1.1 kHz incidental FM	$V_o$	108	111		dB $\mu$ V	$f_{RF} = 447.25$ MHz <sub>2.)</sub>	
110.		$V_o$	108	111		dB $\mu$ V	$f_{RF} = 454.25$ MHz <sub>2.)</sub>	
111.	Local oscillator FM caused by I <sup>2</sup> C communication	FM <sub>I2C</sub>			2.12	kHz	$f_{RF} = 863.25$ MHz <sub>3.)</sub>	
112.	N+5 - 1 MHz pulling	N+5 - 1 MHz	77	80		dB $\mu$ V	$f_{RFw} = 823.25$ MHz, $f_{OSC} = 862.15$ MHz, $f_{RFu} = 862.25$ MHz <sub>9.)</sub>	
113.	750 Hz Pulling	$V_i$	78			dB $\mu$ V	$f_{RF} = 855.25$ MHz <sub>4.)</sub>	
114.	RF input level without lock-out	$V_i$			120	dB $\mu$ V	<sub>8.)</sub>	
115.	Input impedance $Z_i = (R_s + j\omega L_s)$	$R_s$		35		$\Omega$	$f_{RF} = 407.25$ MHz, <a href="#">see 4.4.3 on page 53</a>	
116.		$R_s$		35		$\Omega$	$f_{RF} = 863.25$ MHz, <a href="#">see 4.4.3 on page 53</a>	
117.		$L_s$		8		nH	$f_{RF} = 407.25$ MHz, <a href="#">see 4.4.3 on page 53</a>	
118.		$L_s$		8		nH	$f_{RF} = 863.25$ MHz, <a href="#">see 4.4.3 on page 53</a>	

LOW band oscillator, (see Chapter 3 on page 27)

119.	Oscillator frequency	$f_{osc}$	80		210	MHz	<sup>10)</sup>	
------	----------------------	-----------	----	--	-----	-----	----------------	--



#	Parameter	Symbol	Limit Values			Unit	Test Conditions	■
			min.	typ.	max.			
120.	Oscillator frequency shift	$\Delta f_{OSC(V)}$		20	70	kHz	$\Delta V_{CC} = 5\%$ <sup>11.)</sup>	
121.		$\Delta f_{OSC(V)}$		110		kHz	$\Delta V_{CC} = 10\%$ <sup>11.)</sup>	
122.	Oscillator frequency drift	$\Delta f_{OSC(T)}$		300	500	kHz	$\Delta T = 25\text{ }^\circ\text{C}$ , with compensation <sup>12.)</sup>	
123.	Oscillator frequency drift	$\Delta f_{OSC(t)}$		150	250	kHz	5 s to 15 min after switch on <sup>13.)</sup>	
124.	Phase noise, carrier to noise sideband	$\Phi_{OSC}$	77 <sup>14.)</sup>	85		dBc/Hz	$\pm 1$ kHz frequency offset, worst case in frequency range	
125.			88 <sup>15.)</sup>	92		dBc/Hz	$\pm 10$ kHz frequency offset, worst case in frequency range	
126.			108 <sup>14.), 15.)</sup>	112		dBc/Hz	$\pm 100$ kHz frequency offset, worst case in frequency range	
127.	Ripple susceptibility of $V_P$	RSC	15	20		mV	$4.75 < V_P < 5.25\text{ V}$ , worst case in frequency range, ripple frequency 500 kHz <sup>16.)</sup>	

MID band oscillator, (see Chapter 3 on page 27)

128.	Oscillator frequency	$f_{OSC}$	201		493	MHz	<sup>10.)</sup>	
129.	Oscillator frequency shift	$\Delta f_{OSC(V)}$		20	70	kHz	$\Delta V_{CC} = 5\%$ <sup>11.)</sup>	
130.		$\Delta f_{OSC(V)}$		110		kHz	$\Delta V_{CC} = 10\%$ <sup>11.)</sup>	
131.	Oscillator frequency drift	$\Delta f_{OSC(T)}$		500	750	kHz	$\Delta T = 25\text{ }^\circ\text{C}$ ; with compensation <sup>12.)</sup>	
132.	Oscillator frequency drift	$\Delta f_{OSC(t)}$		250	500	kHz	5 s to 15 min after switch on <sup>13.)</sup>	

#	Parameter	Symbol	Limit Values			Unit	Test Conditions	■		
			min.	typ.	max.					
133.	Phase noise, carrier to noise sideband	$\Phi_{\text{OSC}}$	73 <sup>14)</sup>	80		dBc/Hz	±1 kHz frequency offset, worst case in frequency range			
134.			88 <sup>15)</sup>	92					dBc/Hz	±10 kHz frequency offset, worst case in frequency range
135.			106 <sup>14), 15)</sup>	112						
136.	Ripple susceptibility of $V_P$	RSC	15	20		mV	4.75 < $V_P$ < 5.25 V, worst case in frequency range, ripple frequency 500 kHz <sup>14.)</sup>			

**HIGH band oscillator, (see Chapter 3 on page 27)**

137.	Oscillator frequency	$f_{\text{OSC}}$	435		905	MHz	<sup>10.)</sup>			
138.	Oscillator frequency shift	$\Delta f_{\text{OSC}(V)}$		20	70	kHz	$\Delta V_{\text{CC}} = 5\%$ <sup>11.)</sup>			
139.		$\Delta f_{\text{OSC}(V)}$		300				$\Delta V_{\text{CC}} = 10\%$ <sup>11.)</sup>		
140.	Oscillator frequency drift	$\Delta f_{\text{OSC}(T)}$		600	1000	kHz	$\Delta T = 25\text{ °C}$ ; with compensation <sup>12.)</sup>			
141.	Oscillator frequency drift	$\Delta f_{\text{OSC}(t)}$		250	500	kHz	5 s to 15 min after switch on <sup>13.)</sup>			
142.	Phase noise, carrier to noise sideband	$\Phi_{\text{OSC}}$	70 <sup>14)</sup>	77		dBc/Hz	±1 kHz frequency offset, worst case in frequency range			
143.			86 <sup>15)</sup>	90					dBc/Hz	±10 kHz frequency offset, worst case in frequency range
144.			106 <sup>14), 15)</sup>	109						

#	Parameter	Symbol	Limit Values			Unit	Test Conditions	■
			min.	typ.	max.			
145.	Ripple susceptibility of $V_P$	RSC	15	20		mV	$4.75 < V_P < 5.25$ V, worst case in frequency range, ripple frequency 500 kHz <sup>14.)</sup>	

**IF amplifier**

146.	Input impedance $Z_i = (R_s + j\omega L_s)$	$R_s$		460		$\Omega$	at 36 MHz, <a href="#">see 4.4.4 on page 53</a>	
147.		$L_s$		10		nH	at 36 MHz, <a href="#">see 4.4.4 on page 53</a>	
148.	Output reflection coefficient	$S_{22}$		10		dB	magnitude, <a href="#">see 4.4.4 on page 53</a>	
149.		$S_{22}$		0.85		°	phase, <a href="#">see 4.4.4 on page 53</a>	
150.	Output impedance $Z_o = (R_s + j\omega L_s)$	$R_s$		65		$\Omega$	at 36 MHz, <a href="#">see 4.4.6 on page 54</a>	
151.		$L_s$		20		nH	at 36 MHz, <a href="#">see 4.4.6 on page 54</a>	

**Rejection at the IF outputs**

152.	Level of divider interferences in the IF signal	$INT_{DIV}$				20	$\text{dB}\mu\text{V}$	<sup>17)</sup> , worst case	
153.	Crystal oscillator interferences rejection	$INT_{XTAL}$	60	66			$\text{dBc}$	$V_{IF} = 100$ $\text{dB}\mu\text{V}$ , worst case in frequency range <sup>18)</sup>	
154.	Reference frequency rejection	$INT_{REF}$	60	66			$\text{dBc}$	$V_{IF} = 100$ $\text{dB}\mu\text{V}$ , worst case in frequency range <sup>19)</sup>	

**AGC output**

155.	AGC take-over point	$AGC_{TOP}$		112			$\text{dB}\mu\text{V}$	AL2, AL1, AL0 = 0, 1, 0	
156.	Source current 1	$I_{AGCfast}$	7.2	9.0	10.8		$\mu\text{A}$		
157.	Source current 2	$I_{AGCslow}$	210	300	390		nA		
158.	Peak sink to ground	$I_{AGCpeak}$	80	100	120		$\mu\text{A}$		

#	Parameter	Symbol	Limit Values			Unit	Test Conditions	■
			min.	typ.	max.			
159.	AGC output voltage	$V_{AGCmax}$	3.6	3.8	4.0	V	maximum level, $I_{AGC} = 9 \mu A$	
160.	AGC output voltage	$V_{AGCmin}$	0		0.25	V	minimum level	
161.	RF voltage range to switch the AGC from active to inactive mode	$AGC_{SLIP}$			0.5	dB		
162.	AGC output voltage	$AGC_{RML}$	0		2.9	V	AGC bit high or AGC active	
163.	AGC output voltage	$AGC_{RMH}$	3.3	3.8	VCC-0.5 or 4	V	AGC bit low or AGC inactive	
164.	AGC leakage current	$AGC_{LEAK}$	-50		50	nA	AL2, AL1, AL0 = 1,1,0 $0 < V_{AGC} < V_{CC}$	
165.	AGC output voltage	$AGC_{OFF}$	3.3	3.8	VCC-0.5 or 4	V	AL2, AL1, AL0 = 1,1,1 AGC is disabled	

■ This value is only guaranteed in lab.

- 1) The RF frequency range is defined by the oscillator frequency range and the intermediate frequency (IF).
- 2) This is the level of the RF unwanted signal (50% amplitude modulated with 1kHz) that causes a 1.1 kHz FM modulation of the local oscillator and thus of the wanted signal;  $V_{wanted} = 100 \text{ dB}\mu V$ ;  $f_{unwanted} = f_{wanted} + 5.5 \text{ MHz}$ .
- 3) Local oscillator FM modulation resulting from I<sup>2</sup>C communication is measured at the IF output using a modulation analyser with a peak to peak detector ( $(P_+ + P_-)/2$ ) and a post detection filter 30 Hz - 200 kHz. The I<sup>2</sup>C messages are sent to the tuner in such a way that the tuner is addressed but the content of the PLL registers are not altered. The refresh interval between each data set shall be 20 ms to 1s.
- 4) This is the level of the RF signal (100% amplitude modulated with 11.89 kHz) that causes a 750 Hz frequency deviation on the oscillator signal producing sidebands 30 dB below the level of the oscillator signal.
- 5) Channel S02 beat is the interfering product of  $f_{RFpix}$ ,  $f_{IF}$  and  $f_{OSC}$  of channel S02,  $f_{BEAT} = 37.35 \text{ MHz}$ . The possible mechanisms are  $f_{OSC} - 2 \times f_{IF}$  or  $2 \times f_{RFpix} - f_{OSC}$ .
- 6) Channel A-5 beat is the interfering product of  $f_{RFpix}$ ,  $f_{IF}$  and  $f_{OSC}$  of channel A-5;  $f_{BEAT} = 45.5 \text{ MHz}$ . The possible mechanisms are:  $f_{OSC} - 2 \times f_{IF}$  or  $2 \times f_{RFpix} - f_{OSC}$ .
- 7) Channel 6 beat is the interfering product of  $f_{RFpix} + f_{RFsnd} - f_{OSC}$  of channel 6 at 42 MHz.
- 8) The IF output signal stays stable within the range of the  $f_{ref}$  step for a low level RF input up to 120 dB $\mu V$ .
- 9) N+5 -1 MHz is defined as the input level of channel N+5, at frequency 1 MHz lower, causing FM sidebands 30 dB below the wanted carrier.

- 10) Limits are related to the tank circuit used in the application board (see Chapter 3 on page 27). Frequency bands may be adjusted by the choice of external components.
- 11) The frequency shift is defined as a change in oscillator frequency when the supply voltage varies from  $V_{CC} = 5$  to  $4.75$  V ( $4.5$  V) or from  $V_{CC} = 5$  to  $5.25$  V ( $5.5$  V). The oscillator is free running during this measurement.
- 12) The frequency drift is defined as a change in oscillator frequency if the ambient temperature varies from  $T_A = 25$  to  $50$  °C or from  $T_A = 25$  to  $0$  °C. The oscillator is free running during this measurement.
- 13) The switch-on drift is defined as a change in oscillator frequency between 5 s and 15 min after switch-on. The oscillator is free running during this measurement.
- 14) see Figure 8 Application Circuit for DVB-T on page 28.
- 15) see Figure 7 Application Circuit for ATSC on page 27.
- 16) The supply ripple susceptibility is measured in the application board (see Chapter 3 on page 27), using a spectrum analyser connected to the IF output. An unmodulated RF signal is applied to the test board RF input. A sinewave signal with a frequency of 500 kHz is superposed onto the supply voltage (see 4.5.8 on page 58). The amplitude of this ripple is adjusted to bring the 500 kHz sidebands around the IF carrier to a level of 53.5 dBc referred to the carrier.
- 17) This is the level of divider interferences close to the IF frequency. For example channel S3:  $f_{OSC} = 158.15$  MHz,  $1/4 f_{OSC} = 39.5375$  MHz. Divider interference is measured with the application board (see Chapter 3 on page 27). All ground pins are connected to a single ground plane under the IC. The LOWIN input must be left open (i.e. not connected to any load or cable). The MIDIN and HIGHIN inputs are connected to a hybrid. The measured level of divider interference are influenced by layout, grounding and port decoupling. The measurement results between various applications and the reference board could vary as much as 10 dB.
- 18) Crystal oscillator interference means the 4 MHz sidebands caused by the crystal oscillator. The rejection has to be greater than 60 dB for an IF output of 100 dB $\mu$ V.
- 19) The reference frequency rejection is the level of reference frequency sidebands (e.g. 62.5 kHz) related to the carrier. The rejection has to be greater than 60 dB for an IF output of 100 dB $\mu$ V.

## 4.2 Programming

**Table 8 Bit Allocation Read/Write**

Name	Byte	Bits								Ack
		MSB	bit6	bit5	bit4	bit3	bit2	bit1	LSB	
Write Data										
Address Byte	ADB	1	1	0	0	0	MA1	MA0	R/W=0	A
Divider Byte 1	DB1	0	N14	N13	N12	N11	N10	N9	N8	A
Divider Byte 2	DB2	N7	N6	N5	N4	N3	N2	N1	N0	A
Control byte	CB	1	CP	T2	T1	T0	RSA	RSB	OS	A
Bandswitch byte	BB				P4	P3	P2	P1	P0	A
Auxiliary byte <sup>1)</sup>	AB	ATC	AL2	AL1	AL0	0	0	0	0	A
Read data										
Address byte	ADB	1	1	0	0	0	MA1	MA0	R/W=1	A
Status byte	SB	POR	FL	1	1	AGC	A2	A1	A0	A

1) AB replaces BB when T2, T1, T0 = 0, 1, 1, see Table 11 Test modes on page 47.

**Table 9 Description of Symbols**

Symbol	Description
A	Acknowledge
MA0, MA1	Address selection bits, see Table 10 Address selection on page 47
N14 to N0	programmable divider bits: $N = 2^{14} \times N14 + 2^{13} \times N13 + \dots + 2^3 \times N3 + 2^2 \times N2 + 2^1 \times N1 + N0$
CP	charge pump current bit: bit = 0: charge pump current = 50 $\mu$ A or 125 $\mu$ A bit = 1: charge pump current = 250 $\mu$ A (default) or 650 $\mu$ A, see Table 15 Charge pump current on page 49
T0, T1, T2	test bits, see Table 11 Test modes on page 47
RSA, RSB	reference divider bits, see Table 12 Reference divider ratios on page 48
OS	tuning amplifier control bit: bit = 0: enable $V_T$ ; bit = 1: disable $V_T$ (default)
P0, P1, P2, P3	PNP ports control bits bit = 0: Port is inactive, high impedance state (default) bit = 1: Port is active, $V_{OUT} = V_{CC} - V_{CESAT}$

P4	NPN port control bit bit = 0: Port is inactive, high impedance state (default) bit = 1: Port is active, $V_{OUT} = V_{CESAT}$
ATC	AGC time constant bit bit = 0: $I_{AGC} = 300 \text{ nA}$ ; $\Delta t = 2 \text{ s}$ with $C = 160 \text{ nF}$ (default) bit = 1: $I_{AGC} = 9 \text{ }\mu\text{A}$ ; $\Delta t = 50 \text{ ms}$ with $C = 160 \text{ nF}$
AL0, AL1, AL2	AGC take-over point bits, see Table 13 AGC take-over point on page 48
POR	Power-on reset flag; POR = 1 at power-on
FL	PLL lock flag; bit = 1: loop is locked
AGC	internal AGC flag. AGC=1 when internal AGC is active (level below 3V)
A0, A1, A2	digital output of the 5-level ADC

**Table 10 Address selection**

Voltage at AS	MA1	MA0
$(0 \text{ to } 0.1) \times V_{CC}$	0	0
open circuit or $(0.2 \text{ to } 0.3) \times V_{CC}$	0	1
$(0.4 \text{ to } 0.6) \times V_{CC}$	1	0
$(0.9 \text{ to } 1) \times V_{CC}$	1	1

**Table 11 Test modes**

Mode	T2	T1	T0
Normal mode, charge pump currents 50 and 250 $\mu\text{A}$ selectable	0	0	0
Normal mode, charge pump currents 50 and 250 $\mu\text{A}$ selectable (default)	0	0	1
CP is in high-impedance state	0	1	0
byte AB will follow (otherwise byte BB will follow)	0	1	1
$P0 = f_{div}$ output, $P1 = f_{ref}$ output	1	0	0
not in use	1	0	1
Extended mode, charge pump currents 50 and 250 $\mu\text{A}$ selectable	1	1	0
Extended mode, charge pump currents 125 and 650 $\mu\text{A}$ selectable	1	1	1

**Table 12 Reference divider ratios**

Reference divider ratio	$f_{ref}^{1)}$	Mode	T2	T1	RSA	RSB
80	50 kHz	normal	0	0	0	0
128	31.25 kHz	normal	0	0	0	1
24	166.67 kHz	x	x	x	1	0
64	62.5 kHz	x	x	x	1	1
32	125 kHz	extended	1	1	0	0
28	142.86 kHz	extended	1	1	0	1

1) With a 4 MHz quartz.

**Table 13 AGC take-over point**

IF output level, symmetrical mode	Remark	AL2	AL1	AL0
115 dB $\mu$ V		0	0	0
115 dB $\mu$ V		0	0	1
112 dB $\mu$ V	default mode at POR	0	1	0
109 dB $\mu$ V		0	1	1
106 dB $\mu$ V		1	0	0
103 dB $\mu$ V		1	0	1
$I_{AGC} = 0$	External AGC <sup>1)</sup>	1	1	0
3.8 V	Disabled <sup>2)</sup>	1	1	1

1) The AGC detector is disabled. Both the sinking and sourcing current from the IC is disabled. The AGC output goes into a high impedance state and an external AGC source can be connected in parallel and will not be influenced.

2) The AGC detector is disabled and  $I_{AGC} = 9 \mu\text{A}$ .



**Table 14 A to D converter levels**

<b>Voltage at ADC</b>	<b>A2</b>	<b>A1</b>	<b>A0</b>
(0 to 0.15) * V <sub>CC</sub>	0	0	0
(0.15 to 0.3) * V <sub>CC</sub>	0	0	1
(0.3 to 0.45) * V <sub>CC</sub>	0	1	0
(0.45 to 0.6) * V <sub>CC</sub>	0	1	1
(0.6 to 1) * V <sub>CC</sub>	1	0	0

1) No erratic codes in the transition.

**Table 15 Charge pump current**

<b>Charge pump current</b>	<b>Mode</b>	<b>CP</b>	<b>T2</b>	<b>T1</b>	<b>T0</b>
50 µA	normal	0	0	0	x <sup>1)</sup>
250 µA (default)		1			x
50 µA	extended	0	1	1	0
125 µA		0			1
250 µA		1			0
650 µA		1			1

1) x = don't care.

**Table 16 Internal band selection**

<b>Band</b>	<b>Mixer</b>	<b>Oscillator</b>
LOW	P0. $\overline{P1}$ <sup>1)</sup>	P0. $\overline{P1}$
MID	P1. $\overline{P0}$	P1. $\overline{P0}$
HIGH (default)	$\overline{P0}$ . $\overline{P1}$	$\overline{P0}$ . $\overline{P1}$
Stand-by mode	P0, P1	P0, P1

1) Means: (P0 AND NOT P1); that is: LOW mixer is switched on if (P0=1 and P1=0).

**Table 17 Defaults at power-on reset**

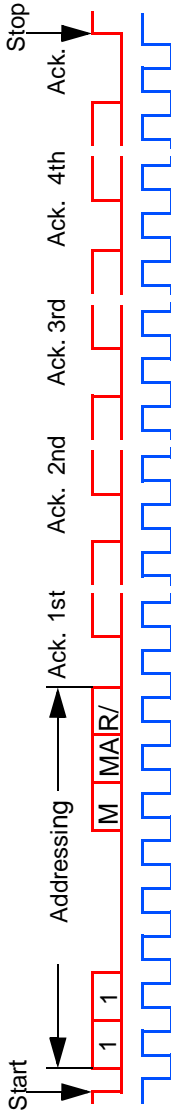
Name	Byte	Bits							
		MSB	bit6	bit5	bit4	bit3	bit2	bit1	LSB
Write Data									
Address Byte	ADB	1	1	0	0	0	MA1	MA0	R/W=0
Divider byte 1	DB1	0	x <sup>1)</sup>	x	x	x	x	x	x
Divider byte 2	DB2	x	x	x	x	x	x	x	x
Control byte	CB	1	1	0	0	1	x	x	1
Bandswitch byte	BB	0	0	0	0	0	0	0	0
Auxiliary byte	AB	0	0	1	0				

1) x = don't care.

**Table 18 Description of modes**

Mode	Description
normal	Reference divider ratios 24, 64, <b>80</b> , <b>128</b> selectable. Charge pump currents 50, 250 $\mu$ A selectable. Auxiliary byte to follow Control byte (T2=0, T1=1, T0=1), otherwise Bandswitch byte to follow Control byte.
extended	Reference divider ratios 24, <b>28</b> , <b>32</b> , 64 selectable. Charge pump currents 50, <b>125</b> , 250, <b>650</b> $\mu$ A selectable. Auxiliary byte to follow Control byte (T2=0, T1=1, T0=1), otherwise Bandswitch byte to follow Control byte.

### 4.3 I<sup>2</sup>C Bus Timing Diagram



Note: — SCL — SDA

#### Telegram examples:

- Start-ADB-DB1-DB2-CB-BB-Stop
- Start-ADB-DB1-DB2-CB-AB-Stop
- Start-ADB-CB-BB-DB1-DB2-Stop
- Start-ADB-CB-AB-DB1-DB2-Stop
- Start-ADB-DB1-DB2-Stop
- Start-ADB-CB-BB-Stop
- Start-ADB-CB-AB-Stop

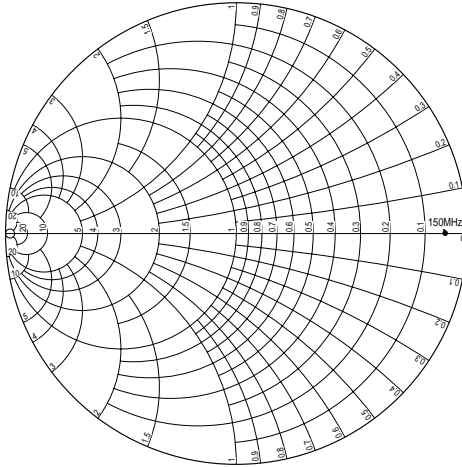
#### Abbreviations:

- Start= start condition
- ADB= address byte
- DB1= prog. divider byte 1
- DB2= prog. divider byte 2
- CB= Control byte
- BB= Bandswitch byte
- AB= Auxiliary byte
- Stop= stop condition

#### 4.4 Electrical Diagrams

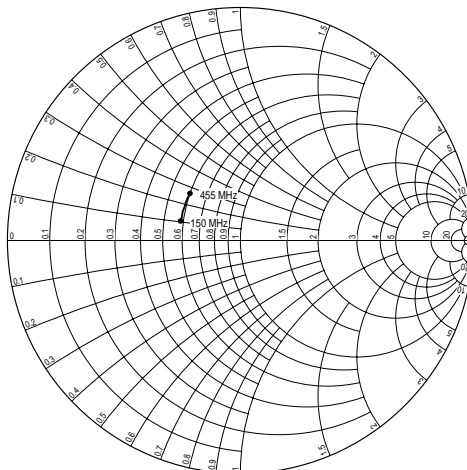
##### 4.4.1 Input admittance (S11) of the LOW band mixer (40 to 150 MHz)

$Y_0 = 20\text{mS}$



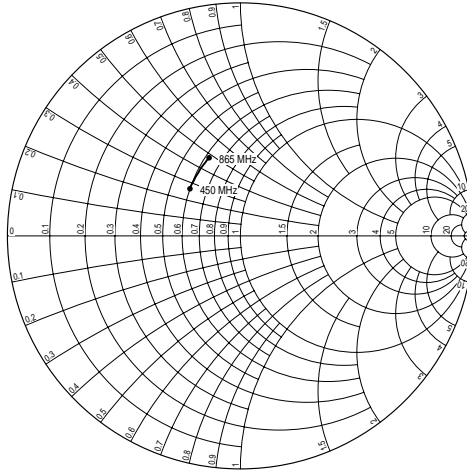
##### 4.4.2 Input impedance (S11) of the MID band mixer (150 to 455 MHz)

$Z_0 = 50 \Omega$



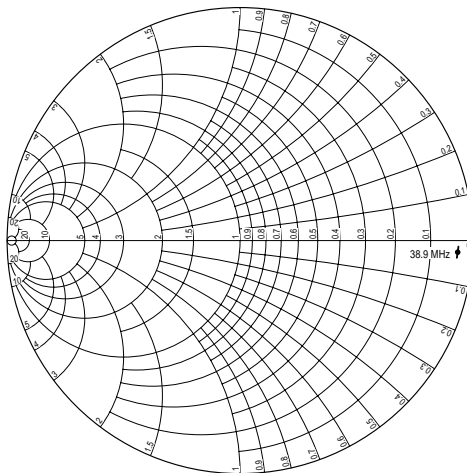
**4.4.3 Input impedance (S11) of the HIGH band mixer (450 to 865 MHz)**

$Z_0 = 50 \Omega$



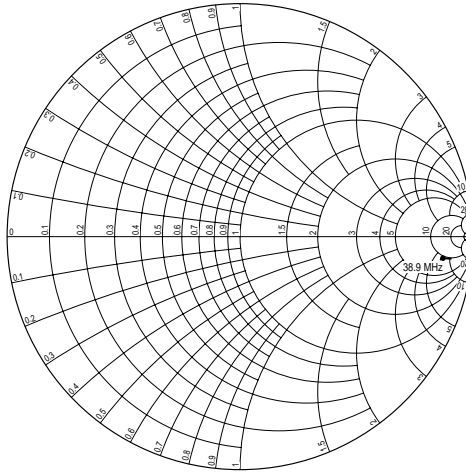
**4.4.4 Output admittance (S22) of the of the mixers (30 to 50 MHz)**

$Y_0 = 20\text{ms}$



**4.4.5 Input impedance (S11) of the IF amplifier (30 to 50 MHz)**

$Z_0 = 50 \Omega$



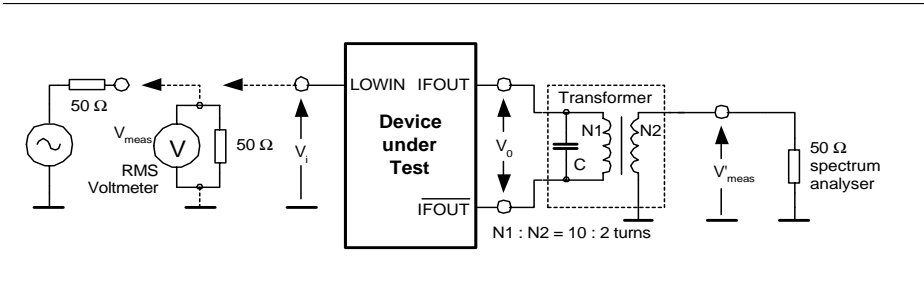
**4.4.6 Output impedance (S22) of the IF amplifier (30 to 50 MHz)**

$Z_0 = 50 \Omega$



## 4.5 Measurement Circuits

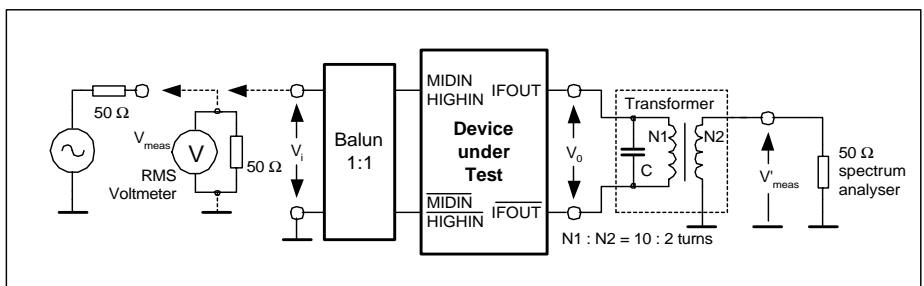
### 4.5.1 Gain ( $G_V$ ) measurement in LOW band



**Figure 10** Gain ( $G_V$ ) measurement in LOW band

- $Z_i \gg 50 \Omega \Rightarrow V_i = 2 \times V_{meas} = 80 \text{ dB}\mu\text{V}$
- $V_i = V_{meas} + 6\text{dB} = 80 \text{ dB}\mu\text{V}$
- $V_0 = V'_{meas} + 16 \text{ dB}$  (transformer ratio  $N1:N2$  and transformer loss)
- $G_V = 20 \log(V_0 / V_i)$

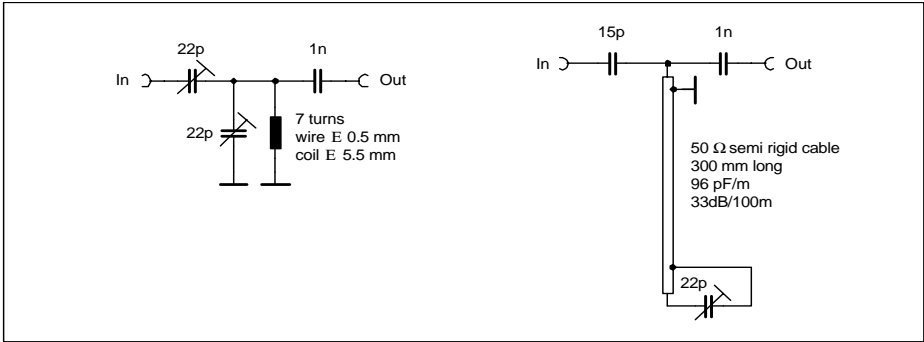
### 4.5.2 Gain ( $G_V$ ) measurement in MID and HIGH bands



**Figure 11** Gain ( $G_V$ ) measurement in MID and HIGH bands

- $V_i = V_{meas} = 70 \text{ dB}\mu\text{V}$
- $V_0 = V'_{meas} + 16 \text{ dB}$  (transformer ratio  $N1:N2$  and transformer loss)
- $G_V = 20 \log(V_0 / V_i) + 1 \text{ dB}$  (1 dB = insertion loss of balun)

### 4.5.3 Matching circuit for optimum noise figure in LOW band



**Figure 12 Matching circuit for optimum noise figure in LOW band**

For  $f_{RF} = 50 \text{ MHz}$

loss = 0 dB

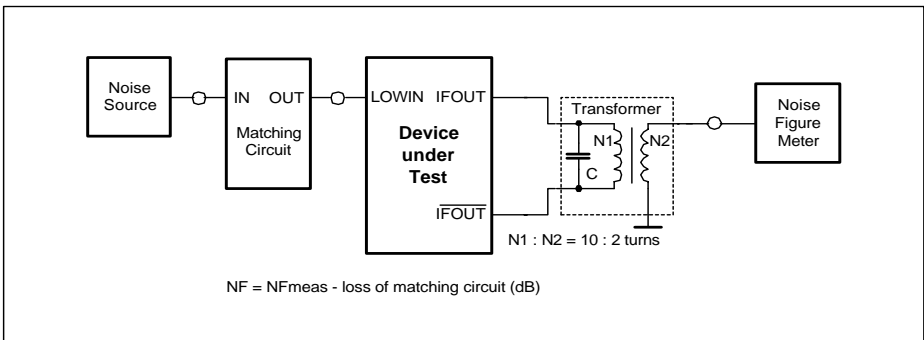
image suppression = 16 dB

For  $f_{RF} = 150 \text{ MHz}$

loss = 1.3 dB

image suppression = 13 dB

### 4.5.4 Noise figure (NF) measurement in LOW band



**Figure 13 Noise figure (NF) measurement in LOW band**



### 4.5.5 Noise figure (NF) measurement in MID and HIGH bands

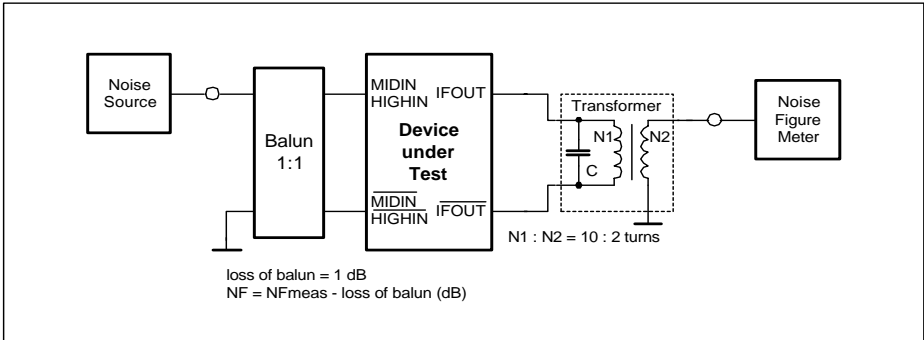


Figure 14 Noise figure (NF) measurement in MID and HIGH bands

### 4.5.6 Cross modulation measurement in LOW band

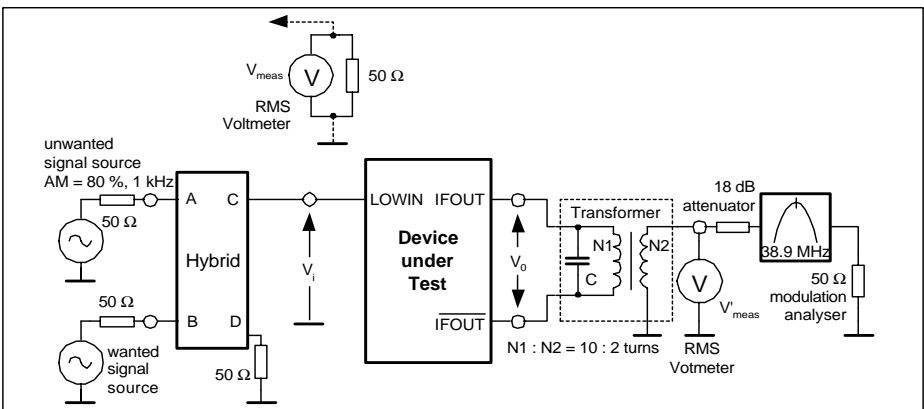
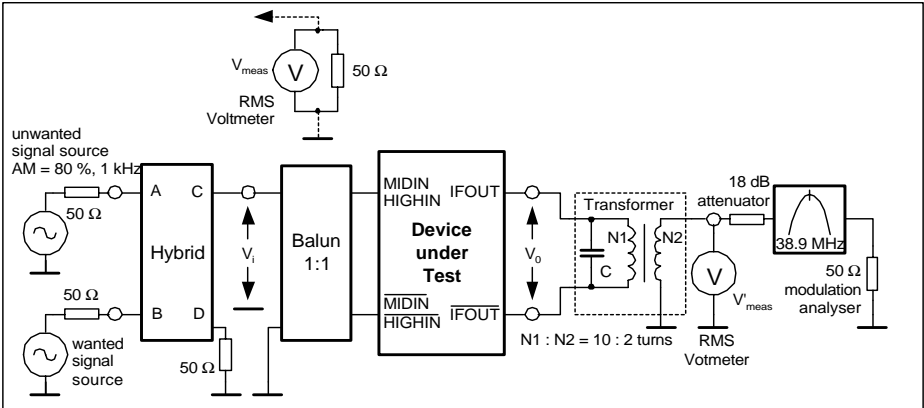


Figure 15 Cross modulation measurement in LOW band

- $Z_i \gg 50 \Omega \Rightarrow V_i = 2 \times V_{meas}$
- $V'_{meas} = V_0 - 16 \text{ dB}$  (transformer ratio  $N1:N2$  and transformer loss)
- wanted output signal at  $f_{pix}$ ,  $V_0 = 100 \text{ dB}\mu\text{V}$
- unwanted output signal at  $f_{snd}$

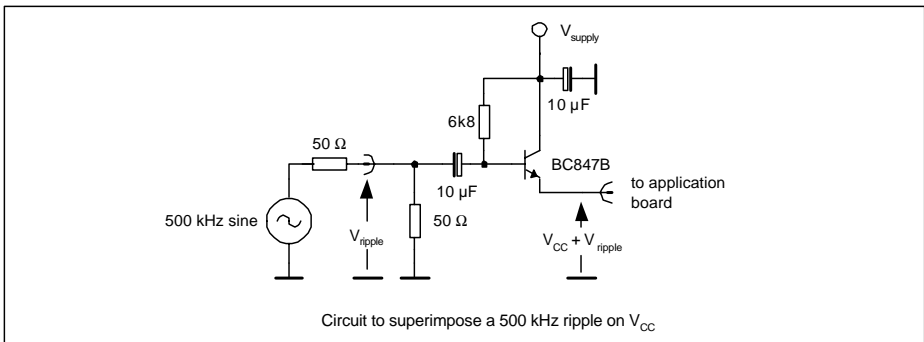
### 4.5.7 Cross modulation measurement in MID and HIGH bands



**Figure 16 Cross modulation measurement in MID and HIGH bands**

- $V'_{meas} = V_0 - 16 \text{ dB}$  (transformer ratio  $N1:N2$  and transformer loss)
- wanted output signal at  $f_{pix}$ ,  $V_0 = 100 \text{ dB}\mu\text{V}$
- unwanted output signal at  $f_{snd}$

### 4.5.8 Ripple susceptibility measurement



**Figure 17 Ripple susceptibility measurement**

## 5 Package Outlines

### 5.1 TSSOP-38

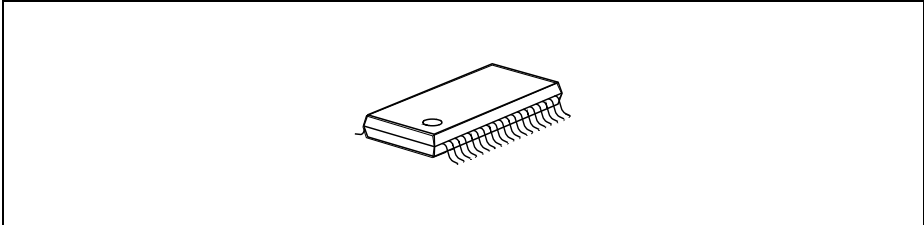


Figure 18 TSSOP-38 Vignette

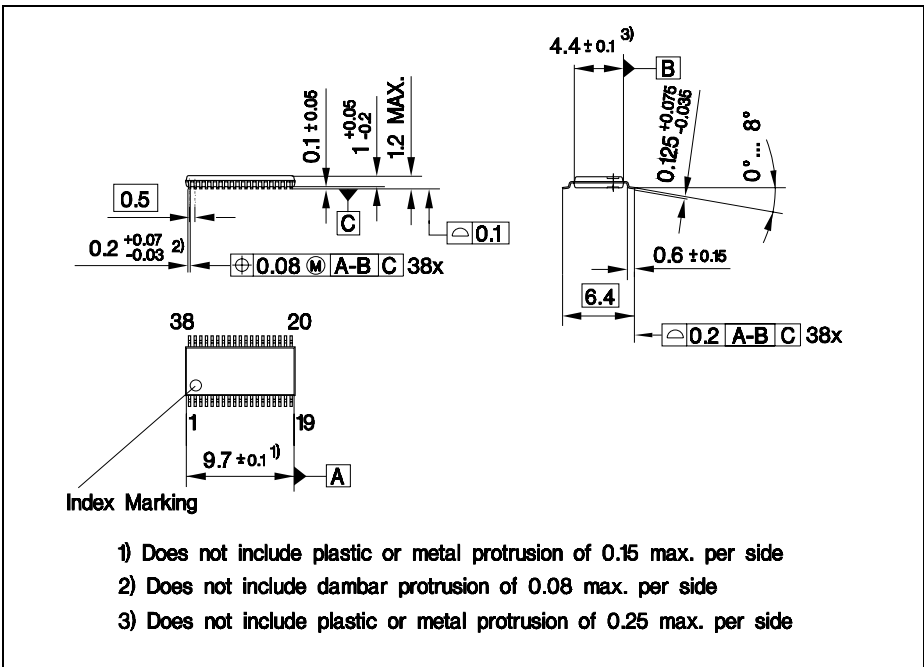


Figure 19 TSSOP-38 Outline Drawing



[www.infineon.com](http://www.infineon.com)

Published by Infineon Technologies AG