

---

## **Infrared Remote Control Transmitter    Preliminary    PT2221A/2222A**

---

### **DESCRIPTION**

The PT2221A and PT2222A are remote control transmitters utilizing CMOS Technology specially designed for use on infrared remote control applications. PT2221A is packaged in 20 pins SO and capable of controlling 32 functions and 3 double keys. PT2222A, on the other hand, is housed in 24 pins SO and capable of controlling 64 function keys and 3 double keys. PT2221A/2222A may be paired with PT2225 to construct a powerful remote control system.

### **FEATURES**

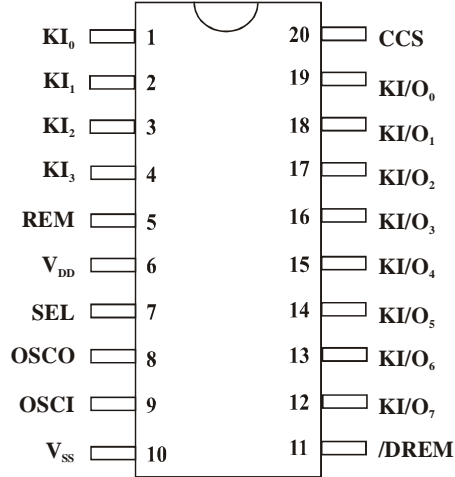
- CMOS Technology
- Low Power Consumption ( $V_{DD}=2.0 \sim 5.5V$ )
- Using SEL pin, PT2221A can support 64+6 function codes
- Using SEL pin, PT2222A can support 128 + 6 function codes
- Customer Code can be selected (please contact PTC for details)
- PT2221A/2222A can generated output data without carrier frequency by /DREM pin.

### **APPLICATIONS**

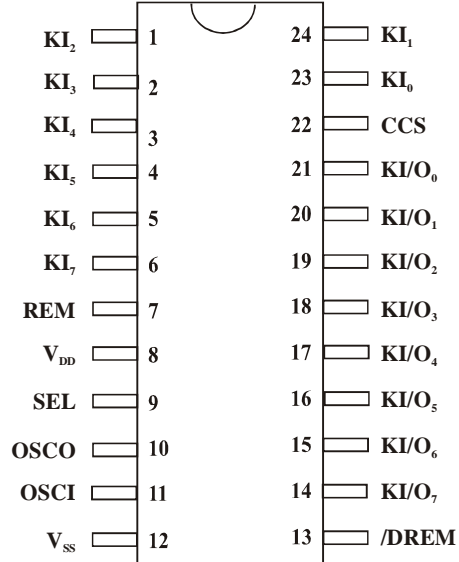
- Audio Equipment
- Television (TV)
- Cable TV Tuner
- Video Cassette Recorder (VCR)
- Cassette Deck
- Air Conditioner
- Video Compact Disk (VCD)
- DVD ROM/Player
- Moniputer / Multi-Media Personal Computer System

**Infrared Remote Control Transmitter Preliminary PT2221A/2222A**

**PIN CONFIGURATION**



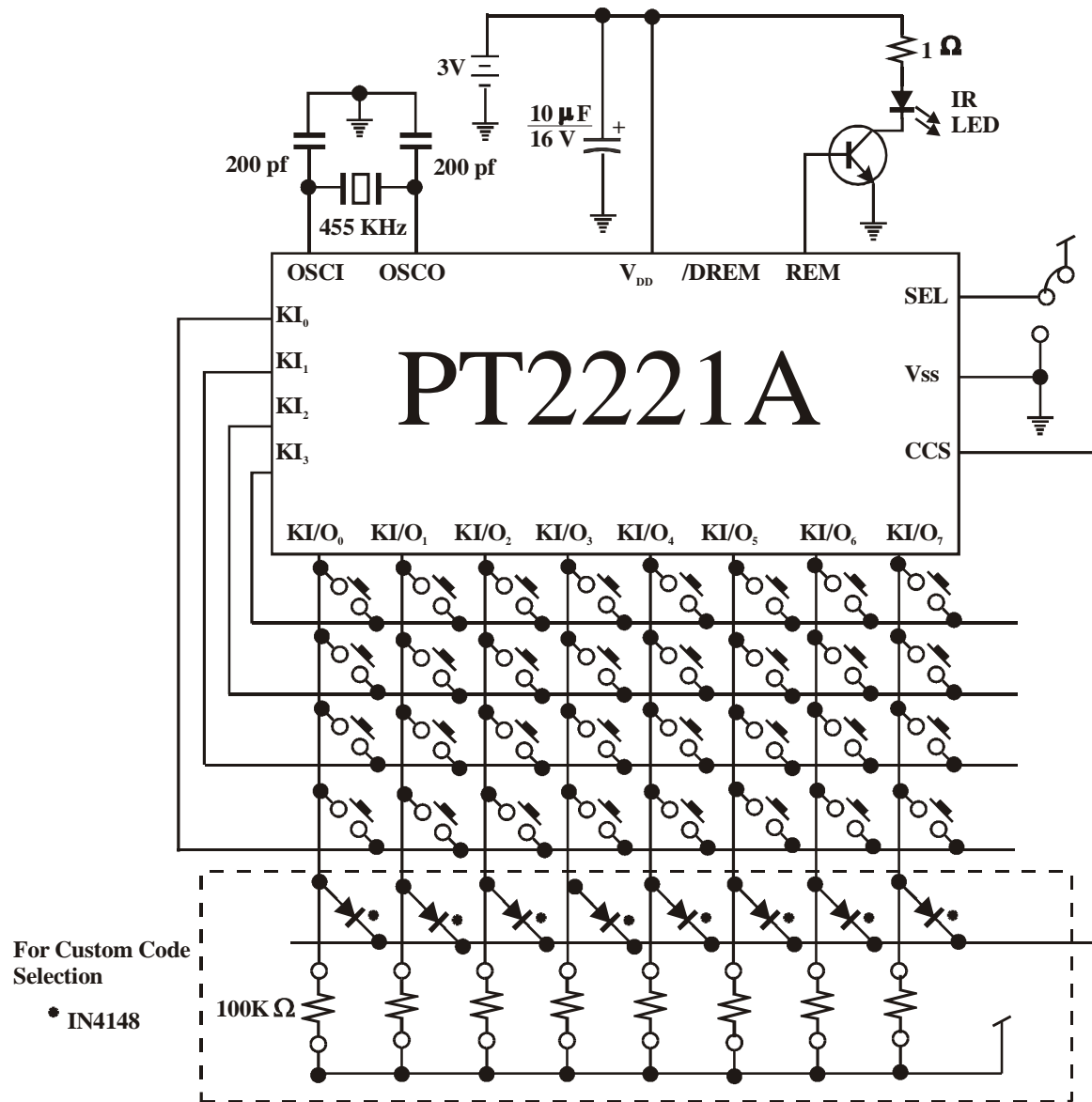
**PT 2221A - 00X**



**PT 2222A - 00X**

**Infrared Remote Control Transmitter Preliminary PT2221A/2222A**

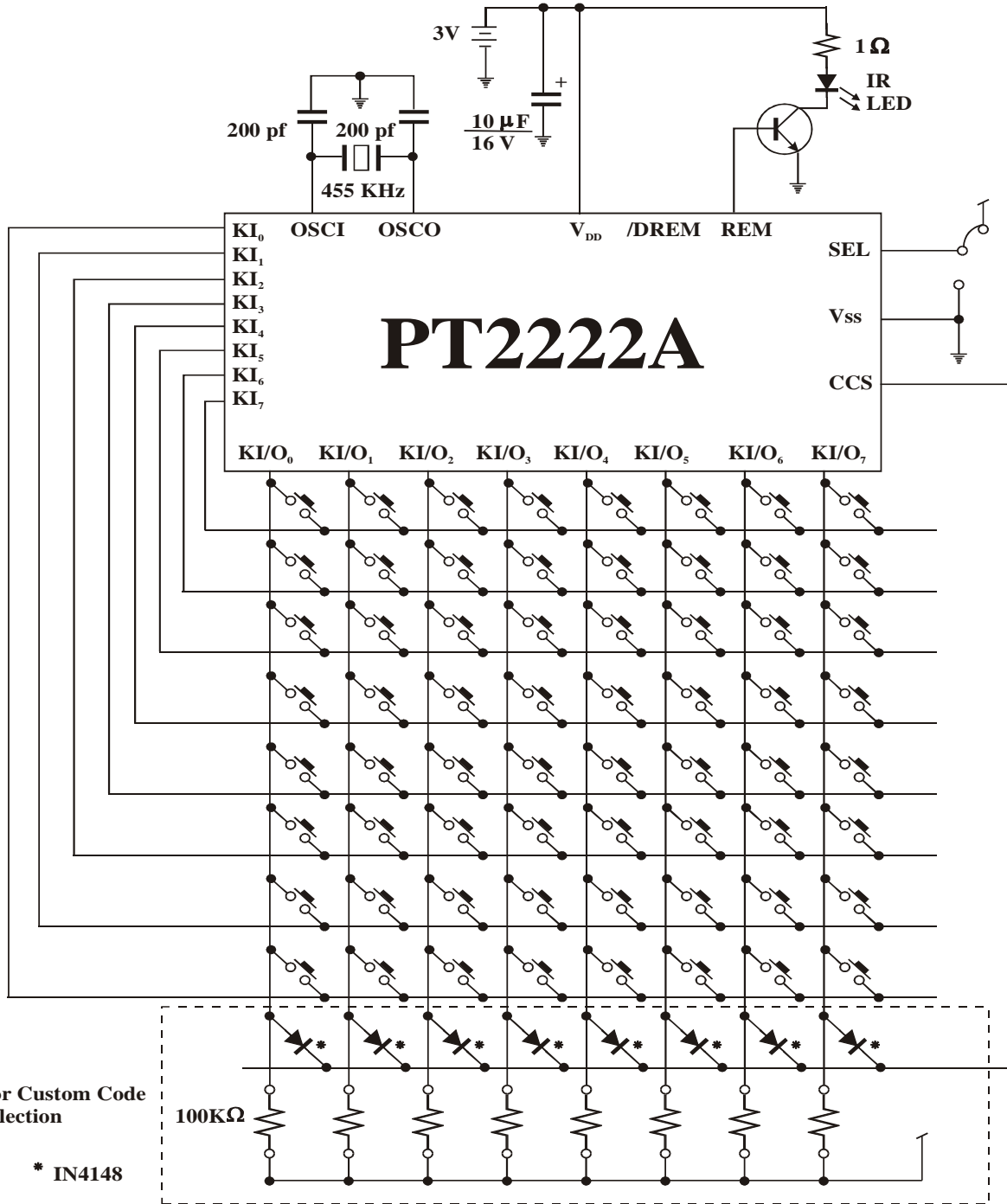
**PT2221A APPLICATION CIRCUIT**



Note: The V<sub>CC</sub> and V<sub>SS</sub> Terminals must be “SHORT” before the batteries are loaded to the transmitter handset to insure that PT2221A Power On Reset Function will operate properly.

**Infrared Remote Control Transmitter Preliminary PT2221A/2222A**

**PT2222A APPLICATION CIRCUIT**



Note: The V<sub>CC</sub> and V<sub>SS</sub> Terminals must be “SHORT” before the batteries are loaded to the transmitter handset to insure that PT2222A Power On Reset Function will operate properly.