

# M51348FP/AFP

POCKET TV IF SYSTEM

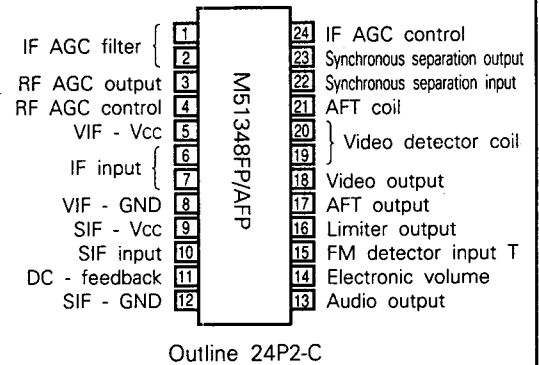
## DESCRIPTION

The M51348 is a low supply voltage, low power semiconductor IC for compact TV sets which includes Video Intermediate Frequency (VIF), Sound Intermediate Frequency (SIF), and Synchronous Separation (Sync. Sep.) functions. An IF amplifier, video detector (with simultaneous sound detector), IF AGC, RF AGC (forward type), AFT, SIF limiter amplifier, FM detector, electronic volume, and synchronous separation function are provided. The package is of the 24-pin mini-flat type. The M51348AFP has better DG and DP but less VIF input sensitivity than the M51348FP.

## FEATURES

- This IC can be used with very low supply voltage and low power and it comes in a mini-flat package to suit the compact TV or compact TV tuner.  
Minimum operating power voltage .....3V  
Consuming current .....16mA(when used with 4.5V supply voltage)
- Current automatically decreases to ensure power saving when a strong signal is received, when the AFT is not in use, i.e., when mute switch is ON, and when the electronic volume control is at its lowest.
- There are separate GND pins for the VIF/Sync. Sep. circuit and for the SIF circuit so that cross-interference is reduced.
- It is possible to adjust the video detector output amplitude by controlling the 24-pin voltage externally.

## PIN CONFIGURATION (TOP VIEW)



- The AGC works fast because of the 2-stage AGC filter. AGC has high stability against outside noise due to the AGC noise canceller.
- Emitter input circuit is used in Sync. Sep. Output is taken from the Sync. positive polarity.

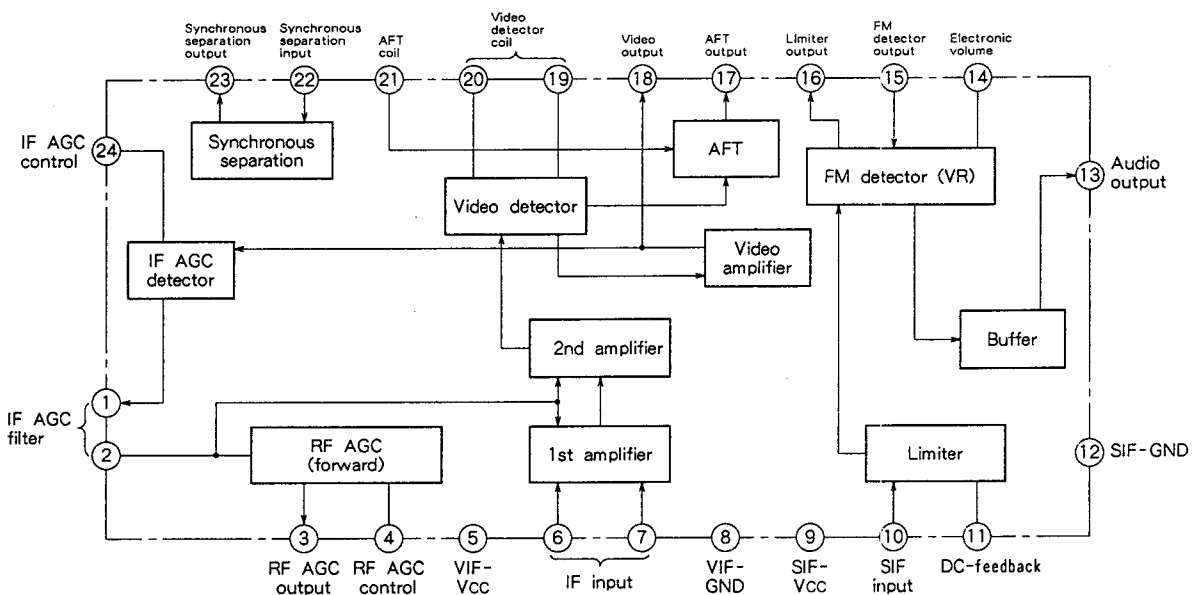
## APPLICATION

Portable B/W, color TV

## RECOMMENDED OPERATING CONDITIONS

Supply voltage range .....3.0~6.0V  
Rated supply voltage .....4.5V

## BLOCK DIAGRAM



**M51348FP/AFP**

**POCKET TV IF SYSTEM**

**ABSOLUTE MAXIMUM RATINGS**

Symbol	Parameter	Rated	Unit
V <sub>cc</sub> (5)	Supply Voltage (1)	7.5	V
V <sub>cc</sub> (9)	Supply Voltage (2)	7.5	V
P <sub>d</sub>	Power Dissipation	500	mW
T <sub>opr</sub>	Operating Temperature	- 20~75	°C
T <sub>stg</sub>	Storage Temperature	- 40~125	°C

**ELECTRICAL CHARACTERISTICS** (T<sub>a</sub> = 25°C, unless otherwise noted)

**VIF SECTION**

Symbol	Parameter	Test point	Input	Test conditions	Limits			Unit
					Min.	Typ.	Max.	
I <sub>vif</sub>	Circuit current	⑤	SG1 90dB $\mu$	Input current with 4.5V in ⑤	9	13.5	18	mA
V <sub>o det</sub>	Video detector output	⑩	SG1 90dB $\mu$	Output amplitude	0.7	0.9	1.1	V <sub>P-P</sub>
V <sub>in min</sub>	Input sensitivity	⑩	SG1 Variable	Input level when output amplitude reaches 3 dB less than V <sub>o det</sub> .		45 (48)	50 (55)	dB $\mu$
V <sub>in max</sub>	Maximum allowable input	⑩	SG1 Variable	Input level when output amplitude reaches 3 dB more than V <sub>o det</sub> .	90 (95)	109 (114)		dB $\mu$
BW	Video frequency characteristic	⑩	SG2	BW is defined as f <sub>1</sub> -f <sub>2</sub> when output amplitude reaches -3 dB less than that when f <sub>1</sub> -f <sub>2</sub> = 1MHz.	6	7		MHz
V <sub>3H</sub>	RF AGC maximum voltage	③	SG4 90dB $\mu$	Output DC voltage with 4.5V in ④	3.2	3.7		V <sub>O-P</sub>
V <sub>3L</sub>	RF AGC minimum voltage	③	SG4 90dB $\mu$	Output DC voltage with 2V in ④		0	0.2	V <sub>O-P</sub>
$\mu$	AFT detector sensitivity	⑰	SG5 90dB $\mu$		30	42		mV/kHz
V <sub>M17</sub>	DC voltage at AFT mute ON	⑰	SG5 90dB $\mu$	Output DC voltage with 0V in ⑳	2	2.25	2.5	V
V <sub>AC</sub>	AFT center voltage	⑰		Output DC voltage with 0V in ②	0.5	1.4	2.5	V
V <sub>sync</sub>	Sync. Sep. output voltage	㉓	SG1 90dB $\mu$	Output amplitude	3.5	3.8	4.1	V <sub>P-P</sub>
V <sub>OH det</sub>	Video detector output at high or low voltage	⑩	SG1 90dB $\mu$	Output amplitude with 6.0V or 3.0V in ⑤	0.95	1.25	1.55	V <sub>P-P</sub>
V <sub>OL det</sub>					0.35	0.6	0.85	

Note: ( ) indicates value for the M51348AFP.

**ELECTRICAL CHARACTERISTICS**

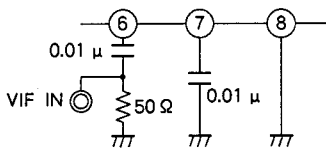
**SIF SECTION**

Symbol	Parameter	Test point	Input	Test conditions	Limits			Unit
					Min.	Typ.	Max.	
Isif	Circuit current	⑨		Input current with 4.5V in ⑨	2.0	2.8	3.6	mA
Vo AF	Detector output voltage	⑬	SG6 90dBμ	Output amplitude	220	270	320	mVrms
Vi min	Input limiting sensitivity	⑬	SG6 Variable	Input level when input amplitude reaches -3dB below Vo AF.		35	49	dB μ
AMR	AM rejection ratio	⑬	SG7 90dBμ	AMR = 20 log, where V <sub>AM</sub> denotes output amplitude. AMR = 20 log $\frac{V_{O AF} (mVrms)}{V_{AM} (mVrms)}$	40	60		dB
BW (s)	Bandwidth	⑬	SG8 90dBμ		100	130		kHz
VR1	Electronic volume control characteristic	⑬	SG6 90dBμ	Ratio of output amplitude and Vo AF when ⑩ is changed from 4.0V to 1.0V.	3.3	3.75	4.2	dB
VR2					-63	-52	dB	
THD	Distortion	⑬	SG9 90dBμ	Measured by distortion meter		0.8	1.2	%
VOHAF	Detector output voltage at high or low voltage	⑬	SG6 90dBμ	Output amplitude with 6.0V or 3.0V in ⑨	380	430	480	mVrms
VOLAF					53	64	75	mVrms

Note: O indicates measuring circuit.

**PRECAUTIONS CONCERNING ELECTRICAL CHARACTERISTICS**

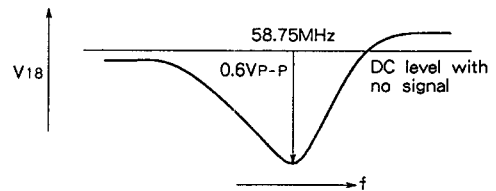
- Voltage supplied (pins ⑤ and ⑨) is 4.5V unless otherwise noted in the conditions column.
- VIF input amplitude (Vin) is the amplitude of VIF IN in the circuit below. Feed SG1 90dBμ signal into the circuit below, and measure the DC voltage V2 at ②. Set the circuit for AC voltage measurement and adjust the input amplitude, monitoring DC voltage at ②, until it reaches the level of V2. 90dBμ is defined as the input amplitude at that time.



- Input signals are shown below.
  - SG1 fo=58.75MHz fm=20kHz 77.8%AM
  - SG2 f1=58.75MHz Vi=90dBμ CW } mixed signal
  - f2=53±5MHz Vi=70dBμ CW }
  - SG3 fo=58.75MHz LINEARITY 10step signal (87.5%Video modulation)
  - SG4 fo=58.75MHz CW
  - SG5 fo=58.75±5MHz CW (Sweep)
  - SG6 fo=4.5MHz FM25kHz dev fm=400Hz

- SG7 fo=4.5MHz AM30% fm=400Hz
- SG8 fo=4.5MHz±200kHz FM7.5kHz dev fm=400Hz
- SG9 fo=4.5MHz FM7.5kHz dev fm=400Hz

- Adjustment of LLD coil
  - Feed SG5 Vi=90dBμ into VIF IN.
  - AFT coil must be shifted to detuned condition.
  - Feed outside voltage to ② and check tank response at ⑩ as shown in the figure below.
  - Adjust LLD coil so that peak comes at 58.75MHz.

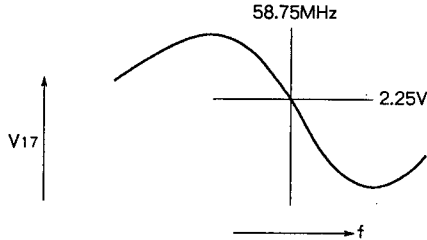


# M51348FP/AFP

## POCKET TV IF SYSTEM

### 5. Adjustment of AFT coil

- 1) Feed SG5  $V_i=90dB\mu$  in VIF IN.
- 2) Measure the voltage at pin ⑰ and adjust AFT coil as shown in the figure below.

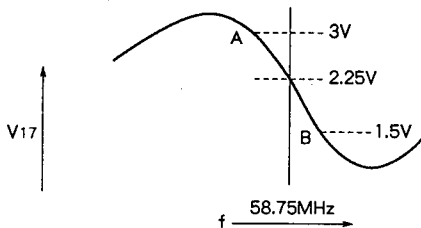


### BW(s): Bandwidth "BW(s)"

First, define  $V_{OIF FM}$  as the output amplitude when the signal  $f_0=4.5MHz$ ,  $f_m=400Hz$  and  $f_{dev}=\pm 7.5kHz$  is given to SIF IN.

Second, decrease and increase the frequency  $f_0$  until the output amplitude reaches  $-3dB$  than  $V_{OIF FM}$ . These are defined as  $f_{OL}$  and  $f_{OH}$ , respectively. Bandwidth is defined as  $BW(s)=f_{OH}-f_{OL}$ .

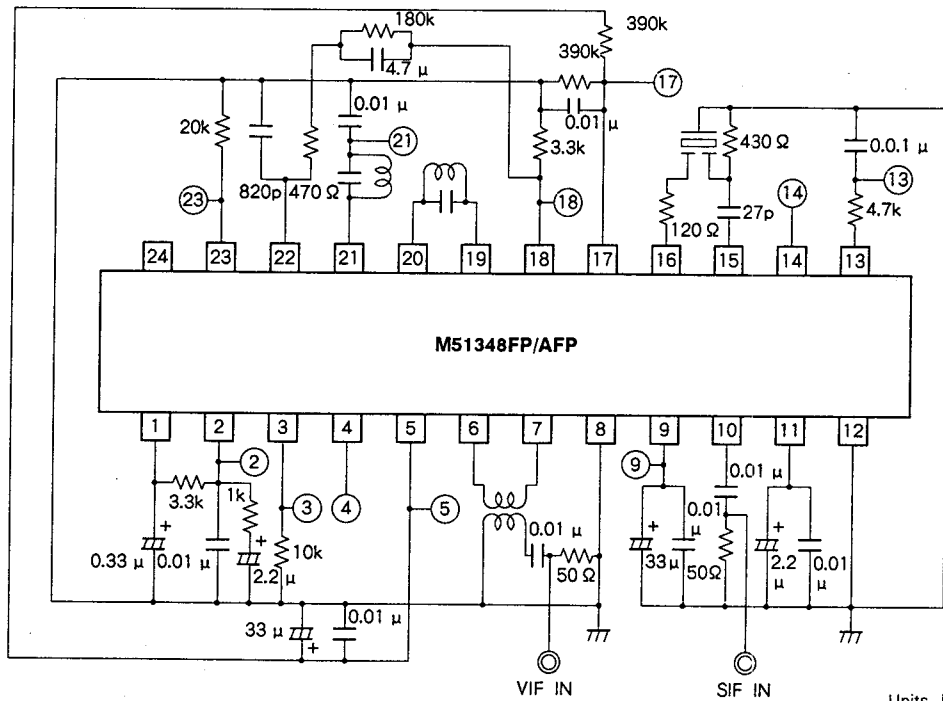
### $\mu$ : AFT detector sensitivity " $\mu$ "



$$\mu = \frac{1500mV}{f_B(kHz) - f_A(kHz)}$$

where  $f_A$  denotes a frequency at A and  $f_B$  at B.

### TEST CIRCUIT

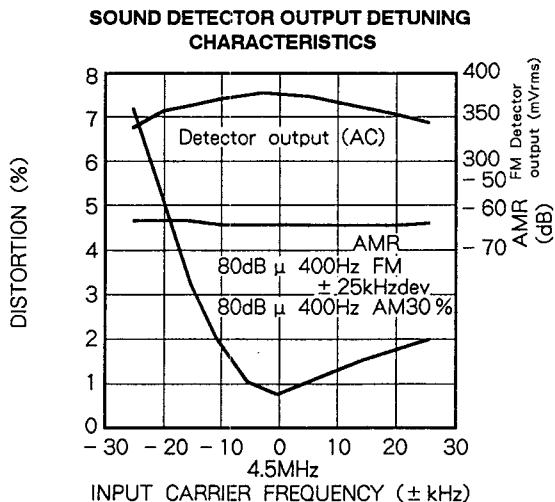
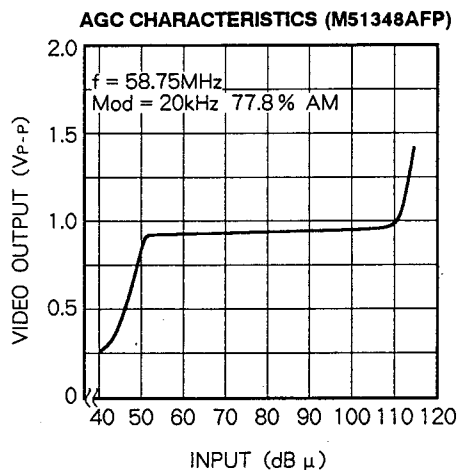
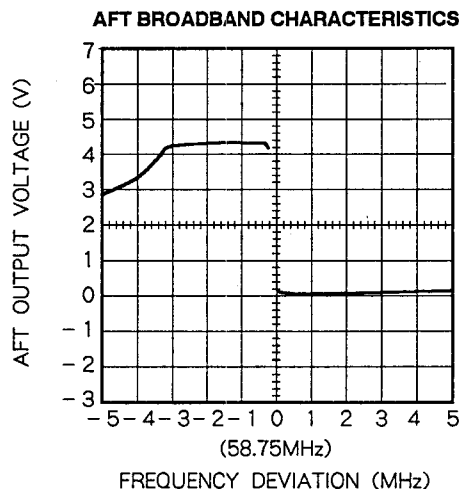
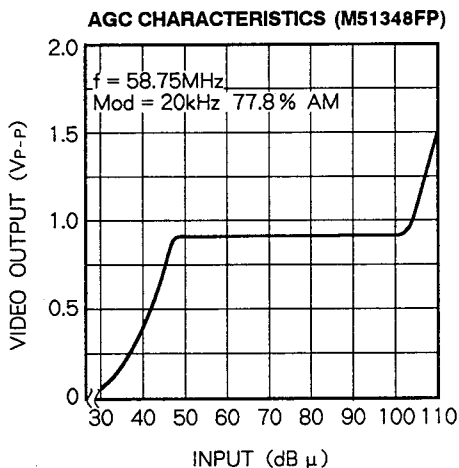
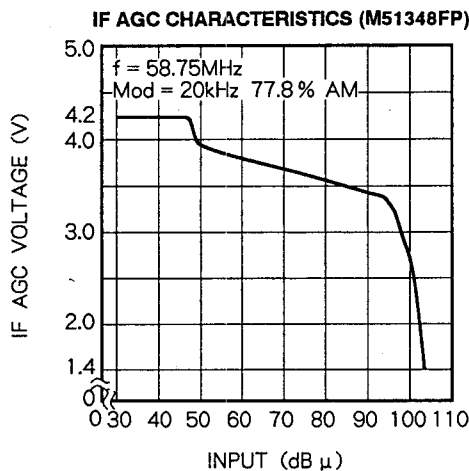
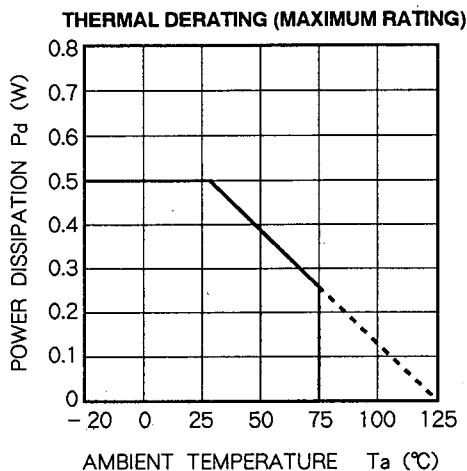


Units Resistance:  $\Omega$   
Capacitance: F

# M51348FP/AFP

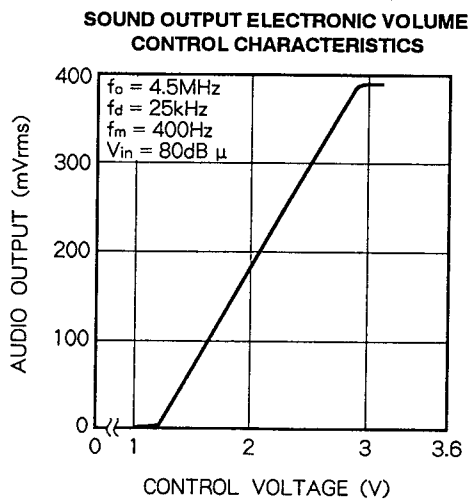
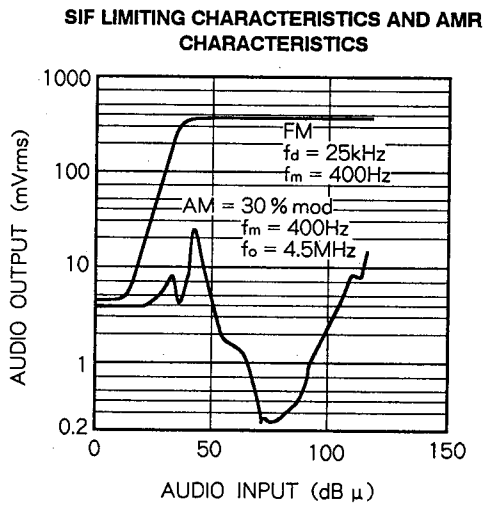
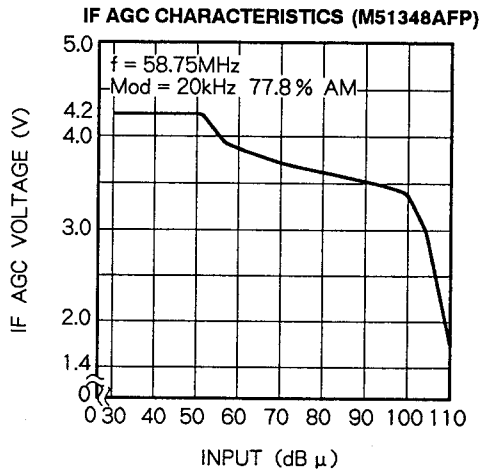
## POCKET TV IF SYSTEM

### TYPICAL CHARACTERISTICS



M51348FP/AFP

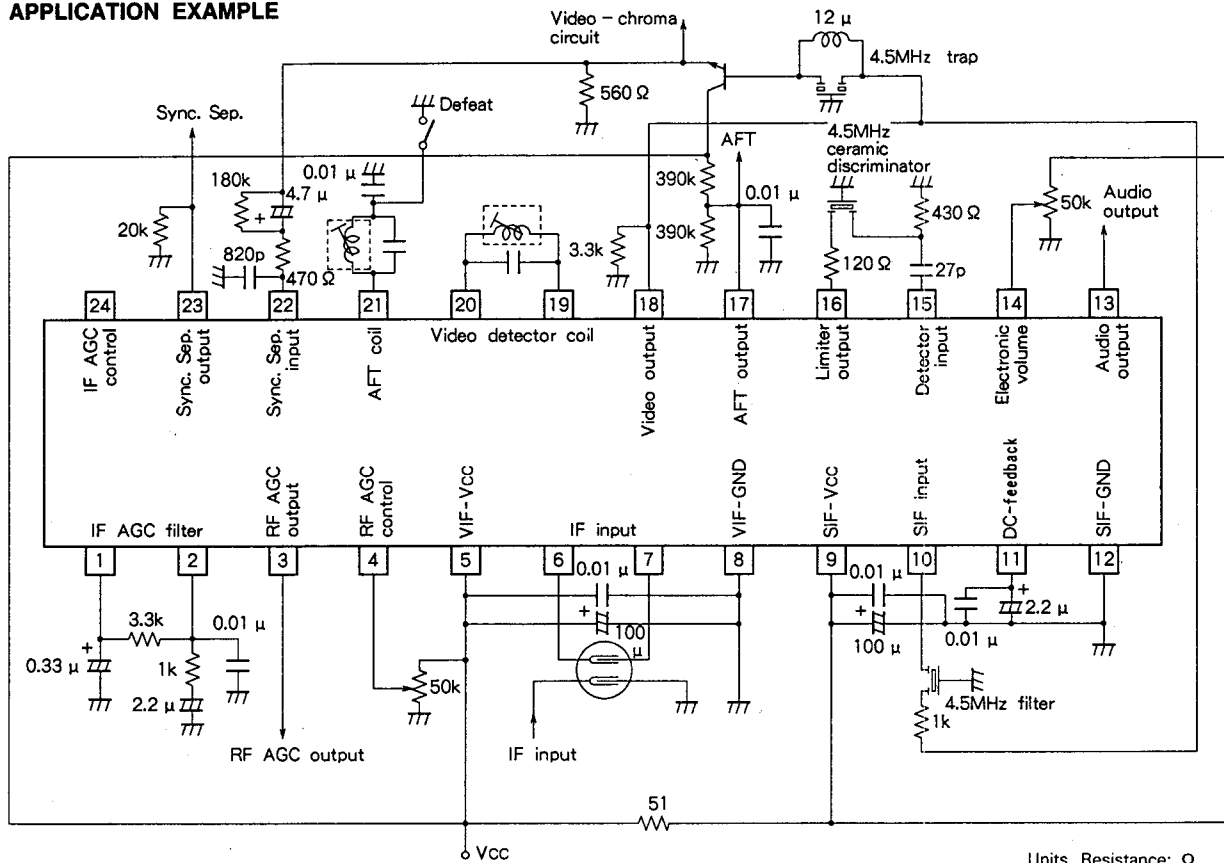
POCKET TV IF SYSTEM



# M51348FP/AFP

## POCKET TV IF SYSTEM

### APPLICATION EXAMPLE

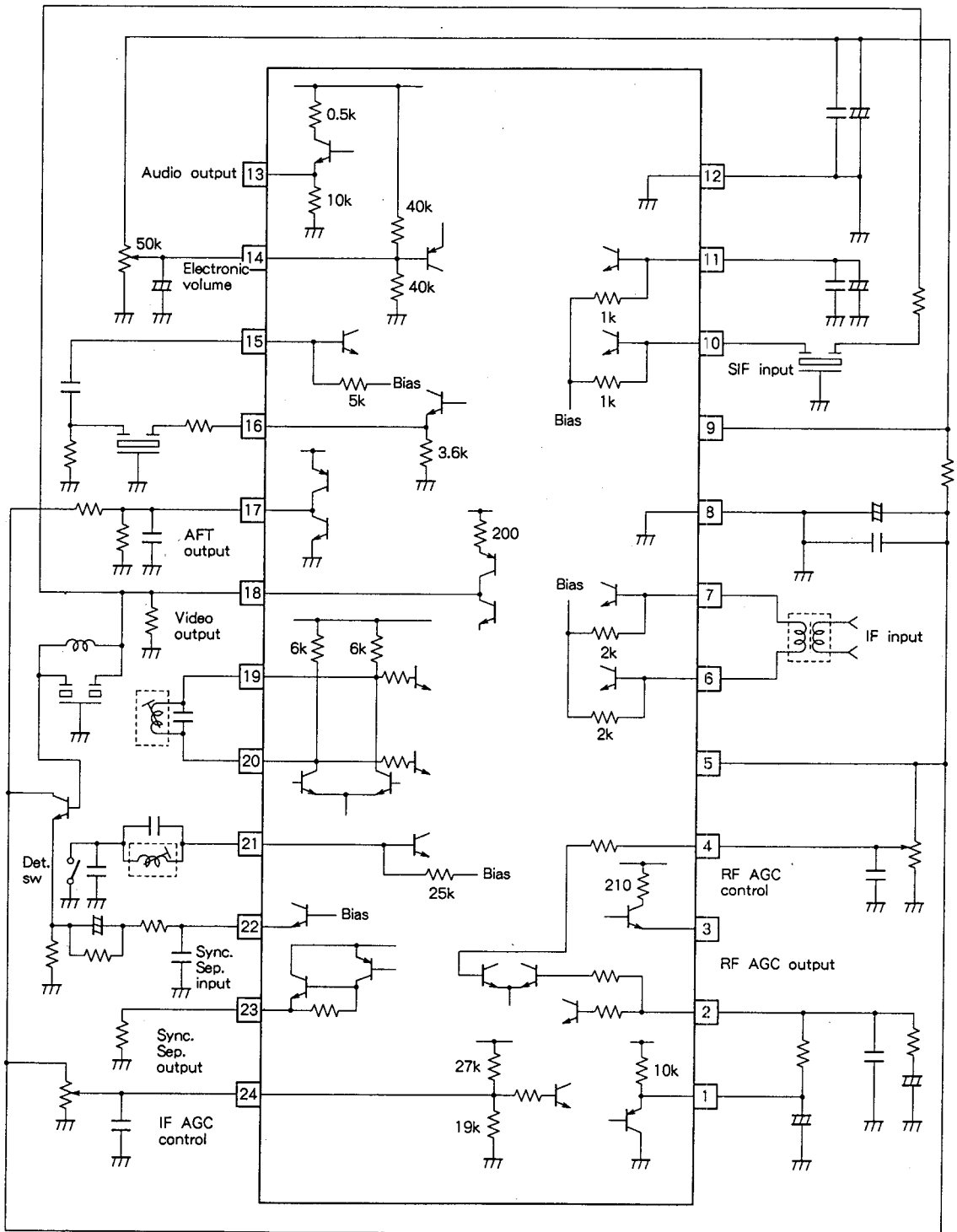


Units Resistance: Ω  
Capacitance: F

# M51348FP/AFP

POCKET TV IF SYSTEM

## DESCRIPTION OF PIN



Units Resistance: Ω  
Capacitance: F



# M51348FP/AFP

## POCKET TV IF SYSTEM

### PRECAUTIONS FOR APPLICATION

1. Operating supply voltage

This IC can be used with 3~6V. Within this range, the higher the supply voltage is, the greater the current dissipation is and the higher the performance is. However, VIF input sensitivity reaches a high level with high Vcc, so care must be taken with amplifier oscillation. Separate power supplies may be used for VIF and SIF..

2. AFT operation

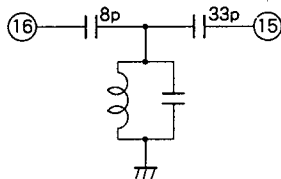
The AFT coil pin should be grounded (Pin ②) if AFT circuit is not in use. This reduces current dissipation of the AFT block.

3. IF AGC control (Pin ④)

This pin has 0.9V<sub>P-P</sub> voltage with no connection. The lower the outside voltage to Pin ④ is, the higher the detector output becomes.

4. FM detector circuit (Pin ⑮, ⑯)

The following circuit is recommended if a coil is used.



5. Electronic volume control (Pin ⑭)

This pin has Vcc/2 voltage inside. Detector output and circuit current change from max. to min. corresponding to outside voltage change from Vcc to 0V. Input Vcc or leave Pin ⑭ open when electronic volume control is not in use.

6. DG/DP

The M51348FP and AFP, and 10k coil and 5k coil types have standard differences as follows:

	10k coil (Q ≈ 72)	5k coil (Q ≈ 75)
M51348FP	15 % / 5deg	20 % / 7deg
M51348AFP	10 % / 4deg	7 % / 3deg

LLD, AFT Coil Example  
 5k 4turn 47pF Q≈75

This datasheet has been download from:

[www.datasheetcatalog.com](http://www.datasheetcatalog.com)

Datasheets for electronics components.