

SANYO	No.3804A	LA7217,7217M
	Synchronizing Signal Separator with AFC and Sync Detector	

The LA7217 and 7217M are synchronizing signal separator ICs with AFC and AFC Lock detector designed to be used in video equipments such as VCR and TV sets. VCO with ceramic oscillator and PLL horizontal sync detector provide an adjust-free, precision sync detection system.

Functions

- Horizontal sync separation
- Vertical sync separation
- VCO (32f_H)
- AFC
- Sync signal detection

Features

- Use of a ceramic oscillator requires no adjustment
- Negative polarity output
- High impedance video signal input pin
- 5 V supply voltage

Maximum Ratings at Ta = 25°C

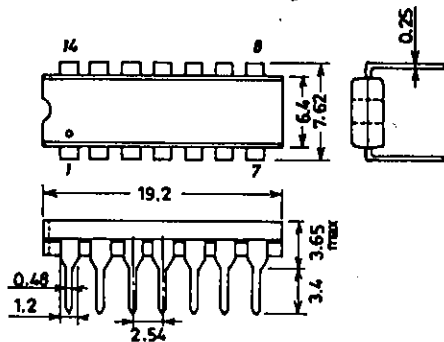
Maximum Supply Voltage	V _{CC} max	Quiescent time	7	unit
Allowable Power Dissipation	Pd max		150	V
Operating Temperature	Topr		-15 to +65	mW
Storage Temperature	Tstg		-40 to +125	°C

Operating Conditions at Ta = 25°C

Recommended Supply Voltage	V _{CC}		5.0	unit
Operating Voltage Range	V _{CC} op		4.5 to 5.5	V

Package Dimensions 3003A

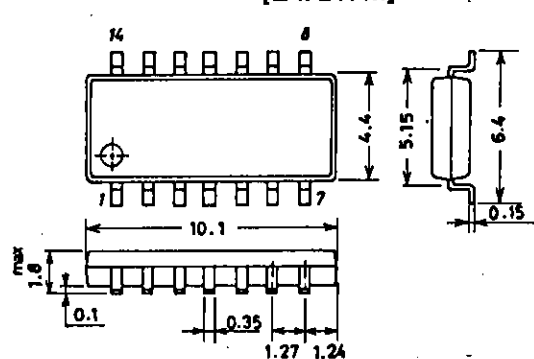
(unit: mm) [LA7217]



SANYO : DIP14

Package Dimensions 3034A

(unit: mm) [LA7217M]

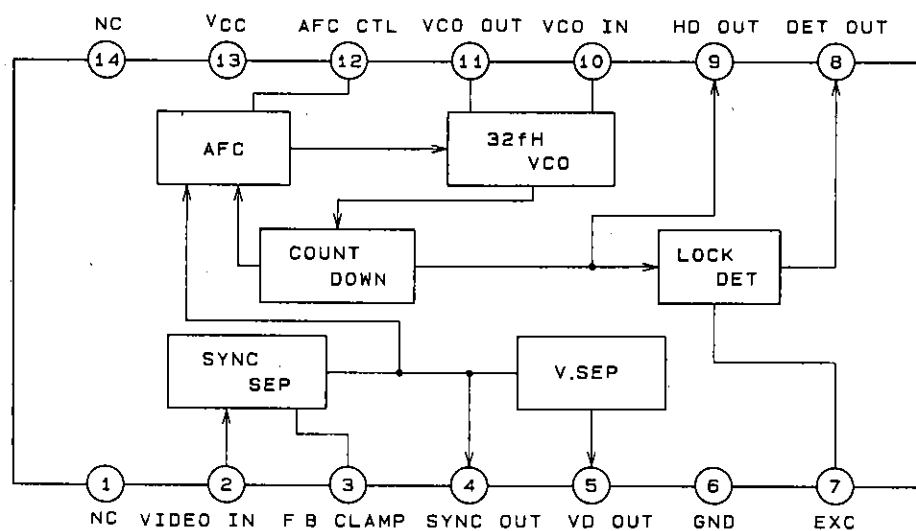


SANYO : MFP14

Operating Characteristics at $T_a = 25^\circ\text{C}$, $V_{CC} = 5\text{V}$

			min	typ	max	unit
Current Dissipation	I_{CC}	Standard color bar input	4.9	7	9.1	mA
Minimum Separable Input Voltage	V_I min		-15	-11	-8	dB
HD Output Delay Time	T_{HD}	From pin 2 to pin 9	0.1	0.5	0.9	μs
HD Output Pulse Width	T_{HW}		3.6	4.0	4.4	μs
VD Output Delay Time	T_{VD}	From pin 2 to pin 5	9	13	17	μs
VD Output Pulse Width	T_{VW}		0.16	0.21	0.26	ms
Free-running Frequency	FO	SW1 off	15.4	15.75	16.1	kHz
Capture Range 1	F_{CH}	Judgment by comparison of pin 9 with pin 2	300	500		Hz
Capture Range 2	F_{CL}	Judgment by comparison of pin 9 with pin 2	1000	1500		Hz
SYNC Out, H Voltage	V_{SH}	Level on pin 4	3.9	4.2		V
SYNC Out, L Voltage	V_{SL}	Level on pin 4		0.8	1.0	V
HD Out, H Voltage	V_{HH}	Level on pin 9	3.9	4.2		V
HD Out, L Voltage	V_{HL}	Level on pin 9		0.8	1.0	V
VD Out, H Voltage	V_{VH}	Level on pin 5	3.9	4.2		V
VD Out, L Voltage	V_{VL}	Level on pin 5		0.8	1.0	V
DET Out, H Voltage	V_{DH}		4.8	5.0		V
DET Out, L Voltage	V_{DL}	SW1 off		0.1	0.3	V
Comparator Threshold H Voltage	V_{TH}	SW2-a	2.7	2.95	3.2	V
Comparator Threshold L Voltage	V_{TL}	SW2-a	2.4	2.7	3.0	V
Threshold Width	V_{TW}	$V_{TH}-V_{TL}$	0.10	0.22	0.40	V
DET Operating Current, H	I_{DH}	SW2-b	40	65	90	μA
DET Operating Current, L	I_{DL}	SW2-b	40	65	90	μA

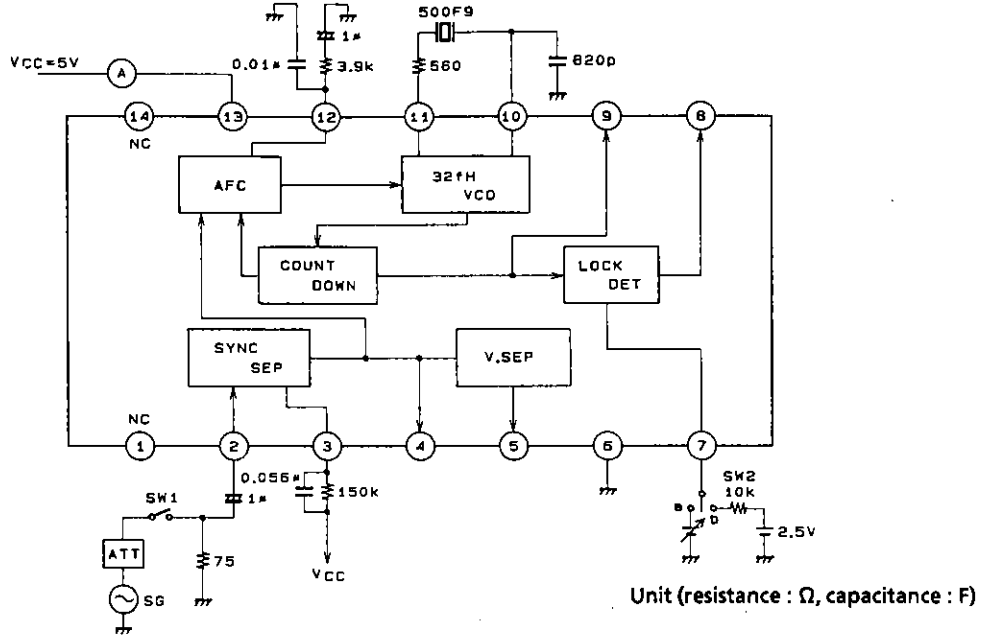
Block Diagram



A00487

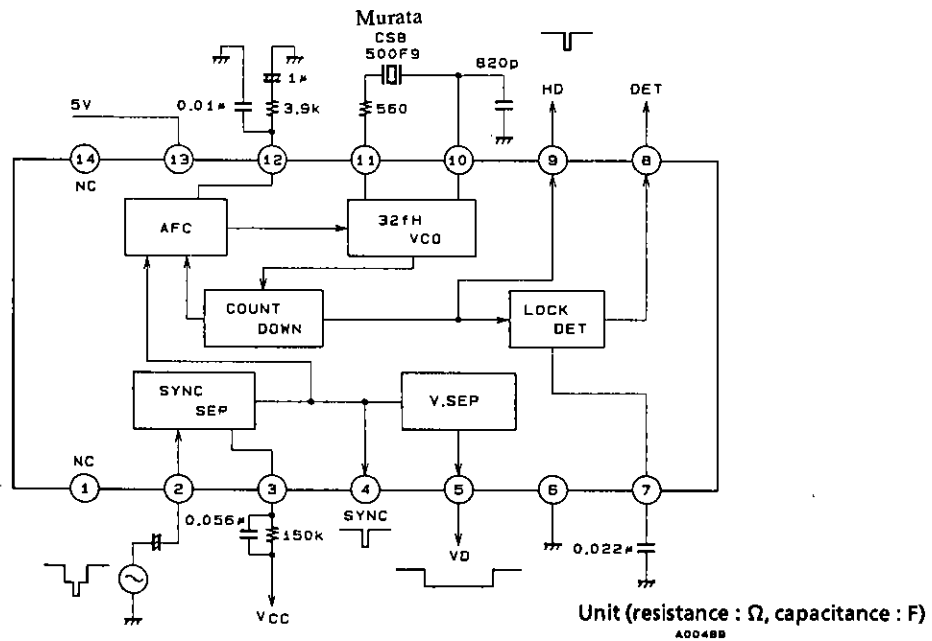
LA7217, 7217M

Test Circuit



A00488

Typical Application



A00488

- DET OUT becomes H upon lock
- When feeding video signal to the input pin directly, keep DC level between 2 and 3.5 volts.
- Standard video input is 1 Vp-p

- No products described or contained herein are intended for use in surgical implants, life-support systems, aerospace equipment, nuclear power control systems, vehicles, disaster/crime-prevention equipment and the like, the failure of which may directly or indirectly cause injury, death or property loss.
- Anyone purchasing any products described or contained herein for an above-mentioned use shall:
 - ① Accept full responsibility and indemnify and defend SANYO ELECTRIC CO., LTD., its affiliates, subsidiaries and distributors and all their officers and employees, jointly and severally, against any and all claims and litigation and all damages, cost and expenses associated with such use:
 - ② Not impose any responsibility for any fault or negligence which may be cited in any such claim or litigation on SANYO ELECTRIC CO., LTD., its affiliates, subsidiaries and distributors or any of their officers and employees jointly or severally.
- Information (including circuit diagrams and circuit parameters) herein is for example only; it is not guaranteed for volume production. SANYO believes information herein is accurate and reliable, but no guarantees are made or implied regarding its use or any infringements of intellectual property rights or other rights of third parties.

This catalog provides information as of **December, 1996**. Specifications and information herein are subject to change without notice.