

# DBL 5018

## LOW POWER NARROW BAND FM IF

The DBL5018 is designed for use in FM dual conversion communication.

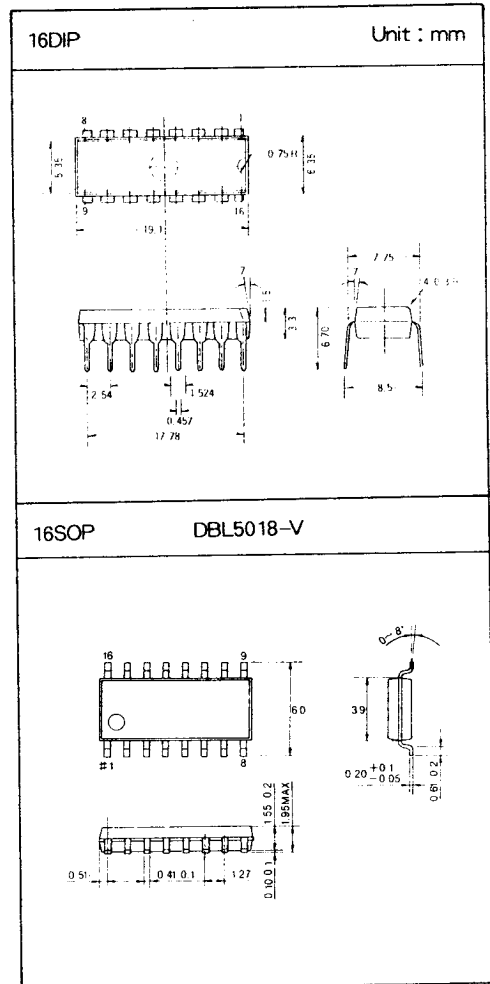
It contains a complete narrow band FM demodulation system operable to less than 2.0V supply voltage. This low power narrow band FM IF system provides the second converter, second IF, demodulator, Filter Amp and squelch circuitry for communications and scanning receivers.

### FEATURES

- Operating voltage range : 2.0V~8.0V
- Low Current Consumption  $I_{CC}=4.0\text{mA}$  Typ.  
( $V_{CC}=4.0\text{V}$ )
- Excellent input sensitivity  
(-3dB Limiting= $2.0\mu\text{Vrms}$  Typ.)
- Low number of external parts required
- Operating frequency up to 60MHZ

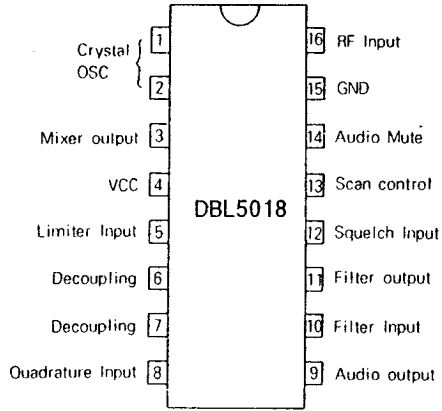
### MAXIMUM RATINGS( $T_a=25^\circ\text{C}$ )

Characteristics	Symbol	Rating	Unit
Maximum Supply voltage	$V_{CC,MAX}$	10	V
Supply Voltage Range	$V_{CC}$	2.0~8.0	V
Detector input Voltage	$V_{IN,DET}$	1.0	$V_{p-p}$
RF Input Voltage( $V_{CC}\geq 4.0\text{v}$ )	$V_{IN,RF}$	1.0	$V_{rms}$
Mute Function	$V_{MUTE}$	-0.5~+5.0	$V_{peak}$
Operating Temperature	$T_{op}$	-2.0~+70	$^\circ\text{C}$
Storage Temperature	$T_{stg}$	-65~+150	$^\circ\text{C}$

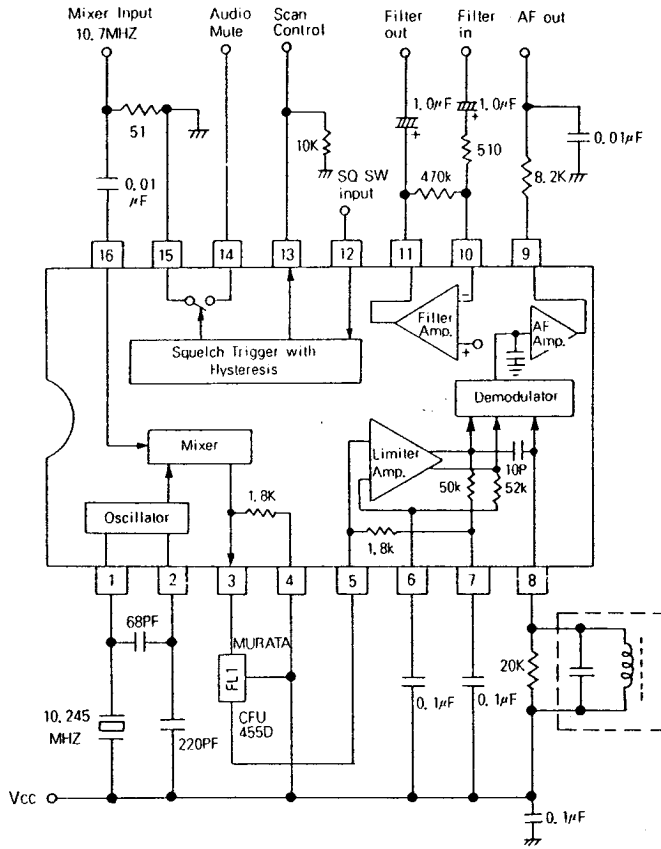


# DBL 5018

## PIN CONFIGURATION

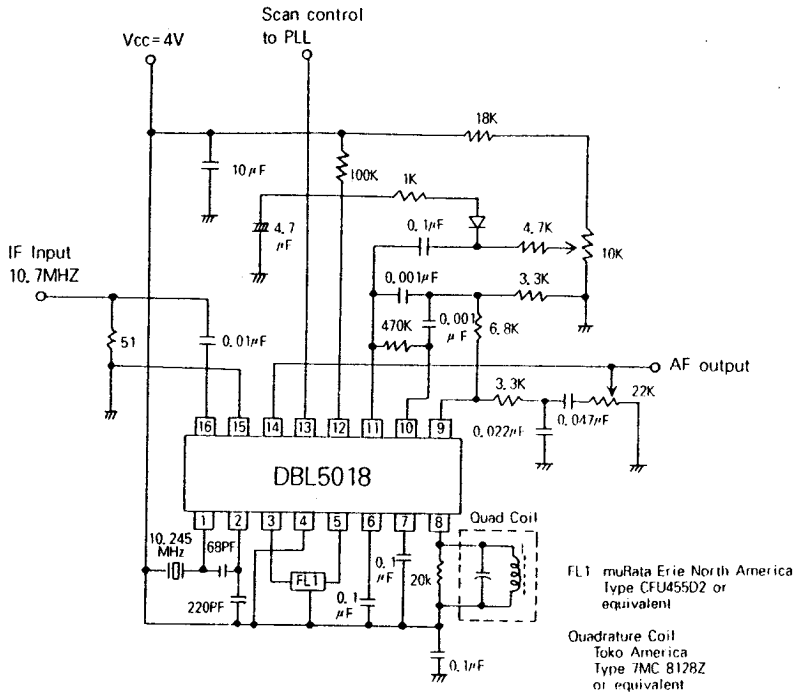


## BLOCK DIAGRAM AND TEST CIRCUIT

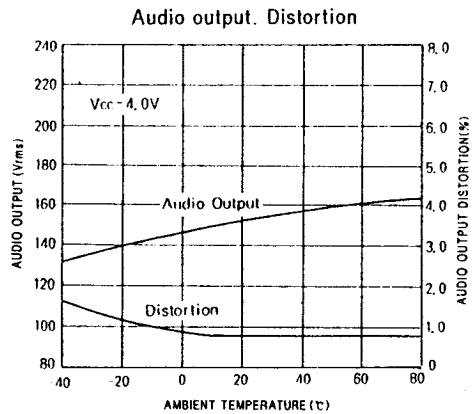
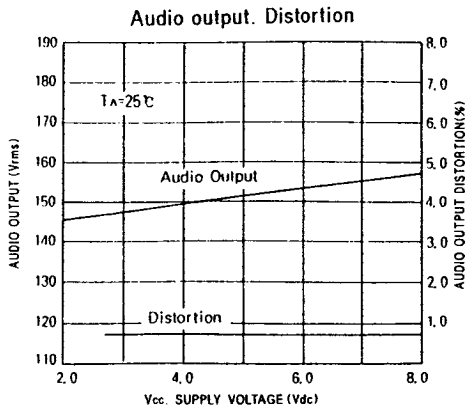


# DBL 5018

## APPLICATION CIRCUIT

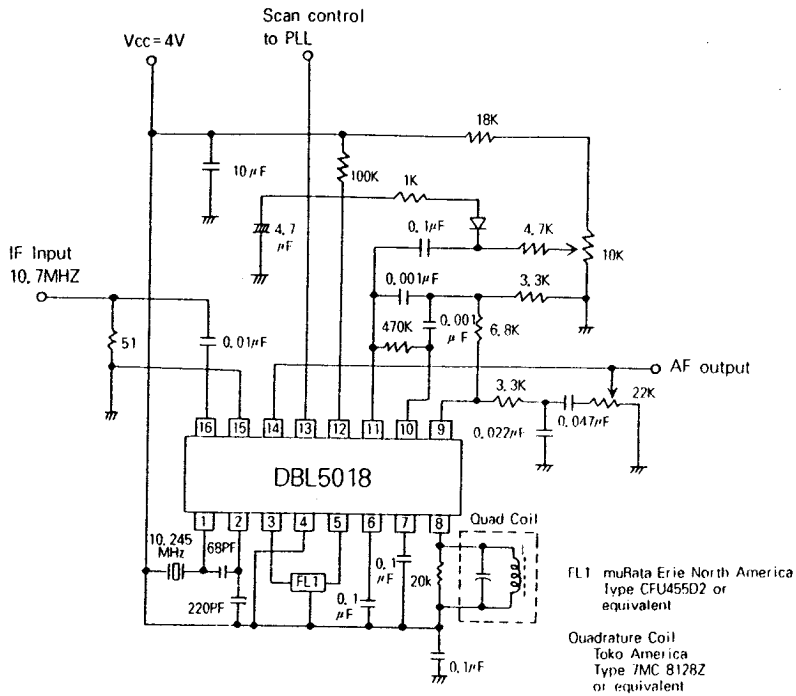


## TYPICAL PERFORMANCE CHARACTERISTICS

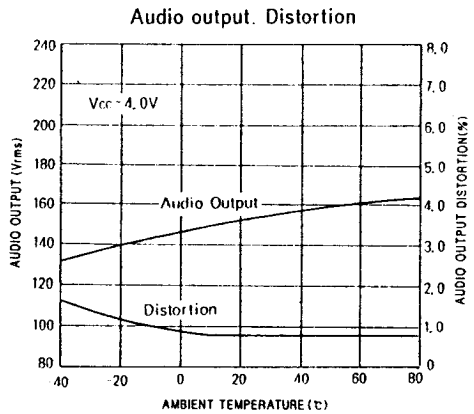
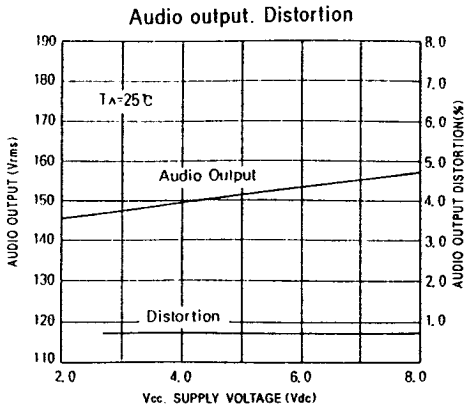


# DBL 5018

## APPLICATION CIRCUIT



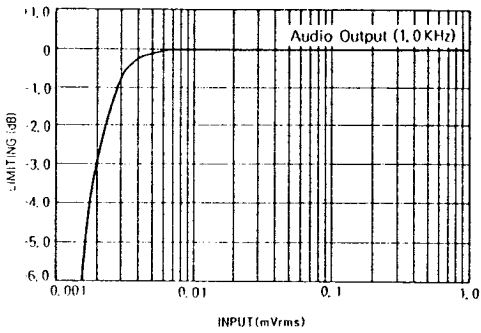
## TYPICAL PERFORMANCE CHARACTERISTICS



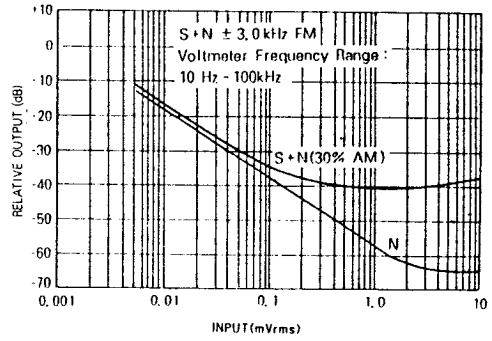
# DBL 5018

## □ TYPICAL PERFORMANCE CHARACTERISTICS

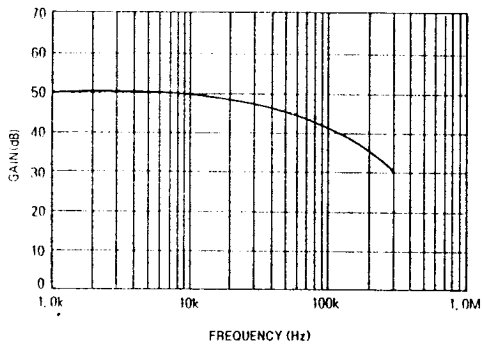
Input Limiting Voltage



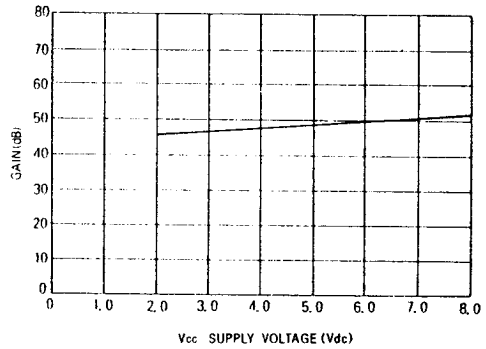
Overall Gain, Noise, and A.M. Rejection



Filter AMP Response



Filter AMP Gain



Supply Current

