

# TDA4864J; TDA4864AJ

## Vertical deflection booster

Rev. 01 — 12 August 2004

Product data sheet

## 1. General description

The TDA4864J and TDA4864AJ are deflection boosters for use in vertical deflection systems for frame frequencies up to 200 Hz.

The TDA4864J needs a separate flyback supply voltage, so the supply voltages are independently adjustable to optimize power consumption and flyback time.

For the TDA4864AJ the flyback supply voltage will be generated internally by doubling the supply voltage and therefore a separate flyback supply voltage is not needed.

Both circuits provide differential input stages.

## 2. Features

- Power amplifier with differential inputs
- Output current up to 2.5 A (p-p)
- High vertical deflection frequency up to 200 Hz
- High linear sawtooth signal amplification
- Flyback generator:
  - ◆ TDA4864J: separate adjustable flyback supply voltage up to 60 V
  - ◆ TDA4864AJ: internally doubled supply voltage (two supply voltages only for DC-coupled outputs).

## 3. Quick reference data

**Table 1: Quick reference data**  
Measurements referenced to pin GND.

Symbol	Parameter	Conditions	Min	Typ	Max	Unit
$V_{P1}$	supply voltage 1		9	-	30	V
$V_{P2}$	supply voltage 2 for vertical output		$V_{P1} - 1$	-	60	V
$V_{FB}$	flyback supply voltage of TDA4864J		$V_{P1} - 1$	-	60	V
$V_{P3}$	flyback generator output voltage of TDA4864AJ	$I_{VOUT} = -1.25$ A	0	-	$V_{P1} + 2.2$	V
$V_i$	input voltage on					
	pin INN		1.6	-	$V_{P1} - 0.5$	V
	pin INP		1.6	-	$V_{P1} - 0.5$	V
$I_{P1}$	supply current 1	during scan	-	6	10	mA

**PHILIPS**

**Table 1: Quick reference data ...continued**  
Measurements referenced to pin GND.

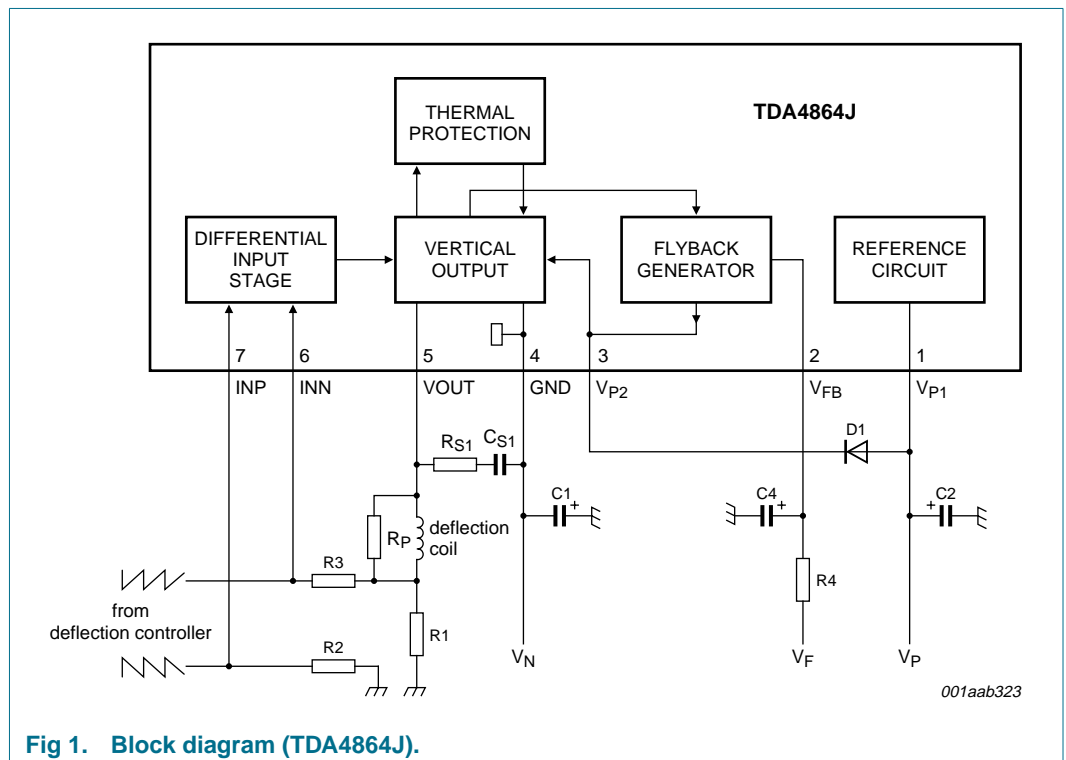
Symbol	Parameter	Conditions	Min	Typ	Max	Unit
$I_{P2}$	quiescent supply current 2	$I_{VOUT} = 0$	-	25	60	mA
$I_{VOUT(p-p)}$	vertical deflection output current (peak-to-peak value)		-	-	2.5	A
$T_{amb}$	ambient temperature		-20	-	+75	°C

### 4. Ordering information

**Table 2: Ordering information**

Type number	Package		Version
	Name	Description	
TDA4864J	DBS7P	plastic DIL-bent-SIL power package; 7 leads	SOT524-1
TDA4864AJ		(lead length 12/11 mm); exposed die pad	

### 5. Block diagram



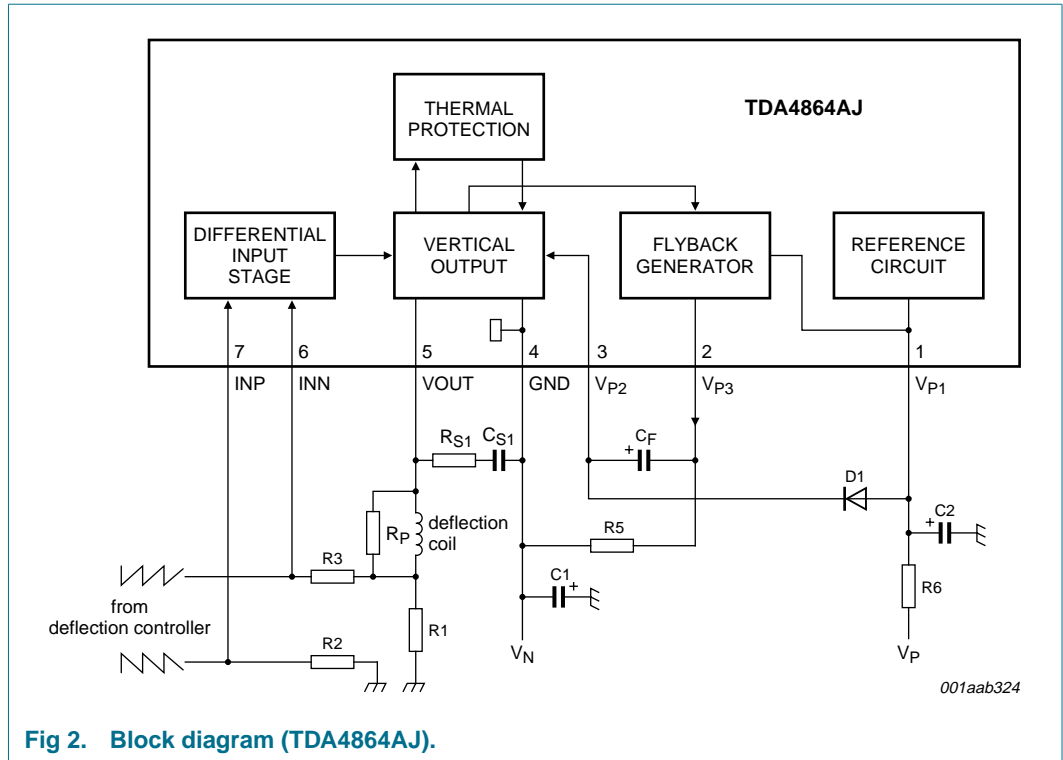
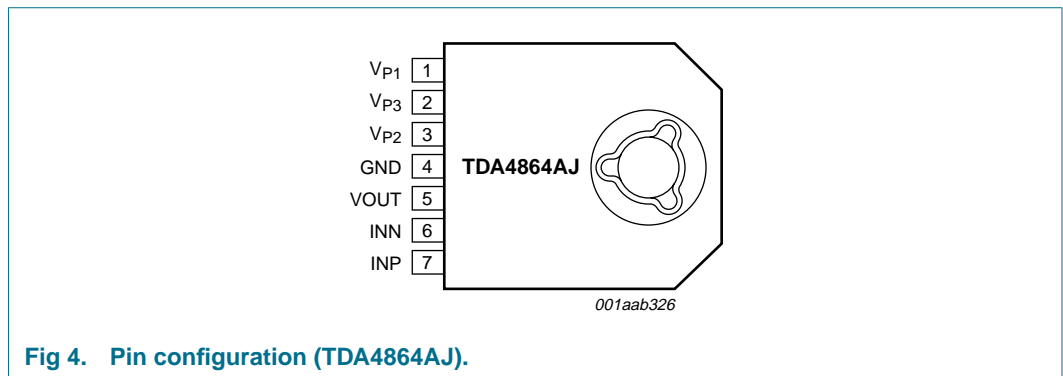
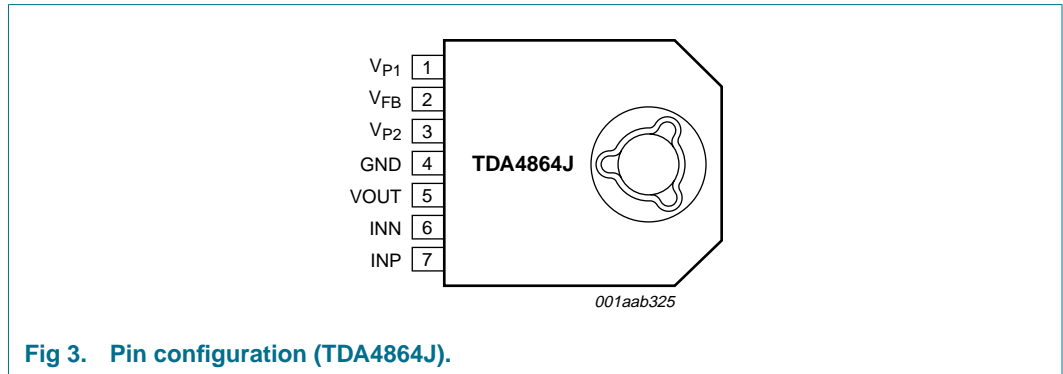


Fig 2. Block diagram (TDA4864AJ).

## 6. Pinning information

### 6.1 Pinning



### 6.2 Pin description

**Table 3: Pin description**

Symbol	Pin		Description
	TDA4864J	TDA4864AJ	
V <sub>P1</sub>	1	1	positive supply voltage 1
V <sub>FB</sub>	2	-	flyback supply voltage
V <sub>P3</sub>	-	2	flyback generator output
V <sub>P2</sub>	3	3	supply voltage 2 for vertical output
GND	4	4	ground or negative supply voltage
V <sub>OUT</sub>	5	5	vertical output
INN	6	6	inverted input of differential input stage
INP	7	7	non-inverted input of differential input stage

## 7. Functional description

Both the TDA4864J and TDA4864AJ consist of a differential input stage, a vertical output stage, a flyback generator, a reference circuit and a thermal protection circuit.

The TDA4864J operates with a separate flyback supply voltage (see [Figure 1](#)) while the TDA4864AJ generates the flyback voltage internally by doubling the supply voltage (see [Figure 2](#)).

### 7.1 Differential input stage

The differential sawtooth input current signal (from the deflection controller) is connected to the inputs (inverted signal to pin INN and non-inverted signal to pin INP). The vertical feedback signal is superimposed on the inverted signal on pin INN.

### 7.2 Vertical output and thermal protection

The vertical output stage is a quasi-complementary class-B amplifier with a high linearity.

The output stage is protected against thermal overshoots. For a junction temperature of  $T_j > 150\text{ }^\circ\text{C}$  the protection will be activated and will reduce the deflection current ( $I_{\text{VOUT}}$ ).

### 7.3 Flyback generator

The flyback generator supplies the vertical output stage during flyback.

The TDA4864J is used with a separate flyback supply voltage to achieve a short flyback time with minimized power dissipation.

The TDA4864AJ needs a capacitor ( $C_F$ ) connected between pins  $V_{P3}$  and  $V_{P2}$  (see [Figure 2](#)). Capacitor  $C_F$  is charged during scan, using the external diode D1 and resistor R5. During flyback the cathode of capacitor  $C_F$  is connected to the positive supply voltage and the flyback voltage is then twice the supply voltage. For the TDA4864AJ the resistor R6 in the positive supply line can be used to reduce the power consumption.

In parallel with the deflection coil a damping resistor  $R_P$  and an RC combination ( $R_{S1} = 5.6\ \Omega$  and  $C_{S1} = 100\ \text{nF}$ ) are needed. Furthermore, another additional RC combination ( $R_{S2} = 5.6\ \Omega$  and  $C_{S2} = 47\ \text{nF}$  to  $150\ \text{nF}$ ) can be used to minimize the noise effect and the flyback time (see [Figure 7](#) and [8](#)).

8. Internal circuitry

Table 4: Internal circuitry

Pin	Symbol	Internal circuits
<b>TDA4864J</b>		
1	V <sub>P1</sub>	
2	V <sub>FB</sub>	
3	V <sub>P2</sub>	
4	GND	
5	V <sub>OUT</sub>	
6	INN	
7	INP	
<b>TDA4864AJ</b>		
1	V <sub>P1</sub>	
2	V <sub>P3</sub>	
3	V <sub>P2</sub>	
4	GND	
5	V <sub>OUT</sub>	
6	INN	
7	INP	

001aab328

001aab329

## 9. Limiting values

**Table 5: Limiting values**

In accordance with the Absolute Maximum Rating System (IEC 60134). Voltages referenced to pin GND; unless otherwise specified.

Symbol	Parameter	Conditions	Min	Max	Unit
$V_{P1}$	supply voltage 1		-	40	V
$V_{P2}$	supply voltage 2		-	60	V
$V_{FB}$	flyback supply voltage of TDA4864J		-	60	V
$V_{P3}$	flyback generator output voltage of TDA4864AJ		0	$V_{P1} + 3$	V
$V_i$	input voltage on				
	pin INN		-	$V_{P1}$	V
	pin INP		-	$V_{P1}$	V
$V_{O(VOUT)}$	output voltage on pin VOUT		-	62	V
$I_{P2}$	supply current 2		-	$\pm 1.5$	A
$I_{O(VOUT)}$	output current on pin VOUT	[1]	-	$\pm 1.5$	A
$I_{VFB}$	current during flyback of TDA4864J		-	$\pm 1.5$	A
$I_{VP3}$	current during flyback of TDA4864AJ		-	$\pm 1.5$	A
$T_{stg}$	storage temperature		-25	+150	°C
$T_{amb}$	ambient temperature		-20	+75	°C
$T_j$	junction temperature	[1]	-	150	°C
$V_{esd}$	electrostatic discharge voltage on all pins	[2]	-300	+300	V

[1] Internally limited by thermal protection; will be activated for  $T_j \geq 150$  °C.

[2] Equivalent to discharging a 200 pF capacitor through a 0  $\Omega$  series resistor.

## 10. Thermal characteristics

**Table 6: Thermal characteristics**

Symbol	Parameter	Conditions	Typ	Unit
$R_{th(j-mb)}$	thermal resistance from junction to mounting base		[1] 6	K/W

[1] To minimize the thermal resistance from mounting base to heatsink [ $R_{th(mb-h)}$ ] follow the recommended mounting instruction: screw mounting preferred; torque = 40 Ncm; use heatsink compound; isolation plate increases  $R_{th(mb-h)}$ .

## 11. Characteristics

**Table 7: Characteristics**
 $V_{P1} = 25 \text{ V}$ ;  $T_{amb} = 25 \text{ }^\circ\text{C}$ ; voltages referenced to pin GND; unless otherwise specified.

Symbol	Parameter	Conditions	Min	Typ	Max	Unit
<b>Supplies</b>						
$V_{P1}$	supply voltage 1		9	-	30	V
$V_{P2}$	supply voltage 2		$V_{P1} - 1$	-	60	V
$V_{FB}$	flyback supply voltage of TDA4864J		$V_{P1} - 1$	-	60	V
$V_{P3}$	flyback generator output voltage of TDA4864AJ	$I_{VOUT} = -1.25 \text{ A}$	0	-	$V_{P1} + 2.2$	V
$I_{P1}$	supply current 1	during scan	-	6	10	mA
$I_{P2}$	quiescent supply current 2	$I_{VOUT} = 0$	-	25	60	mA
<b>Differential input stage</b>						
$V_i$	input voltage on					
	pin INN		1.6	-	$V_{P1} - 0.5$	V
	pin INP		1.6	-	$V_{P1} - 0.5$	V
$I_q$	input quiescent current on					
	pin INN		-	-100	-500	nA
	pin INP		-	-100	-500	nA
<b>Flyback generator</b>						
$I_{VFB}$	current during flyback of TDA4864J		-	-	$\pm 1.5$	A
$I_{VP3}$	current during flyback of TDA4864AJ		-	-	$\pm 1.5$	A
$V_{VP2-VFB}$	voltage drop during flyback of TDA4864J					
	reverse	$I_{VOUT} = -1 \text{ A}$	-	-1.5	-	V
		$I_{VOUT} = -1.25 \text{ A}$	-	-2	-	V
	forward	$I_{VOUT} = 1 \text{ A}$	-	2.2	-	V
		$I_{VOUT} = 1.25 \text{ A}$	-	2.5	-	V
$V_{VP3-VP1}$	voltage drop during flyback of TDA4864AJ					
	reverse	$I_{VOUT} = -1 \text{ A}$	-	-1.5	-	V
		$I_{VOUT} = -1.25 \text{ A}$	-	-2	-	V
	forward	$I_{VOUT} = 1 \text{ A}$	-	2.2	-	V
		$I_{VOUT} = 1.25 \text{ A}$	-	2.5	-	V
<b>Vertical output stage; see Figure 5</b>						
$I_{VOUT}$	vertical deflection output current		-	-	$\pm 1.25$	A
$I_{VOUT(p-p)}$	vertical deflection output current (peak-to-peak value)		-	-	2.5	A
$V_{o(sat)n}$	output saturation voltage to ground	$I_{VOUT} = 1 \text{ A}$	-	1.4	1.7	V
		$I_{VOUT} = 1.25 \text{ A}$	-	1.8	2.3	V

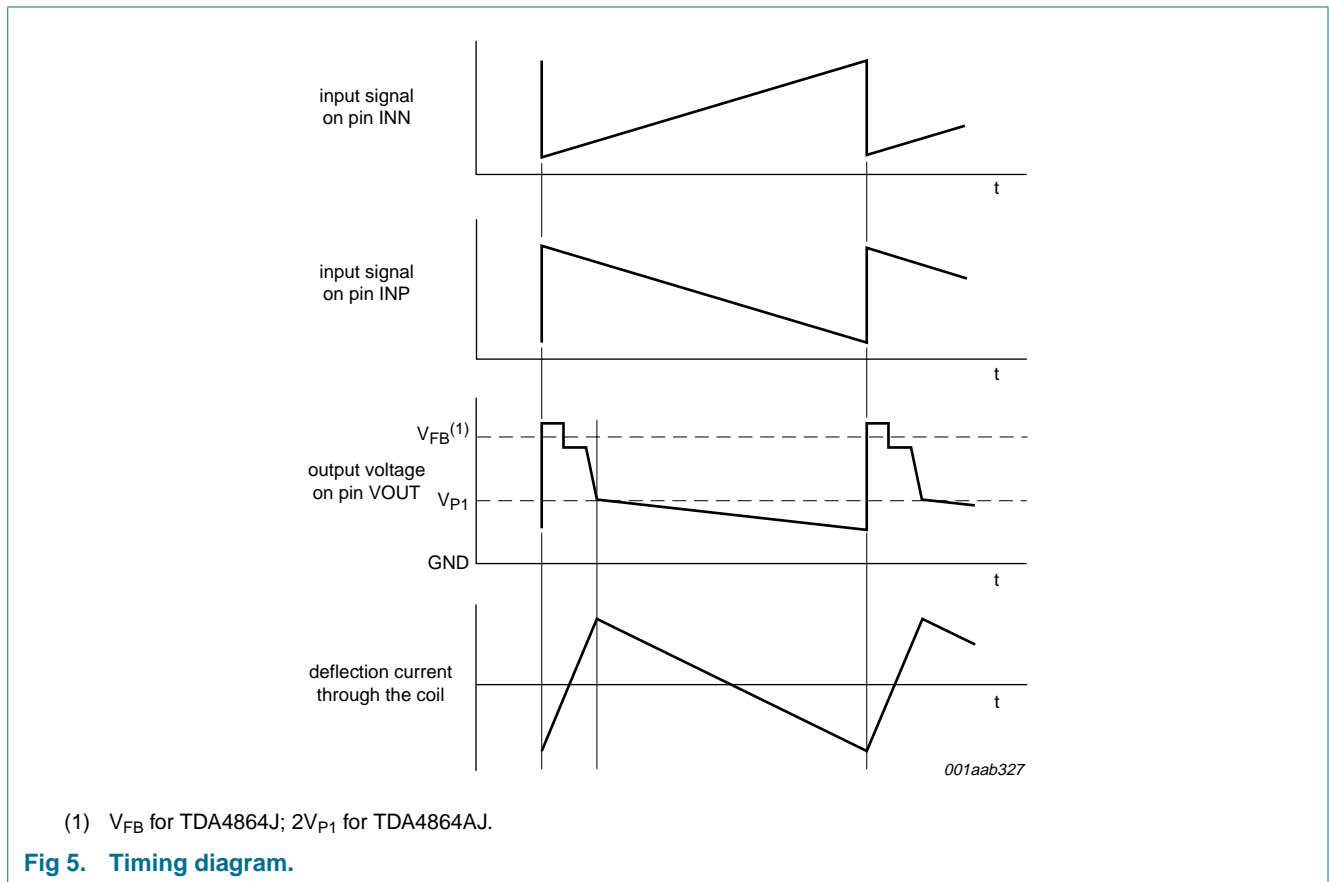


**Table 7: Characteristics ...continued**

$V_{P1} = 25\text{ V}$ ;  $T_{amb} = 25\text{ }^\circ\text{C}$ ; voltages referenced to pin GND; unless otherwise specified.

Symbol	Parameter	Conditions	Min	Typ	Max	Unit
$V_{o(sat)p}$	output saturation voltage to $V_{P2}$	$I_{VOUT} = 1\text{ A}$	-2.3	-2	-	V
		$I_{VOUT} = 1.25\text{ A}$	-2.8	-2.3	-	V
LIN	non-linearity of output signal		[1]	-	1	%

[1] Deviation of the output slope at a constant input slope.



## 12. Application information

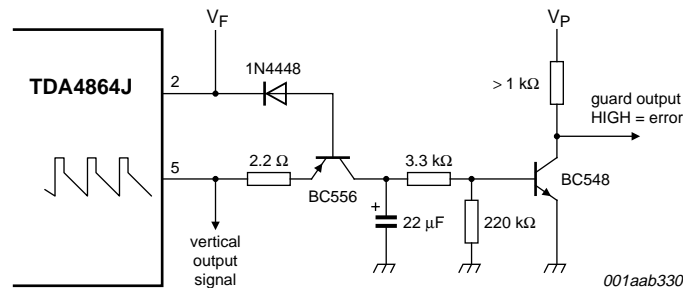
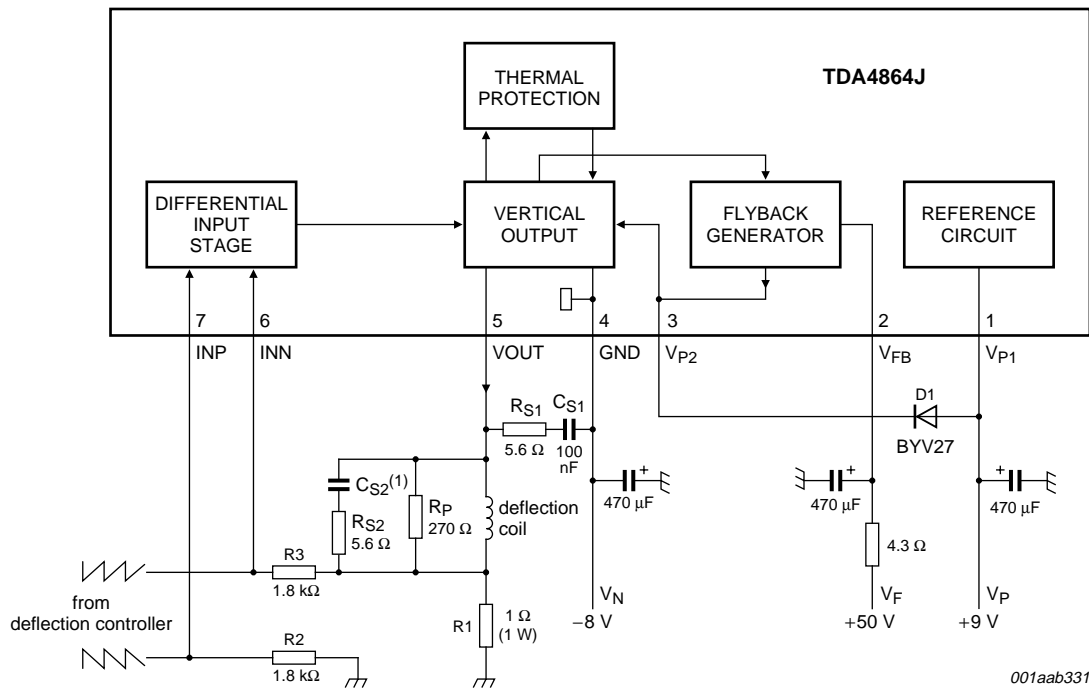


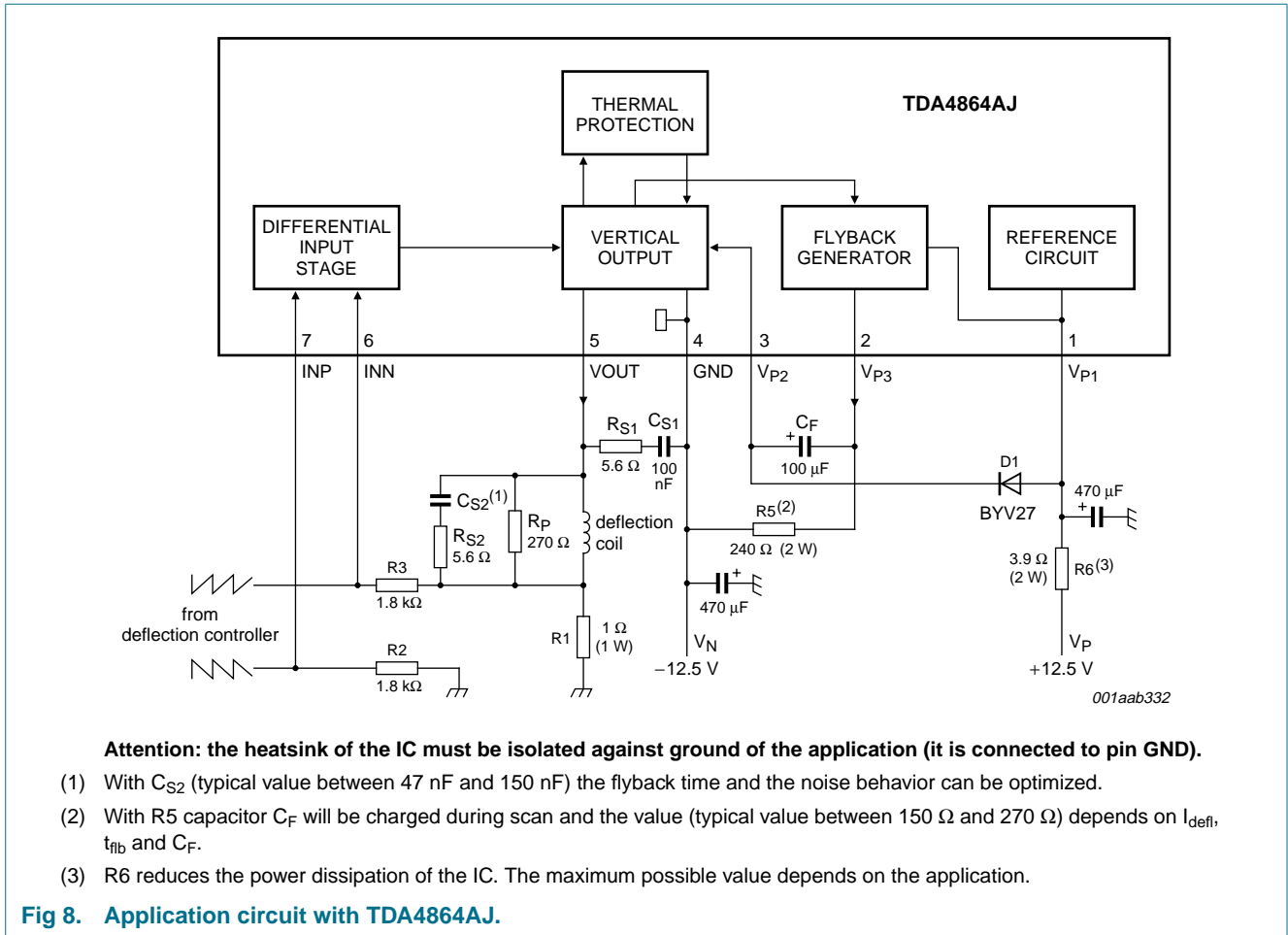
Fig 6. Application circuit with TDA4864J for external guard signal generation.



**Attention: the heatsink of the IC must be isolated against ground of the application (it is connected to pin GND).**

(1) With  $C_{S2}$  (typical value between 47 nF and 150 nF) the flyback time and the noise behavior can be optimized.

Fig 7. Application circuit with TDA4864J.



### 12.1 Example for both TDA4864J and TDA4864AJ

Table 8: Values given from application

Symbol	Value	Unit
$I_{defl(max)}$	0.71	A
$L_{defcoil}$	6	mH
$R_{defcoil}$	6	Ω
$R_P$	270	Ω
R1	1	Ω
R2	1.8	kΩ
R3	1.8	kΩ
$V_{FB}$ [1]	50	V
$T_{amb}$	60	°C
$T_{defcoil}$	75	°C
$R_{th(j-mb)}$	6	K/W
$R_{th(mb-amb)}$	8	K/W

[1] For TDA4864J only.

Table 9: Calculated values

Symbol	Value		Unit
	TDA4864J	TDA4864AJ	
$V_{P1}$	9	12.5	V
$V_N$	-8	-12.5	V
$P_{tot}$	3.2	4.4	W
$P_{defl}$	1.2	1.2	W
$P_{IC}$	2	3.2	W
$R_{th(tot)}$	14	14	K/W
$T_{j(max)}$	88	105	°C

$V_{P1}$ ,  $V_N$  and  $V_{FB}$  are referenced to ground of application; voltages are calculated with +10 % tolerances.

The calculation formulae for supply voltages are as follows:

$$V_{P1} = -V_{o(sat)p} + (R1 + R_{deflcoil}) \times I_{defl(max)} - U'_L + U_{D1}$$

$$V_N = V_{o(sat)n} + (R1 + R_{deflcoil}) \times I_{defl(max)} + U'_L$$

where:

$$U'_L = L_{deflcoil} \times 2I_{defl(max)} \times f_v$$

$f_v$  = vertical deflection frequency

$U_{D1}$  = forward voltage drop across D1.

The calculation formulae for power consumption is:

$$P_{IC} = P_{tot} - P_{defl}$$

$$P_{tot} = (V_{P1} - U_{D1}) \times \frac{I_{defl(max)}}{4} + V_N \times \frac{I_{defl(max)}}{4} + (V_{P1} - V_N) \times 0.01 \text{ A} + 0.2 \text{ W}$$

$$P_{defl} = \frac{R_{deflcoil} + R1}{3} \times I_{defl(max)}^2$$

where:

$P_{IC}$  = power dissipation of the IC

$P_{tot}$  = total power dissipation

$P_{defl}$  = power dissipation of the deflection coil.

Calculation formulae for maximum required thermal resistance for the heatsink at

$T_{j(max)} = 110 \text{ °C}$ :

$$R_{th(mb-amb)} = \left( \frac{T_{j(max)} - T_{amb}}{P_{IC}} \right) - R_{th(j-mb)} = 19 \text{ K/W (max.)}$$

Table 10:  $t_{\text{flb}}$  as a function of  $V_{\text{FB}}$  for TDA4864J

$t_{\text{flb}}$ ( $\mu\text{s}$ )	$V_{\text{FB}}$ (V)
350	30
250	40
210	50

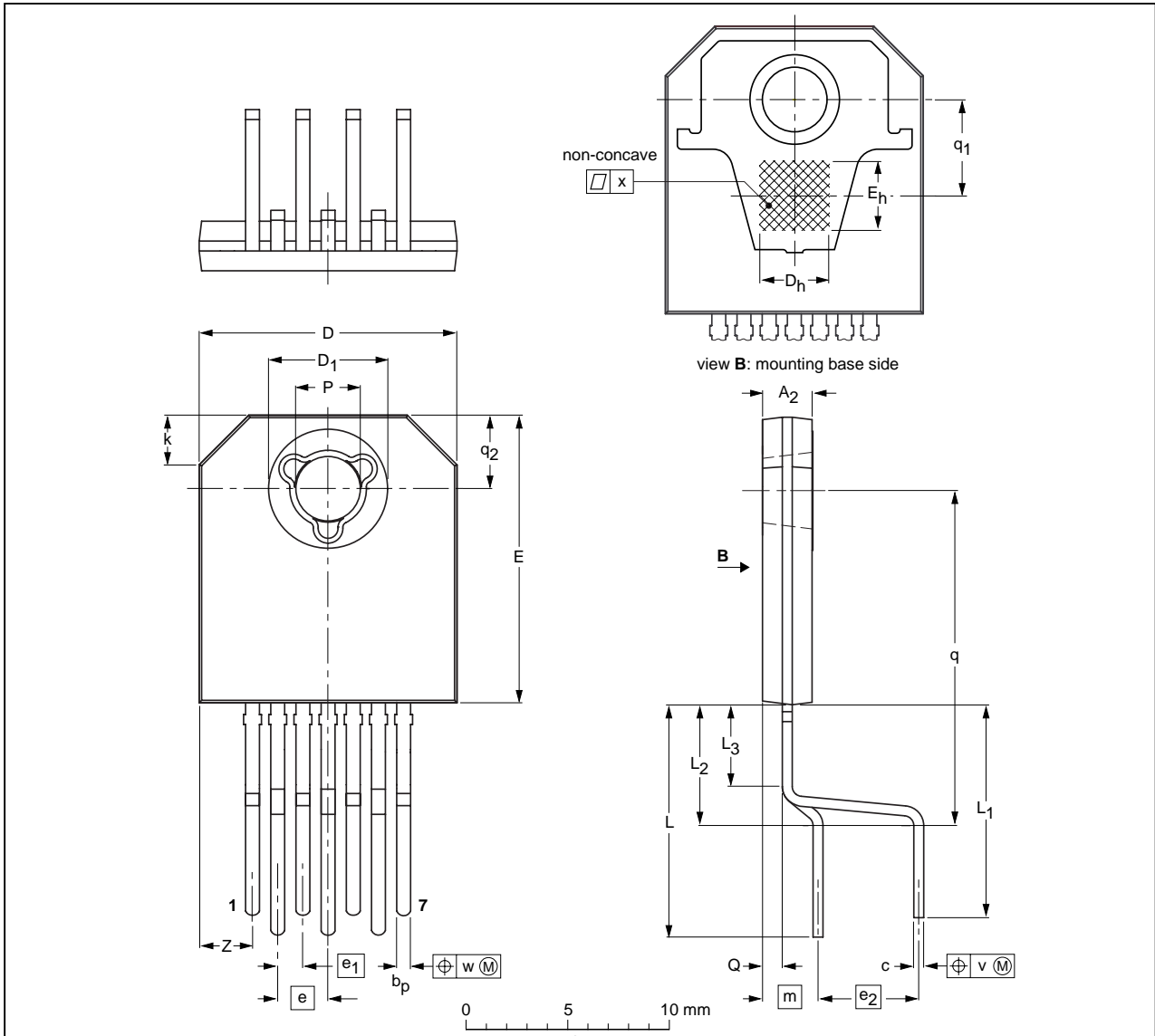
Table 11:  $t_{\text{flb}}$  as a function of  $V_{\text{P1}}$  and  $V_{\text{N}}$  for TDA4864AJ

$t_{\text{flb}}$ ( $\mu\text{s}$ )	$V_{\text{P1}}$ (V)	$V_{\text{N}}$ (V)	$P_{\text{IC}}$ (W)	$R_6$ ( $\Omega$ )
360	+10	-10	+2.5	+1
290	+12.5	-12.5	+3.2	+3.9
240	+15	-15	+3.9	+6.8

13. Package outline

DBS7P: plastic DIL-bent-SIL power package; 7 leads (lead length 12/11 mm); exposed die pad SOT524-1

SOT524-1



DIMENSIONS (mm are the original dimensions)

UNIT	A <sub>2</sub> <sup>(2)</sup>	b <sub>p</sub>	c	D <sup>(1)</sup>	D <sub>1</sub> <sup>(2)</sup>	D <sub>h</sub>	E <sup>(1)</sup>	E <sub>h</sub>	e	e <sub>1</sub>	e <sub>2</sub>	k	L	L <sub>1</sub>	L <sub>2</sub>	L <sub>3</sub>	m	P	Q	q	q <sub>1</sub>	q <sub>2</sub>	v	w	x	Z <sup>(1)</sup>
mm	2.7 2.3	0.80 0.65	0.58 0.48	13.2 12.8	6.2 5.8	3.5	14.7 14.3	3.5	2.54	1.27	5.08	3 2	12.4 11.0	11.4 10.0	6.7 5.5	4.5 3.7	2.8	3.4 3.1	1.15 0.85	17.5 16.3	4.85	3.8 3.6	0.8	0.3	0.02	2.92 2.37

Notes

1. Plastic or metal protrusions of 0.25 mm maximum per side are not included.
2. Plastic surface within circle area D<sub>1</sub> may protrude 0.04 mm maximum.

OUTLINE VERSION	REFERENCES				EUROPEAN PROJECTION	ISSUE DATE
	IEC	JEDEC	JEITA			
SOT524-1						00-07-03- 03-03-12

Fig 9. Package outline.

## 14. Soldering

### 14.1 Introduction to soldering through-hole mount packages

This text gives a brief insight to wave, dip and manual soldering. A more in-depth account of soldering ICs can be found in our *Data Handbook IC26; Integrated Circuit Packages* (document order number 9398 652 90011).

Wave soldering is the preferred method for mounting of through-hole mount IC packages on a printed-circuit board.

### 14.2 Soldering by dipping or by solder wave

Driven by legislation and environmental forces the worldwide use of lead-free solder pastes is increasing. Typical dwell time of the leads in the wave ranges from 3 seconds to 4 seconds at 250 °C or 265 °C, depending on solder material applied, SnPb or Pb-free respectively.

The total contact time of successive solder waves must not exceed 5 seconds.

The device may be mounted up to the seating plane, but the temperature of the plastic body must not exceed the specified maximum storage temperature ( $T_{stg(max)}$ ). If the printed-circuit board has been pre-heated, forced cooling may be necessary immediately after soldering to keep the temperature within the permissible limit.

### 14.3 Manual soldering

Apply the soldering iron (24 V or less) to the lead(s) of the package, either below the seating plane or not more than 2 mm above it. If the temperature of the soldering iron bit is less than 300 °C it may remain in contact for up to 10 seconds. If the bit temperature is between 300 °C and 400 °C, contact may be up to 5 seconds.

### 14.4 Package related soldering information

**Table 12: Suitability of through-hole mount IC packages for dipping and wave soldering methods**

Package	Soldering method	
	Dipping	Wave
CPGA, HCPGA	–	suitable
DBS, DIP, HDIP, RDBS, SDIP, SIL	suitable	suitable <sup>[1]</sup>
PMFP <sup>[2]</sup>	–	not suitable

[1] For SDIP packages, the longitudinal axis must be parallel to the transport direction of the printed-circuit board.

[2] For PMFP packages hot bar soldering or manual soldering is suitable.

## 15. Revision history

Table 13: Revision history

Document ID	Release date	Data sheet status	Change notice	Order number	Supersedes
TDA4864J_TDA4864AJ_1	20040812	Product data sheet	-	9397 750 13441	-



## 16. Data sheet status

Level	Data sheet status <sup>[1]</sup>	Product status <sup>[2]</sup> <sup>[3]</sup>	Definition
I	Objective data	Development	This data sheet contains data from the objective specification for product development. Philips Semiconductors reserves the right to change the specification in any manner without notice.
II	Preliminary data	Qualification	This data sheet contains data from the preliminary specification. Supplementary data will be published at a later date. Philips Semiconductors reserves the right to change the specification without notice, in order to improve the design and supply the best possible product.
III	Product data	Production	This data sheet contains data from the product specification. Philips Semiconductors reserves the right to make changes at any time in order to improve the design, manufacturing and supply. Relevant changes will be communicated via a Customer Product/Process Change Notification (CPCN).

[1] Please consult the most recently issued data sheet before initiating or completing a design.

[2] The product status of the device(s) described in this data sheet may have changed since this data sheet was published. The latest information is available on the Internet at URL <http://www.semiconductors.philips.com>.

[3] For data sheets describing multiple type numbers, the highest-level product status determines the data sheet status.

## 17. Definitions

**Short-form specification** — The data in a short-form specification is extracted from a full data sheet with the same type number and title. For detailed information see the relevant data sheet or data handbook.

**Limiting values definition** — Limiting values given are in accordance with the Absolute Maximum Rating System (IEC 60134). Stress above one or more of the limiting values may cause permanent damage to the device. These are stress ratings only and operation of the device at these or at any other conditions above those given in the Characteristics sections of the specification is not implied. Exposure to limiting values for extended periods may affect device reliability.

**Application information** — Applications that are described herein for any of these products are for illustrative purposes only. Philips Semiconductors make no representation or warranty that such applications will be suitable for the specified use without further testing or modification.

## 18. Disclaimers

**Life support** — These products are not designed for use in life support appliances, devices, or systems where malfunction of these products can reasonably be expected to result in personal injury. Philips Semiconductors customers using or selling these products for use in such applications do so at their own risk and agree to fully indemnify Philips Semiconductors for any damages resulting from such application.

**Right to make changes** — Philips Semiconductors reserves the right to make changes in the products - including circuits, standard cells, and/or software - described or contained herein in order to improve design and/or performance. When the product is in full production (status 'Production'), relevant changes will be communicated via a Customer Product/Process Change Notification (CPCN). Philips Semiconductors assumes no responsibility or liability for the use of any of these products, conveys no license or title under any patent, copyright, or mask work right to these products, and makes no representations or warranties that these products are free from patent, copyright, or mask work right infringement, unless otherwise specified.

## 19. Contact information

For additional information, please visit: <http://www.semiconductors.philips.com>

For sales office addresses, send an email to: [sales.addresses@www.semiconductors.philips.com](mailto:sales.addresses@www.semiconductors.philips.com)

20. Contents

1 General description . . . . . 1

2 Features . . . . . 1

3 Quick reference data . . . . . 1

4 Ordering information . . . . . 2

5 Block diagram . . . . . 2

6 Pinning information . . . . . 4

6.1 Pinning . . . . . 4

6.2 Pin description . . . . . 4

7 Functional description . . . . . 5

7.1 Differential input stage . . . . . 5

7.2 Vertical output and thermal protection . . . . . 5

7.3 Flyback generator . . . . . 5

8 Internal circuitry . . . . . 6

9 Limiting values . . . . . 7

10 Thermal characteristics . . . . . 7

11 Characteristics . . . . . 8

12 Application information . . . . . 10

12.1 Example for both TDA4864J and TDA4864AJ . . . . . 11

13 Package outline . . . . . 14

14 Soldering . . . . . 15

14.1 Introduction to soldering through-hole mount packages . . . . . 15

14.2 Soldering by dipping or by solder wave . . . . . 15

14.3 Manual soldering . . . . . 15

14.4 Package related soldering information . . . . . 15

15 Revision history . . . . . 16

16 Data sheet status . . . . . 17

17 Definitions . . . . . 17

18 Disclaimers . . . . . 17

19 Contact information . . . . . 17



© Koninklijke Philips Electronics N.V. 2004

All rights are reserved. Reproduction in whole or in part is prohibited without the prior written consent of the copyright owner. The information presented in this document does not form part of any quotation or contract, is believed to be accurate and reliable and may be changed without notice. No liability will be accepted by the publisher for any consequence of its use. Publication thereof does not convey nor imply any license under patent- or other industrial or intellectual property rights.

Date of release: 12 August 2004  
 Document order number: 9397 750 13441

Published in The Netherlands