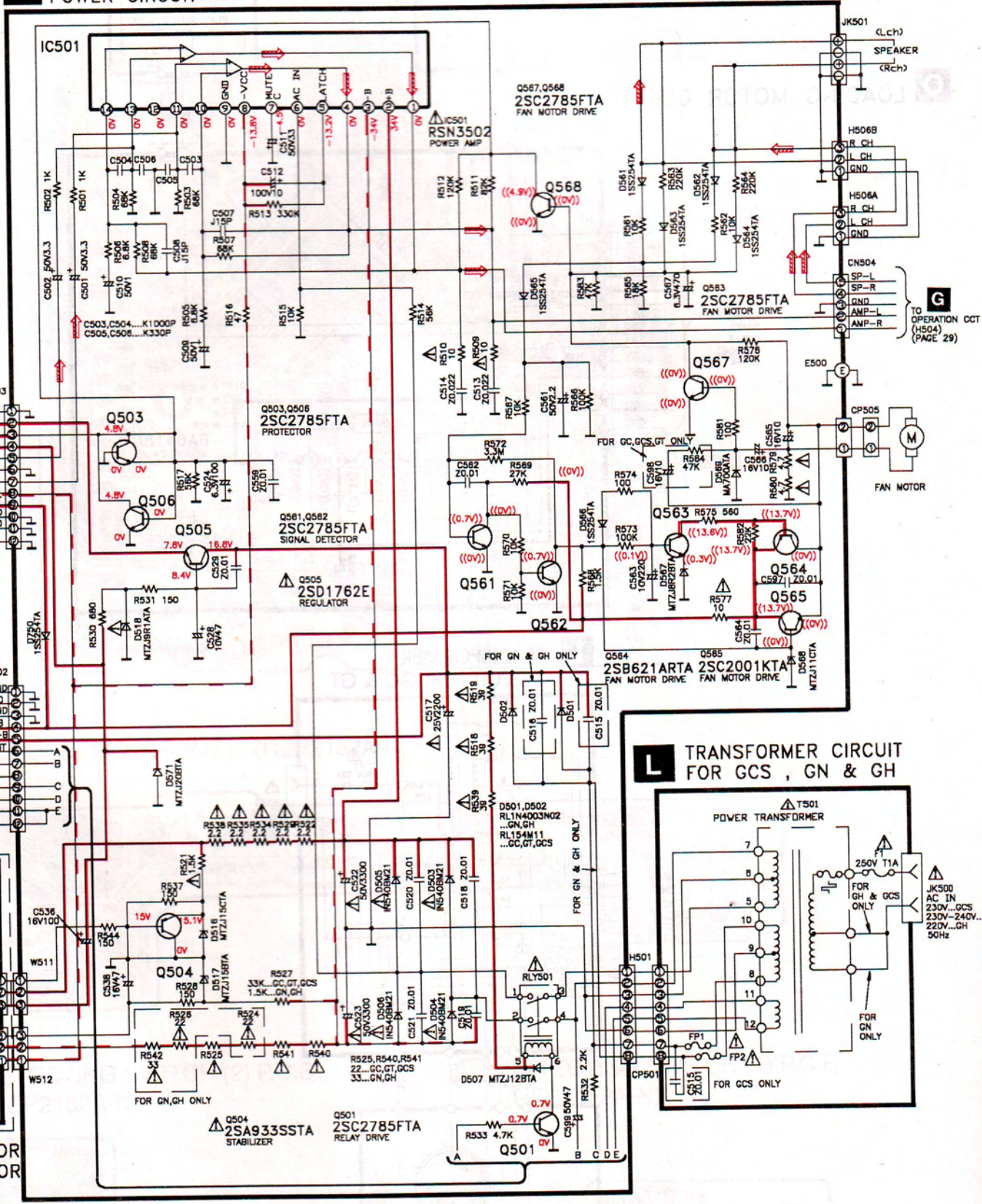


K POWER CIRCUIT



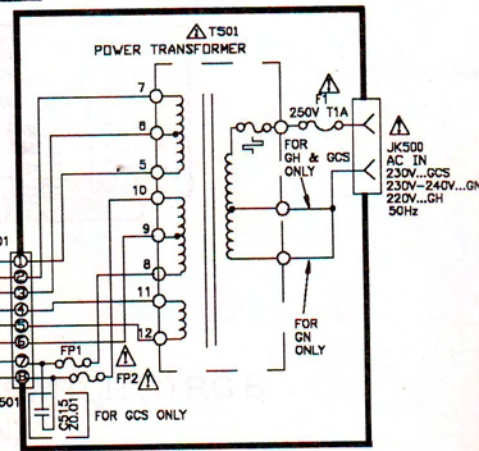
TO MAIN CIRCUIT (CP503) (PAGE 41)

TO MAIN CIRCUIT (CP502) (PAGE 41)

FOR GN/GH : TO BE FOUND IN CIRCUIT

Q REGULATOR TRANSISTOR CIRCUIT

L TRANSFORMER CIRCUIT FOR GCS, GN & GH



TO OPERATION CCT (H504) (PAGE 29)