

HIGH SPEED RECTIFIER DIODES (Ta=25°C)

Parts No.	Maximum ratings				Electrical characteristics				Fig. No.	Remarks
	V _{RM} (V)	I _o (A)	I _{FSM} (A)	Tstg (°C)	V _F (V)		I _R (μA)	t _{rr} (μs)		
					max	Condi- tion I _F (A)				
EU02Z	200									
02	400	1.0‡	15	-40~+140	1.4	1.0	10	0.4	5	
02A	600									
EU 2Z	200									
2	400	1.0	15	-40~+140	1.4	1.0	10	0.4	4	
2A	600									
EU 2YX	100	1.2	25	-40~+140	0.9	1.2	10	0.2	4	
RU 2M	400	1.1	20	-40~+130	1.2	1.1	10	0.4	3	
2AM	600									
RU 2YX	100	1.5	30	-40~+140	0.95	1.5	10	0.2	4	
RU 3	400	1.5	20	-40~+130	1.5	1.5	10	0.4	6	
3A	600									
RU 3M	400	1.5	50	-40~+130	1.1	1.5	10	0.4	6	
3AM	600									
RU 3YX	100	2.0	50	-40~+140	0.95	2.0	10	0.2	6	
RU 30	400	2.0	200	-40~+150	0.95	2.0	10	0.4	7	
RU 30A	600									
RU 4Y	100	3.5‡	70		1.3	3.5				
4Z	200									
4	400						10			
4A	600	3.0‡		-40~+150	1.5	3.0		0.4	8	
4B	800									
4C	1000	2.5‡			1.6					
4D	1300	1.5‡			1.8	1.5	50			
4DS	1300	2.5‡				3.0				
RU 4M	400	3.5‡	70	-40~+150	1.3	3.5	10	0.4	8	
RU 4AM	600									
RU 4YX	100	4.0‡	100	-40~+150	0.85	2.0	10	0.2	8	
RS 3FS	1500	2.0	50	-40~+150	1.1	3.0	50	2.0	7	
RS 4FS	1500	2.5‡	50	-40~+150	1.5	3.0	50	1.0	8	
RH 4F						2.5	10	4.0		
RP 1H	2000	0.1	5	-40~+140	7.0	0.1	20	0.5	3	
CTU-G2DR	1300	4.0‡	40	-40~+140	2.0	4.0	100	0.4	28	
CTU-G3DR	1300	6.0	60	-40~+140	2.0	6.0	100	0.4	29	
FMP-G3FS	1500	5.0	50	-40~+150	1.5	5	50	0.7	30	Full-mold
FMS-3FU	600	5.0	50	-40~+150	1.3		50	0.4	35	Full-mold
	1500				1.8	5.0		1.5		

*With fin

HIGH SPEED RECTIFIER DIODES
(CENTER TAP TYPE)

Parts No.	Maximum ratings				Electrical characteristics				Fig. No.	Remarks
	V _{RM} (V)	I _o (A)	I _{FSM} (A)	Tstg (°C)	V _F (V)		I _R (μA)	t _{rr} (μs)		
					max	Condi- tion I _F (A)				
CTU-12S	200									
-12R										
-14S	400	6.0	30	-40~+140	2.0	3.0	50	0.4	13	
-14R										
-16S	600									
-16R										
CTU-21S	100									
-21R										
-22S	200	8.0	40	-40~+140	2.0	5.0	50	0.4	13	
-22R										
-24S	400									
-24R										
-26S	600									
-26R										
CTU-31S	100									
-31R										
-32S	200	12	80	-40~+140	1.0	10	10	0.4	14	
-32R										
-34S	400									
-34R										
-36S	600									
-36R										
FMU-12S	200									
-12R										
-14S	400	5.0	30	-40~+150	1.5	2.5	50	0.4	15	Full-mold
-14R										
-16S	600									
-16R										
FMU-21S	100									
-21R										
-22S	200	10	40	-40~+150	1.5	5	50	0.4	15	Full-mold
-22R										
-24S	400									
-24R										
-26S	600									
-26R										
FMU-32S	200									
-32R										
-34S	400	20	80	-40~+150	1.5	10	50	0.4	31	Full-mold
-34R										
-36S	600									
-36R										

HIGH VOLTAGE RECTIFIER DIODES
(BRIDGE TYPE)

Parts No.	Maximum ratings				Electrical characteristics				Fig. No.	Remarks
	V _{RM} (V)	I _o (A)	I _{FSM} (A)	Tstg (°C)	V _F (V)		I _R (μA)	t _{rr} (μs)		
					max	Condi- tion I _F (A)				
UB-151	100									
-152	200	0.7	15	-45~+140	2.5	1.0	10	0.4	16	
-154	400	No fin								

Fig. 29

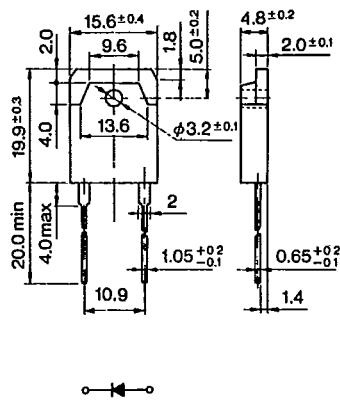


Fig. 30

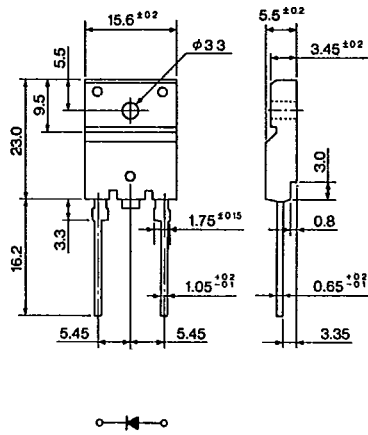


Fig. 31

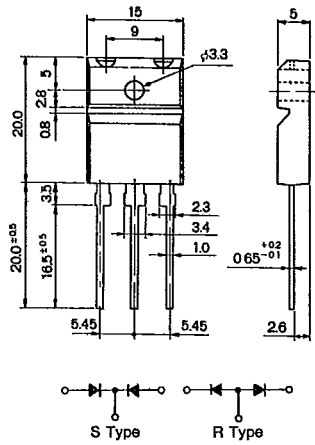


Fig. 32

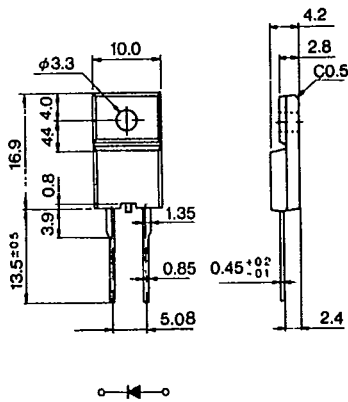


Fig. 33

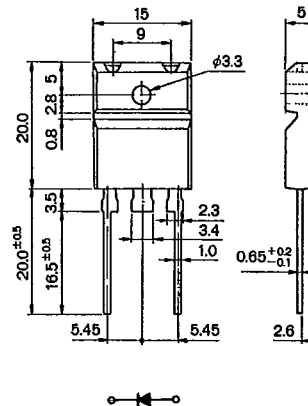


Fig. 34

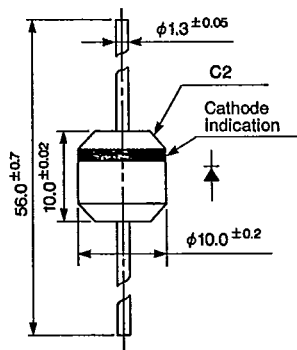


Fig. 35

