

Silicon NPN Power Transistors

BU2508AX

DESCRIPTION

www.datasheet4u.com

- With TO-3PML package
- High voltage
- High speed switching

APPLICATIONS

- For use in horizontal deflection circuits of colour TV receivers

PINNING

| PIN | DESCRIPTION |
|-----|-------------|
| 1 | Base |
| 2 | Collector |
| 3 | Emitter |

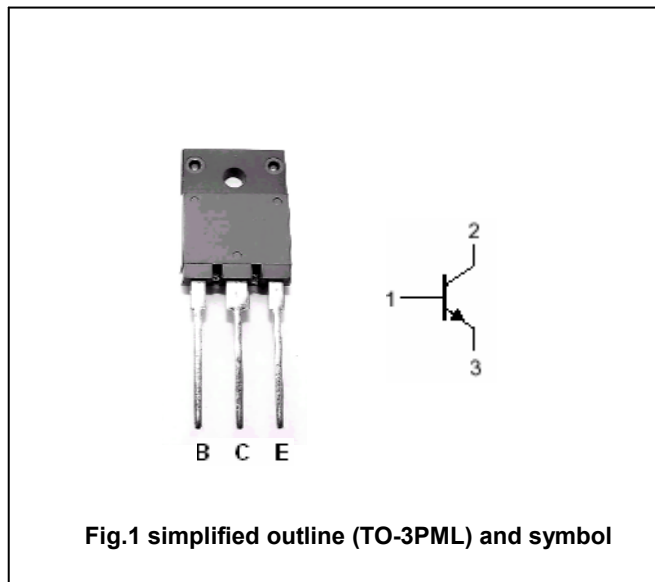


Fig.1 simplified outline (TO-3PML) and symbol

Absolute maximum ratings(Ta=25°C)

| SYMBOL | PARAMETER | CONDITIONS | VALUE | UNIT |
|------------------|---------------------------|----------------------|---------|------|
| V _{CBO} | Collector-base voltage | Open emitter | 1500 | V |
| V _{CEO} | Collector-emitter voltage | Open base | 700 | V |
| V _{EBO} | Emitter-base voltage | Open collector | 7.5 | V |
| I _C | Collector current (DC) | | 8 | A |
| I _{CP} | Collector current (Pulse) | | 15 | A |
| I _B | Base current (DC) | | 4 | A |
| I _{BM} | Base current (Pulse) | | 6 | A |
| P _{tot} | Total power dissipation | T _C =25°C | 45 | W |
| T _j | Junction temperature | | 150 | °C |
| T _{stg} | Storage temperature | | -65~150 | °C |

Silicon NPN Power Transistors

BU2508AX

CHARACTERISTICS

T_j=25°C unless otherwise specified

www.datasheet4u.com

| SYMBOL | PARAMETER | CONDITIONS | MIN | TYP. | MAX | UNIT |
|-----------------------|--------------------------------------|--|-----|------|------------|------|
| V _{CEO(SUS)} | Collector-emitter sustaining voltage | I _C =100mA ; I _B =0, L=25mH | 700 | | | V |
| V _{(BR)EBO} | Emitter-base breakdown voltage | I _E =1mA ; I _C =0 | 7.5 | 13.5 | | V |
| V _{CEsat} | Collector-emitter saturation voltage | I _C =4.5A ; I _B =1.12 A | | | 1.0 | V |
| V _{BEsat} | Base-emitter saturation voltage | I _C =4.5A ; I _B =1.7 A | | | 1.1 | V |
| I _{CES} | Collector cut-off current | V _{CE} =BV _{CES} ; V _{BE} =0 T _C =125°C | | | 1.0 2.0 | mA |
| I _{EBO} | Emitter cut-off current | V _{EB} =7.5V; I _C =0 | | | 1.0 | mA |
| h _{FE-1} | DC current gain | I _C =0.1A ; V _{CE} =5V | | 13 | | |
| h _{FE-2} | DC current gain | I _C =4.5A ; V _{CE} =1V | 4 | 5.5 | 7.0 | |
| C _C | Collector capacitance | V _{CB} =10V; I _E =0; f=1.0MHz | | 80 | | pF |

Silicon NPN Power Transistors

BU2508AX

PACKAGE OUTLINE

www.datasheet4u.com

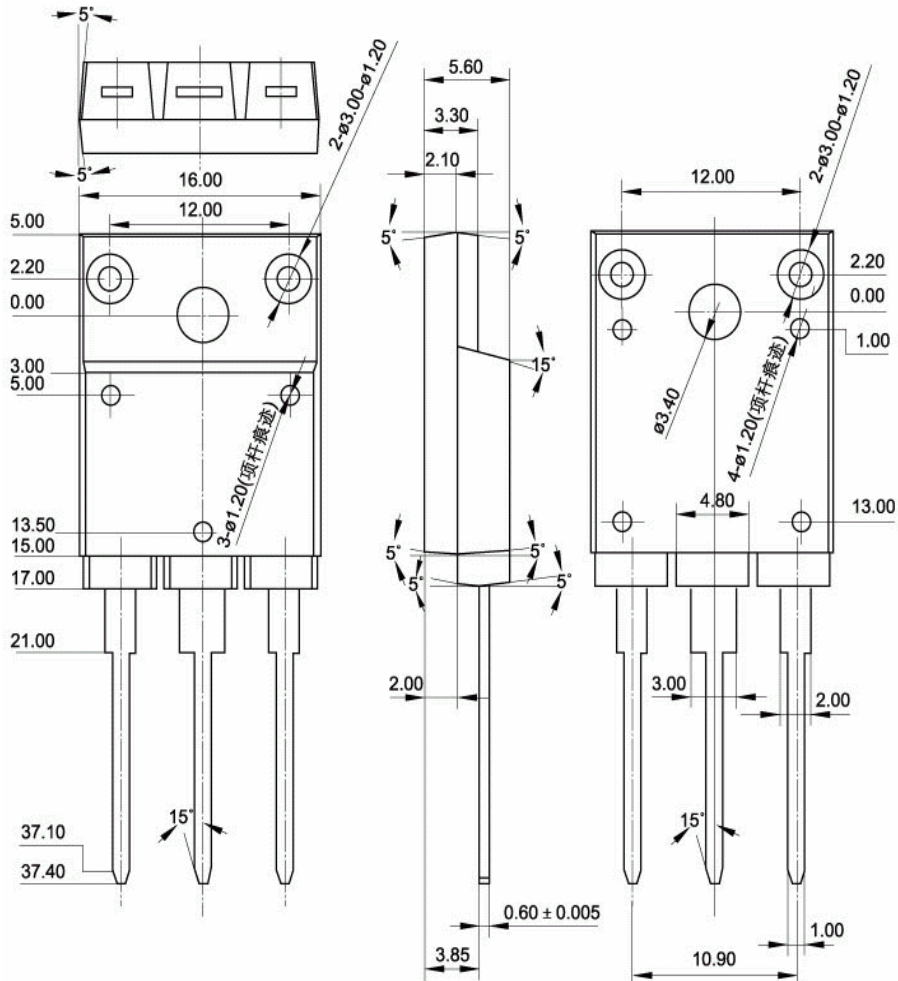


Fig.2 Outline dimensions